



COCO[®]
— Since 1992 —



GUANGDONG ZHIRU TECHNOLOGY CO.,LTD.
Add: Fuqing industrial Zone,Waima Road,Guxiang,Chaoan
服务热线:400-1199-432 售后热线 : 400-777-0022
电话: +86-768-6933555
Http: //www.cn-coco.com
E-mail: webmaster@zhiru.com

匠心制造 全球共享
LIFE SERVICE
BATHROOM

Since 1992

COCO[®]

COCO[®]
– Since 1992 –

Guangdong ZHIRU Technology Co.,Ltd. established from year 1992, located in Guxiang town which is the top 1 town for producing sanitary wares in China. It is one of the largest manufacturers of sanitary wares in Chaozhou, Guangdong. It's a joint venture starting with technology, research, development, sales and services.

Our company adopts German production technology, with innovative Italian style design, excellent quality, and reliable functions, to manufacture products that integrate the four major elements of "art, environmental protection, technology, and service". The products are sold worldwide and have exported to Middle East, South America, Africa, East European and South East Asia, ect. which is greatly favored by consumers at home and abroad.

Company Profile

**Total Bathroom
Expert**

Professional



DEVELOPMENT



高新技术企业
High-Tech Enterprises



沙特阿拉伯标准组织认证
Saudi Arabian Standards
Organization



国际标准化组织
International Organization for
Standardization



中国质量标志认证
China Quality Mark
Certification

HISTORY

1992

创建HL

SET UP AND BUILD A FACTORY

ZHIRU BUILDING CERAMICS CO., LTD. established from year 1992, located in Guixiang,潮州市植如建筑陶瓷有限公司正式成立，位于古巷。

新领域新征程

SERVICE CREATES A NEW JOURNEY

We are using high-quality brands,加大产能，投建智能厂房，专注智能马桶研发生产。

高新技术企业

HIGH-TECH ENTERPRISES

Build a brand intelligent modern enterprise, Take the development of science and technology as the driving force,以科技发展为推动力，打造品牌化智能化现代企业。

诚信企业，优质品牌

GOOD FAITH ENTERPRISE, HIGH QUALITY BRAND

Won the title of "big taxpayer" for many years in a row,连续多年荣获“纳税大户”称号。

信用企业

CREDIT ENTERPRISE

Won the contract-obiding and trustworthy enterprise in Guangdong Province for 13 years in a row,连续十三年荣获广东省守合同重信用企业。

知名国际

FAMOUS INTERNATIONAL

Won the recommendation certificate of international well-known brand green building ceramics,荣获国际知名品牌绿色建筑陶瓷推荐证书。

名扬四海

FAMOUS ALL OVER THE WORLD

He also won the title of Chinese well-known brand "Chinese famous brand" be appraised as "Top Ten Enterprises" by authoritative Media,被权威媒体评为“十大风云企业”，又喜获“中国驰名商标”、“中国著名品牌”等称号。

名利双赢

WIN-WIN FOR FAME AND FORTUNE

Covering the whole country and winning the Chinese market has won high praise from foreign businessmen,销售区域覆盖全国回鼎中国市场，赢得国内外客户普遍好评。

2024

2022

2018

2008

2006

2003

1999

2023

2020

2012

2007

2004

2001

1994

自动化技术升级

REGROUP AND CREATE RESPLENDECE

Pioneering and innovating production technology, officially renamed "Guangdong Zhiru Technology Co., Ltd." 开拓创新生产技术，正式更名为“广东植如科技有限公司”。

蓄势待发

TACTICAL FIRE

At present, overcome the obstacles and improve the brand service,疫情当前克服阻碍提升品牌服务。

畅欧卫浴

CHANGOU SANITARY WARE

Won the top ten engineering bathroom brands in China,荣获中国十大工程卫浴品牌。

激情二创

PASSIONATE AND CREATIVE

Further international expansion to build international brands,进一步国际扩张，打造国际品牌。

进军世界

MARCHING INTO THE WORLD

COCO Sanitary Ware Store lives in Dubai, the luxury capital of the world, 开启世界COCO世界之窗 - COCO卫浴专卖店入驻世界豪华之都迪拜。

资质荣誉

QUALIFICATION AND HONOR

Products of reliable quality,荣获“中国名优优品”、“中国优秀绿色环保产品”、质量信得过产品。

稳扎稳打

PLAY STEADILY AND STEADILY

Introduce the message cylinder to set up the export department to participate in the international vertical and horizontal world,引进按摩缸成立出口部参与国际纵横世界。



COCO sanitary ware always meets the high-grade requirements of customers all over the world in the field of sanitary ware with excellent product value and stable product quality.

COCO卫浴始终以优质的产品价值和稳定的产品质量，满足世界各地客户在卫浴领域的高品位要求。公司以“诚实赢得信誉，质量创造品牌”的宗旨，善于吸收和消化国内外同行先进的科研技术创新理念和营销管理模式，并运用到企业的日常运作和管理中去。



We use first-class high-pressure molding equipment, the firing temperature is strictly controlled above 1280 degrees, to ensure that the water absorption of each product is less than 0.2%. Toilet testing is more stringent, and each toilet is not only tested in terms of appearance, fixation, flushing and PP/PE sewerage functions, but also must pass a rigorous leak test.

我们使用先进的高压成型设备，严格控制烧制温度在1280度以上，确保每件产品的吸水率都小于0.2%马桶测试更为严格。每款马桶不仅要经过外观、成型、冲水和PP/PE排污接口测试，还要通过严格的漏水测试。



PRODUCTION BASES

L I F E S E R V I C E B A T H R O O M

ANTI-ODOR WATER SEAL

Anti-odor Isolation Bacteria



Full Pipe Glazing

Scientific
Water Seal

4 inch Large
Pipeline



SASO

s a b e r

Executing Standard:ISO9001/2015
Quality management systems-Requirements

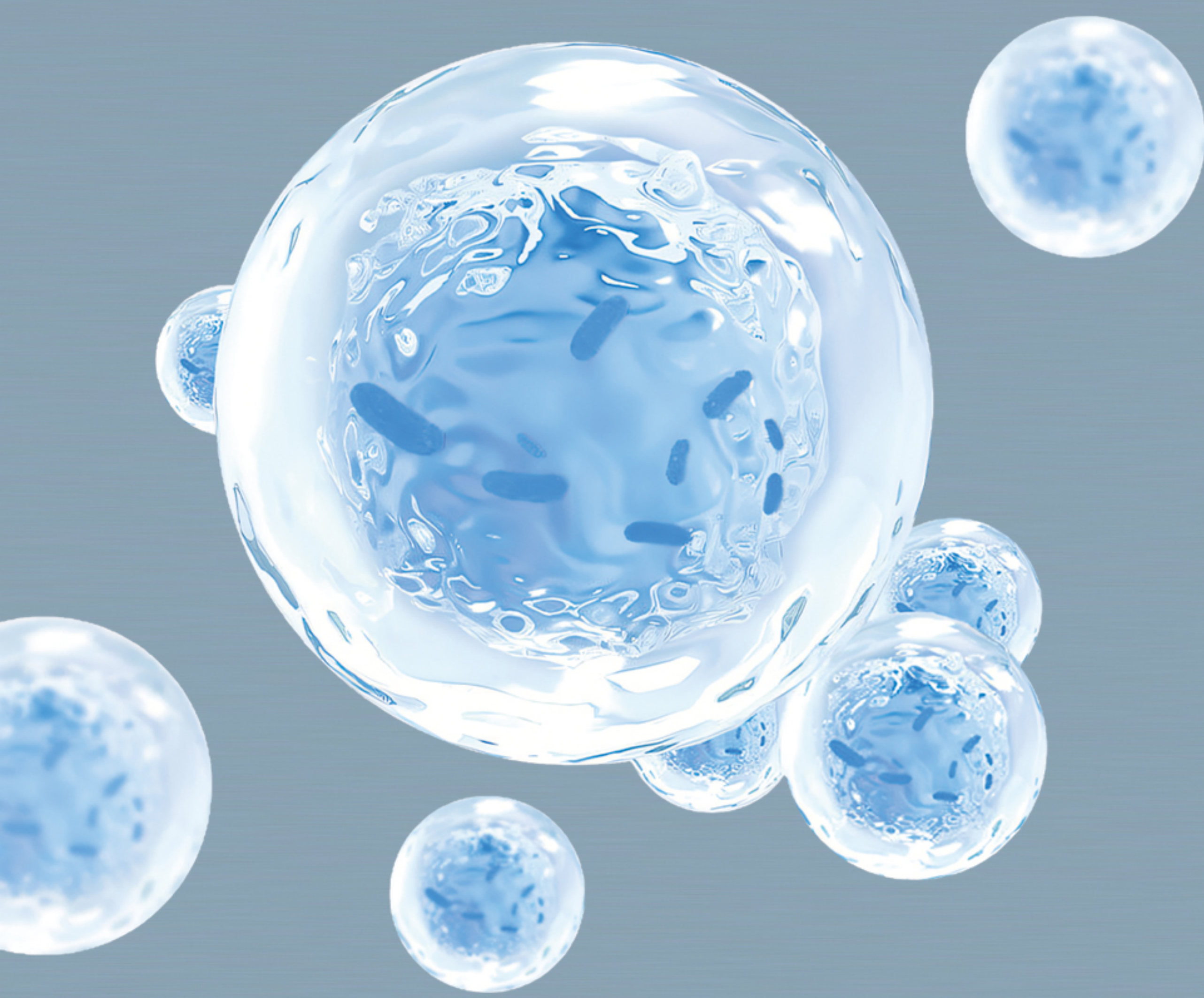
It enhances self-cleaning at the same time effectively reduce radiation. Professional glaze filtration technology, 100% glaze inspection records, and mature glaze technology of skilled workers make the glaze layer more uniform and product surface smoother, which is beneficial for anti-pollution and cleaning.

增强自洁功能的同时，有效地降低了辐射。专业的釉料过滤技术，100%的釉料检验记录，以及熟练工人成熟的釉料技术使釉层更加均匀，产品表面更加光滑，有利于防污染和清洁。



Total Hygiene. Tested and certified for guaranteed 99.99% antibacterial action.

严格经过专业权威机构相关测试认证，陶瓷釉面抗菌率高达99.99%。

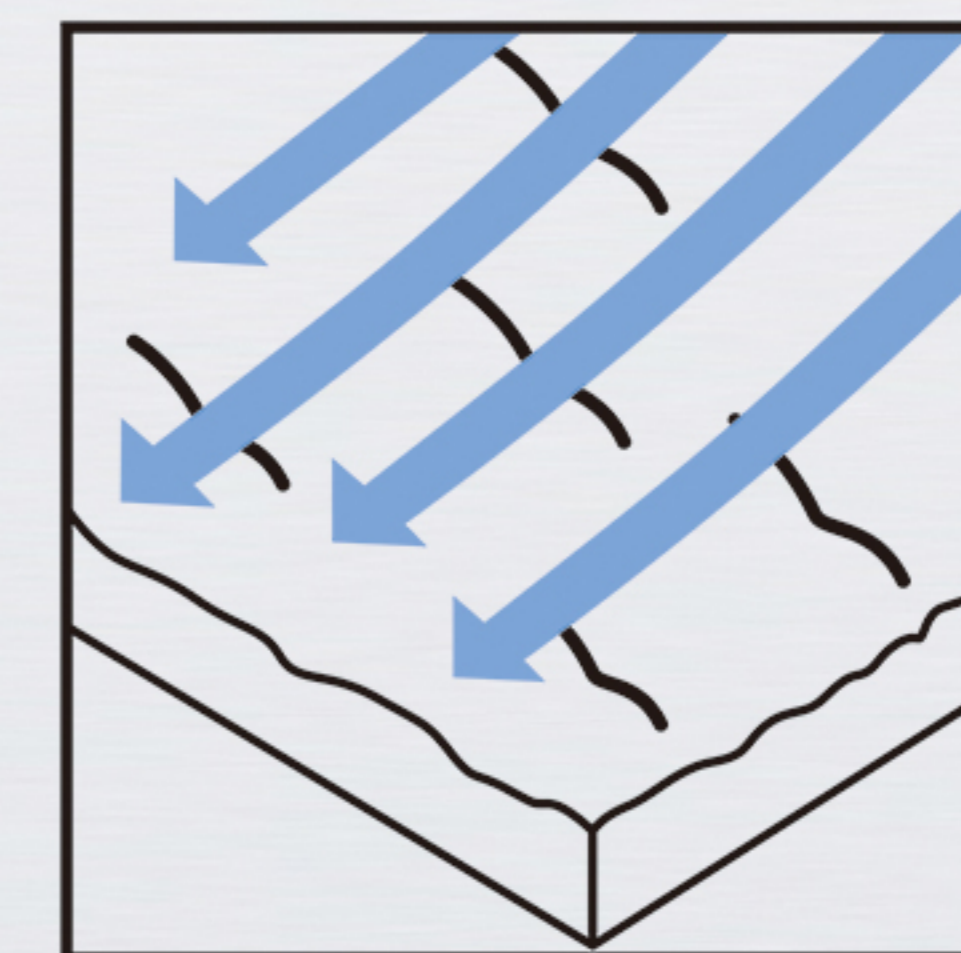


抗菌智洁釉面 Antibacterial Ceramic Glaze





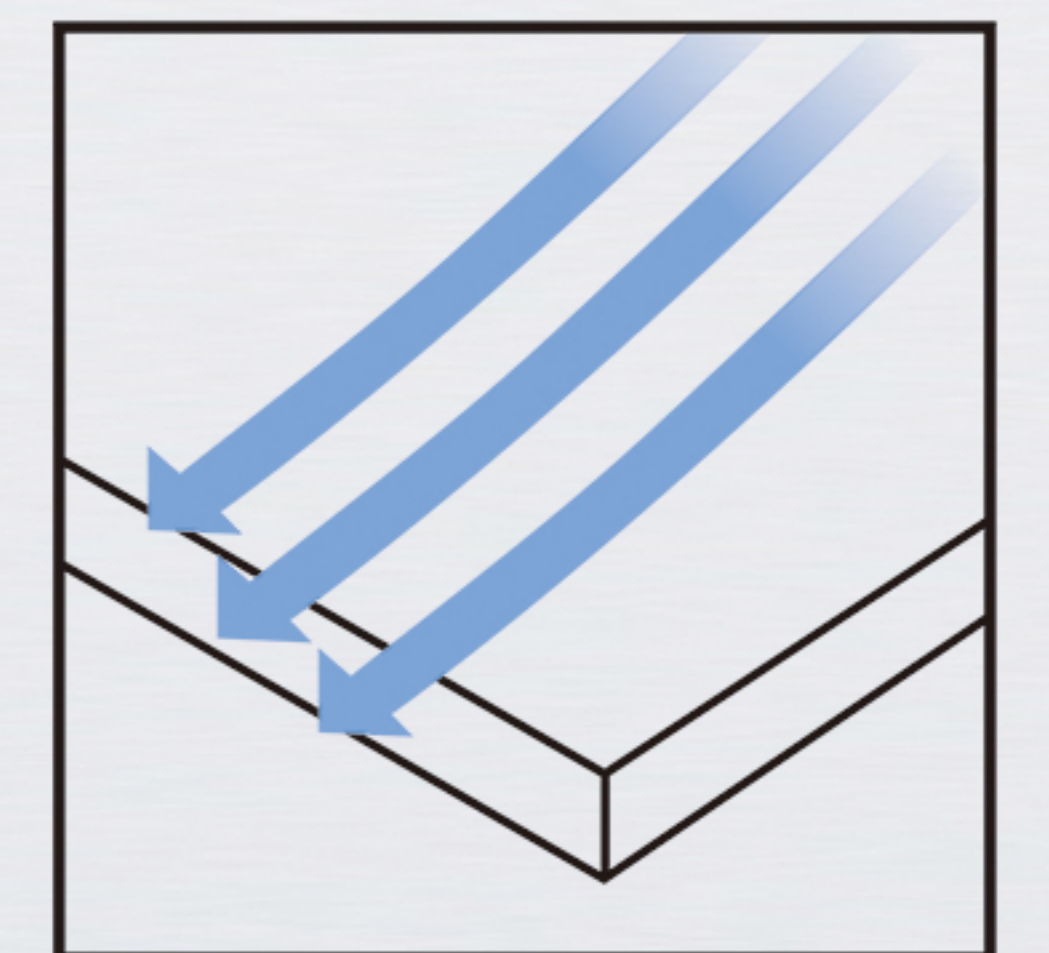
**ORDINARY CERAMIC
GLAZE 普通陶瓷釉**



Traditional ceramic
glaze surface under
microscope

传统陶瓷釉在显下显微镜
下显微腐蚀

**CRYSTAL GLAZE
纳米微晶釉**



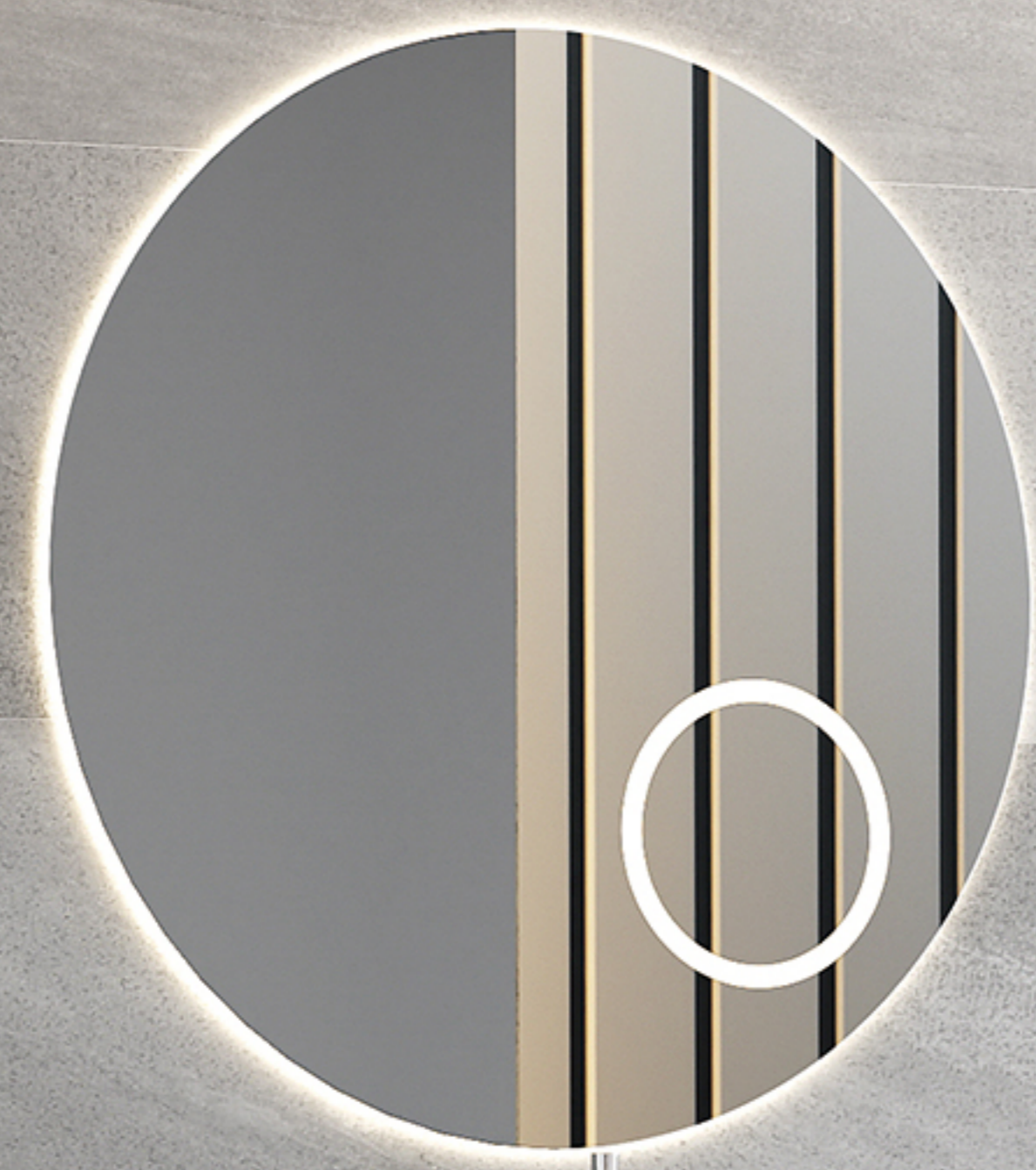
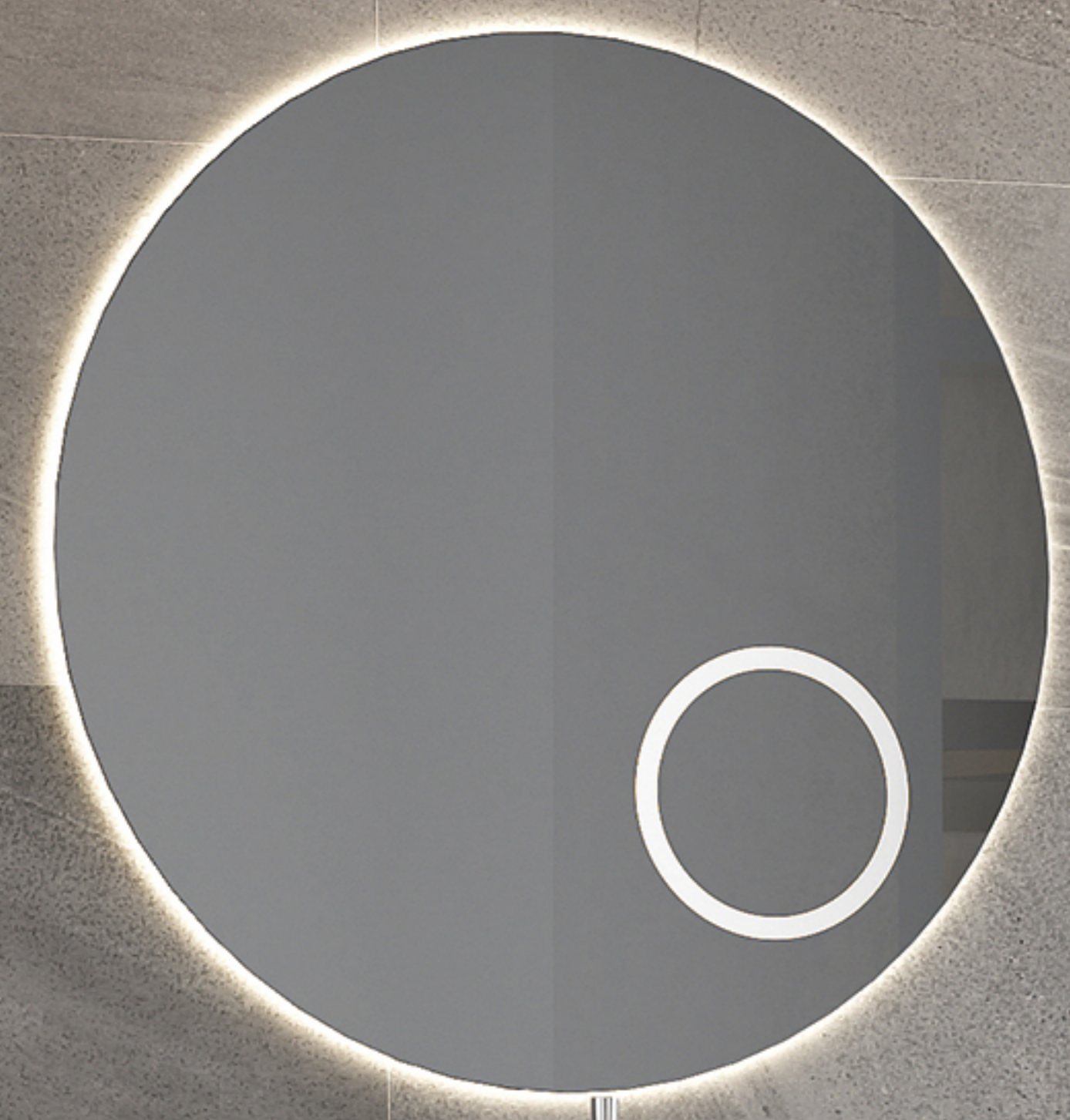
Crystal glaze ceramic
glaze surface under
microscope

高温光泽陶瓷釉

釉面经高温煅烧，形成高度玻璃化，使表面光亮细腻，易清洗，持久如新。

The glazed surface is calcined at high temperature to form a high degree of vitrification, so that the surface is bright and delicate, easy to clean, and lasting as new.

EASY TO CLEAN



Model: **902**



Model: **6171**

Artistic *fashion*

Heavenly Craftsmanship, Elegant interpretation



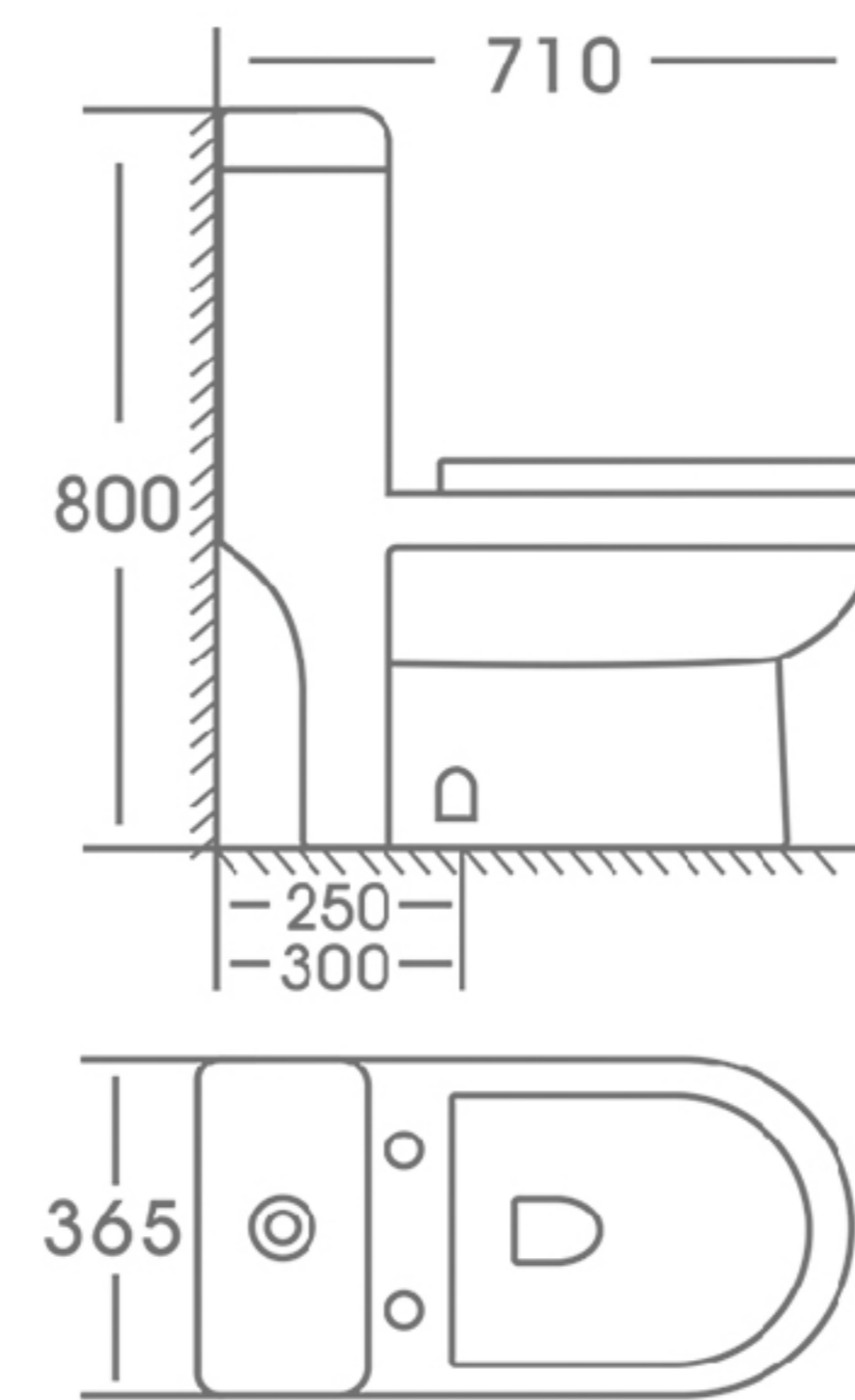
6171

Washdown one piece Closet

- Size: 710x365x800mm
- Vitreous china
- S-trap, 250/300mm Roughing-in
- P-trap, 180mm Roughing-in

直冲式连体坐便器

- 尺寸：710x365x800毫米
- 瓷质陶瓷
- 地排，排污口中心离墙250/300毫米
- 横排，排污口中心离墙180毫米



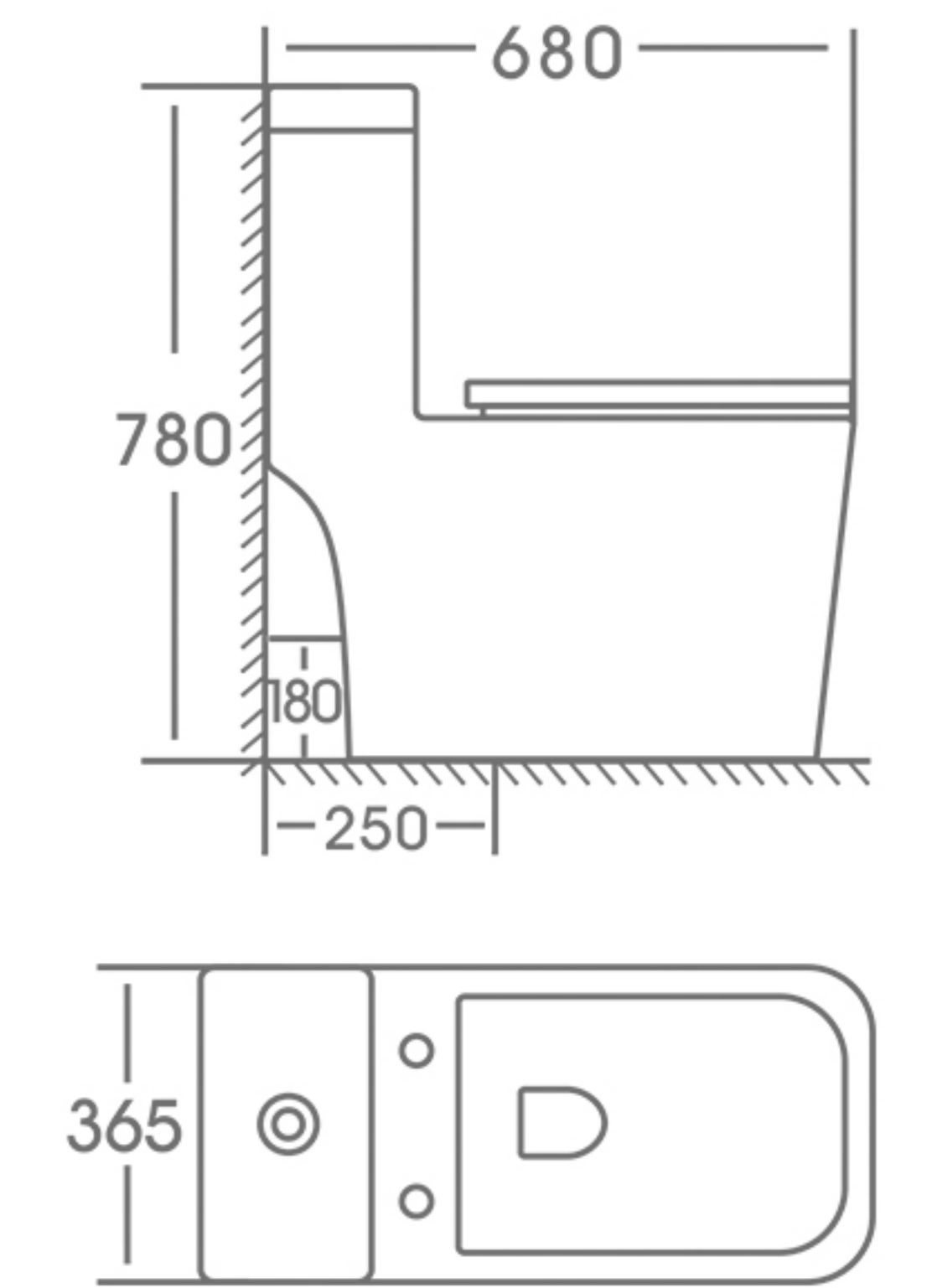
6264

Washdown one piece Closet

- Size: 680x365x780mm
- Vitreous china
- S-trap, 250mm Roughing-in
- P-trap, 180mm Roughing-in

直冲式连体坐便器

- 尺寸：680x365x780毫米
- 瓷质陶瓷
- 地排，排污口中心离墙250毫米
- 横排，排污口中心离墙180毫米



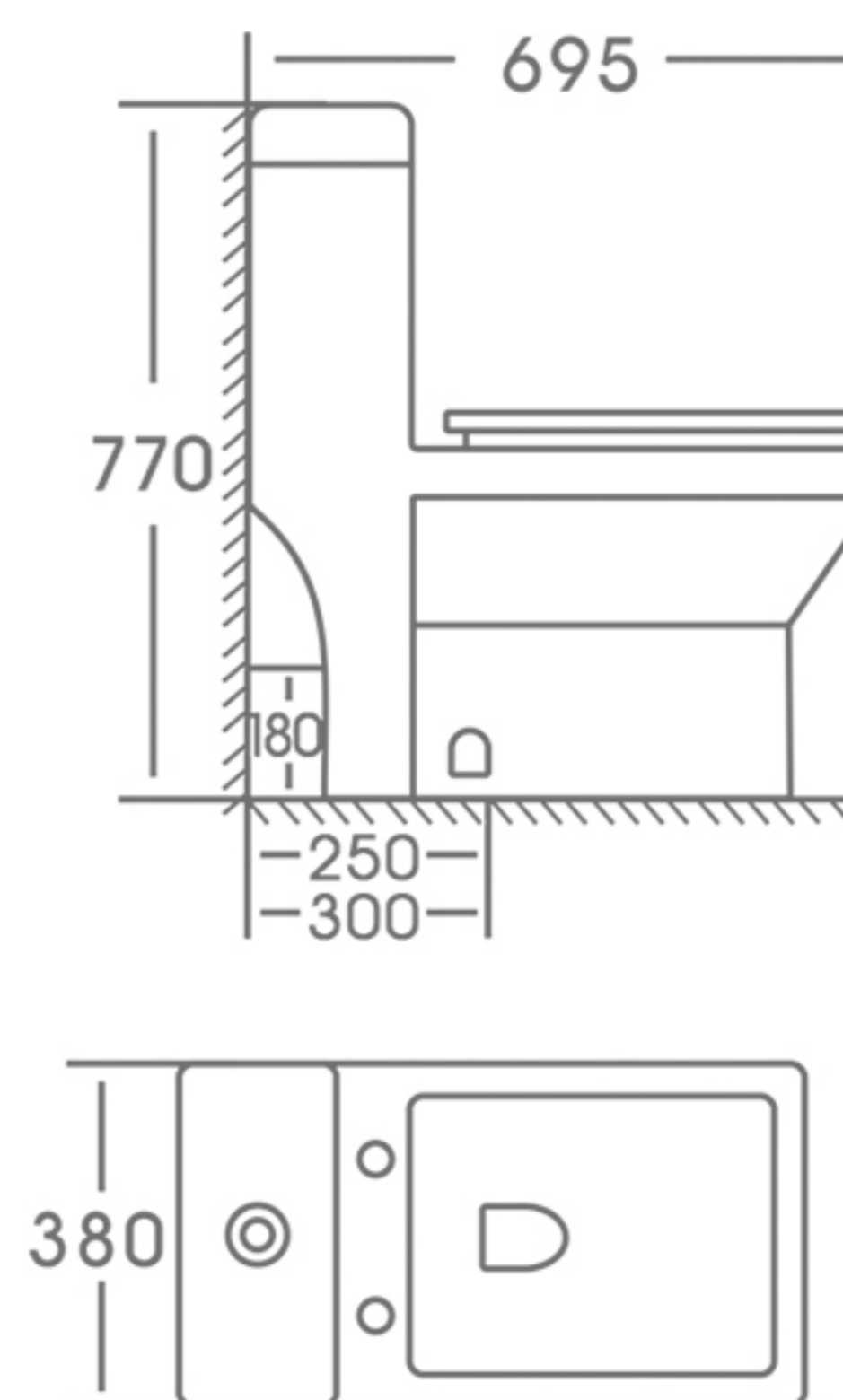
6184

Washdown one piece Closet

- Size: 695x380x770mm
- Vitreous china
- S-trap, 250/300mm Roughing-in
- P-trap, 180mm Roughing-in

直冲式连体坐便器

- 尺寸：695x380x770毫米
- 瓷质陶瓷
- 地排，排污口中心离墙250/300毫米
- 横排，排污口中心离墙180毫米



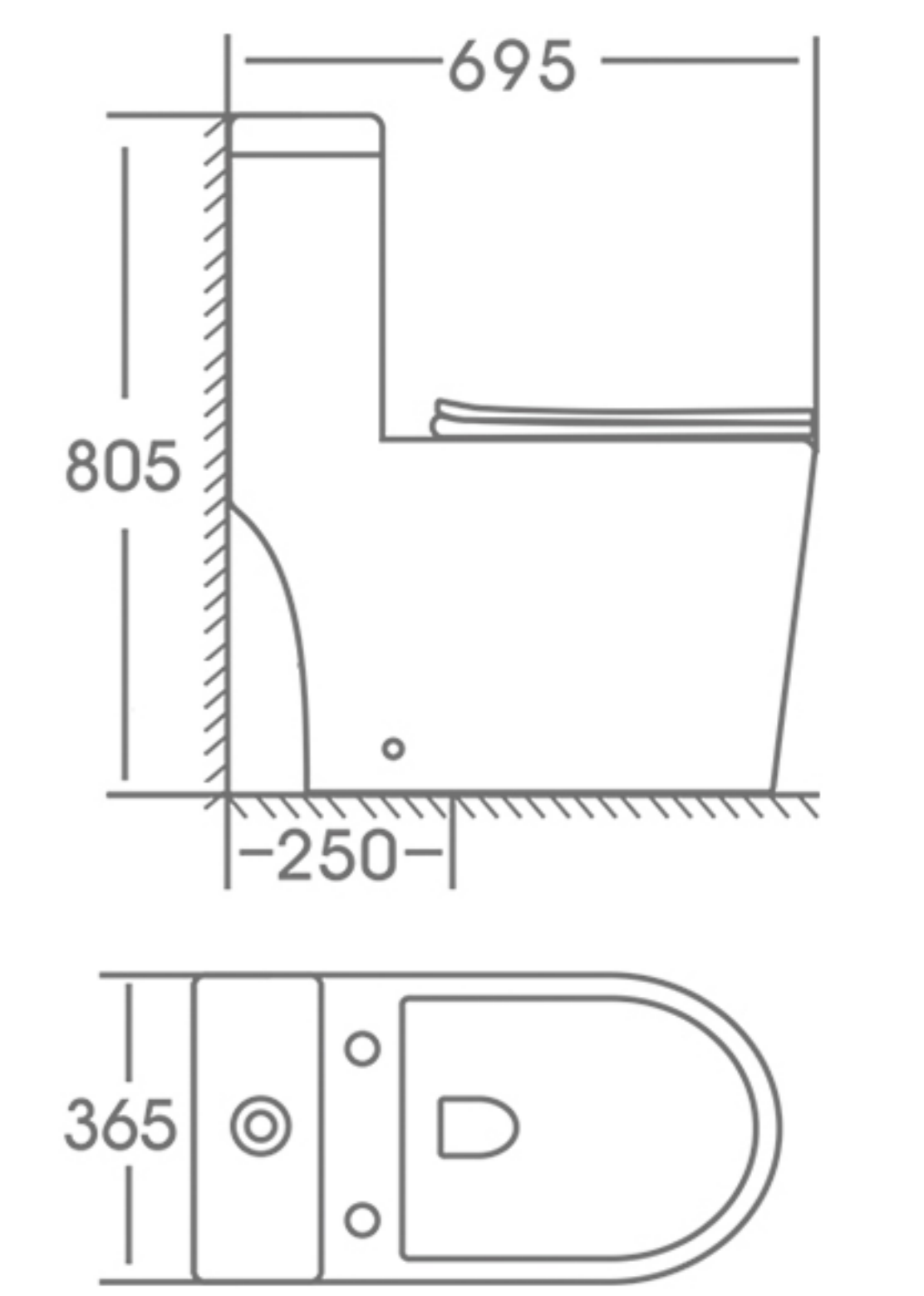
6288

Washdown one piece closet

- Size: 695x365x805mm
- Vitreous china
- S-trap, 250mm Roughing-in

直冲式连体坐便器

- 尺寸：695x365x805毫米
- 瓷质陶瓷
- 地排，排污口中心离墙250毫米



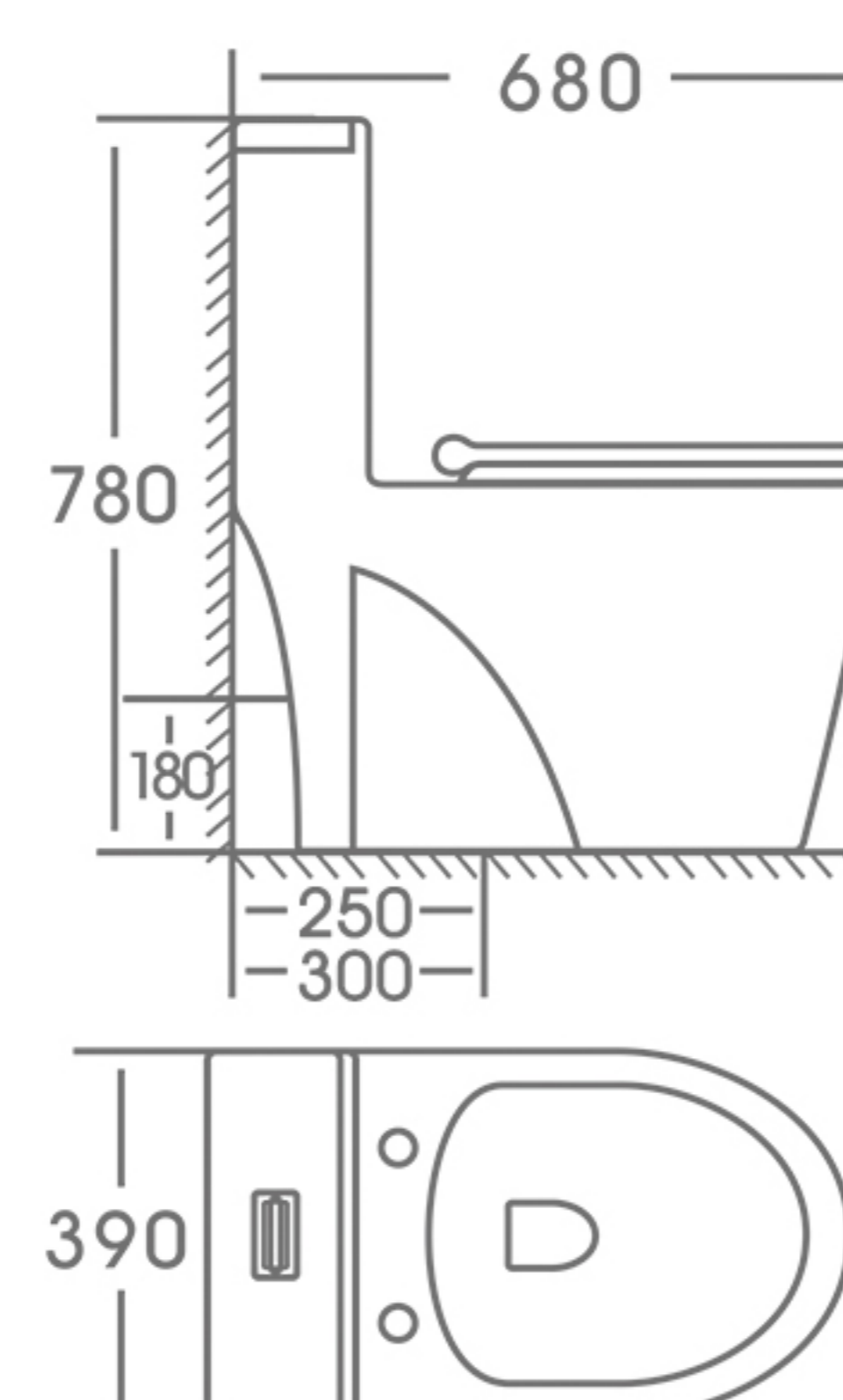
6224

Washdown One piece Closet

- Size: 680x390x780mm
- Vitreous china
- S-trap, 250/300mm Roughing-in
- P-trap, 180mm Roughing-in

直冲式连体坐便器

- 尺寸：680x390x780毫米
- 瓷质陶瓷
- 地排，排污口中心离墙250/300毫米
- 横排，排污口中心离墙180毫米



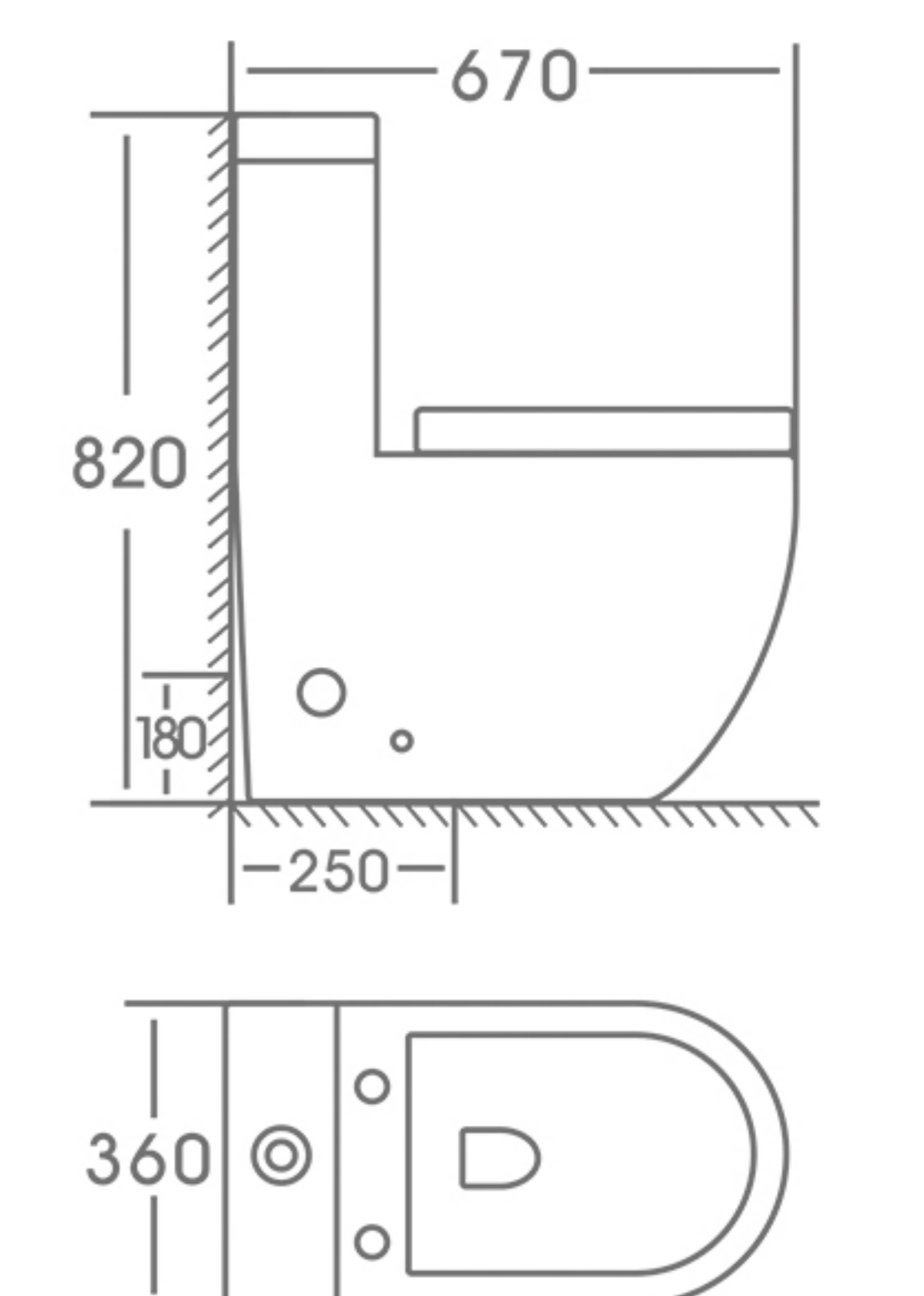
6299

Washdown one piece closet

- Size: 670x360x820mm
- Vitreous china
- S-trap, 250mm Roughing-in
- P-trap, 180mm Roughing-in

直冲式连体坐便器

- 尺寸：670x360x820毫米
- 瓷质陶瓷
- 地排，排污口中心离墙250毫米
- 横排，排污口中心离墙180毫米





Model: 6184



Model: 901

Texture Beautiful

Feel the freshness and beauty of bathroom time

COCO®
— Since 1992 —



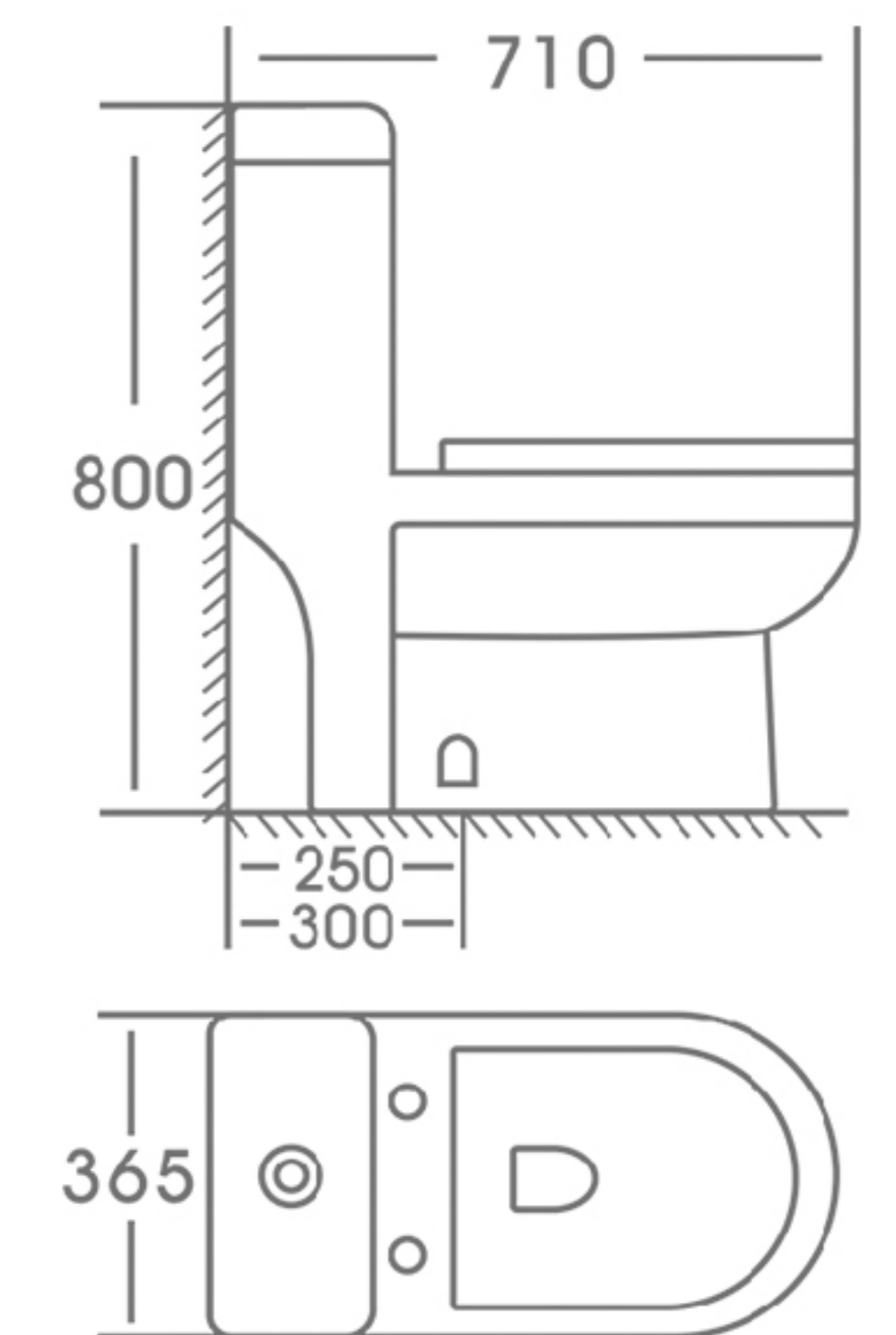
6171

Washdown one piece Closet

- Size: 710x365x800mm
- Vitreous china
- S-trap, 250/300mm Roughing-in
- P-trap, 180mm Roughing-in

直冲式连体坐便器

- 尺寸：710x365x800毫米
- 瓷质陶瓷
- 地排，排污口中心离墙250/300毫米
- 横排，排污口中心离墙180毫米



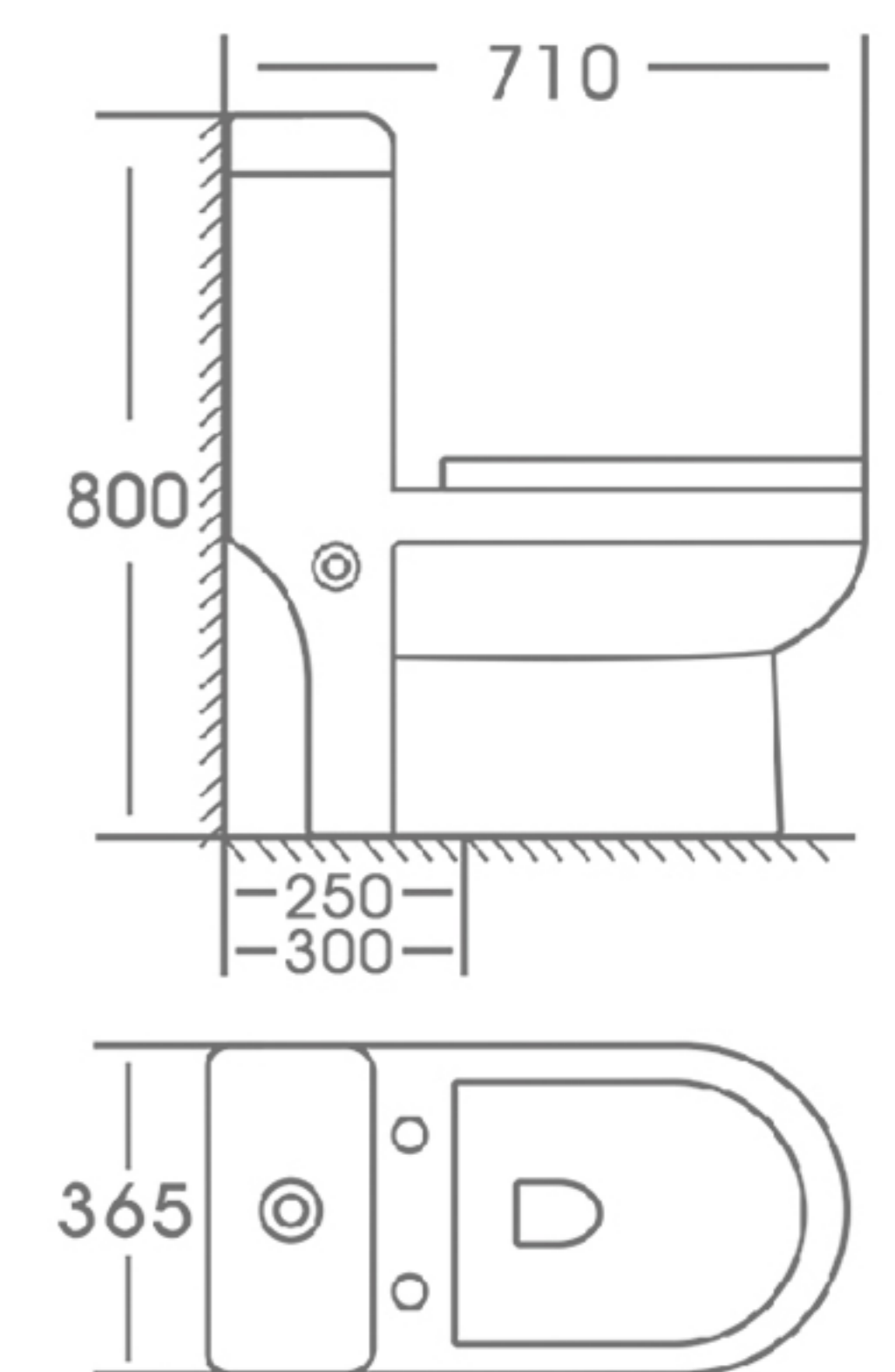
6171B

Washdown one piece (wc with bidet)

- Size: 710x365x800mm
- Vitreous china
- S-trap, 250、300mm Roughing-in
- P-trap, 180mm Roughing-in

直冲式连体坐便器 (带妇洗功能)

- 尺寸：710x365x800毫米
- 瓷质陶瓷
- 地排，排污口中心离墙250/300毫米
- 横排，排污口中心离墙180毫米



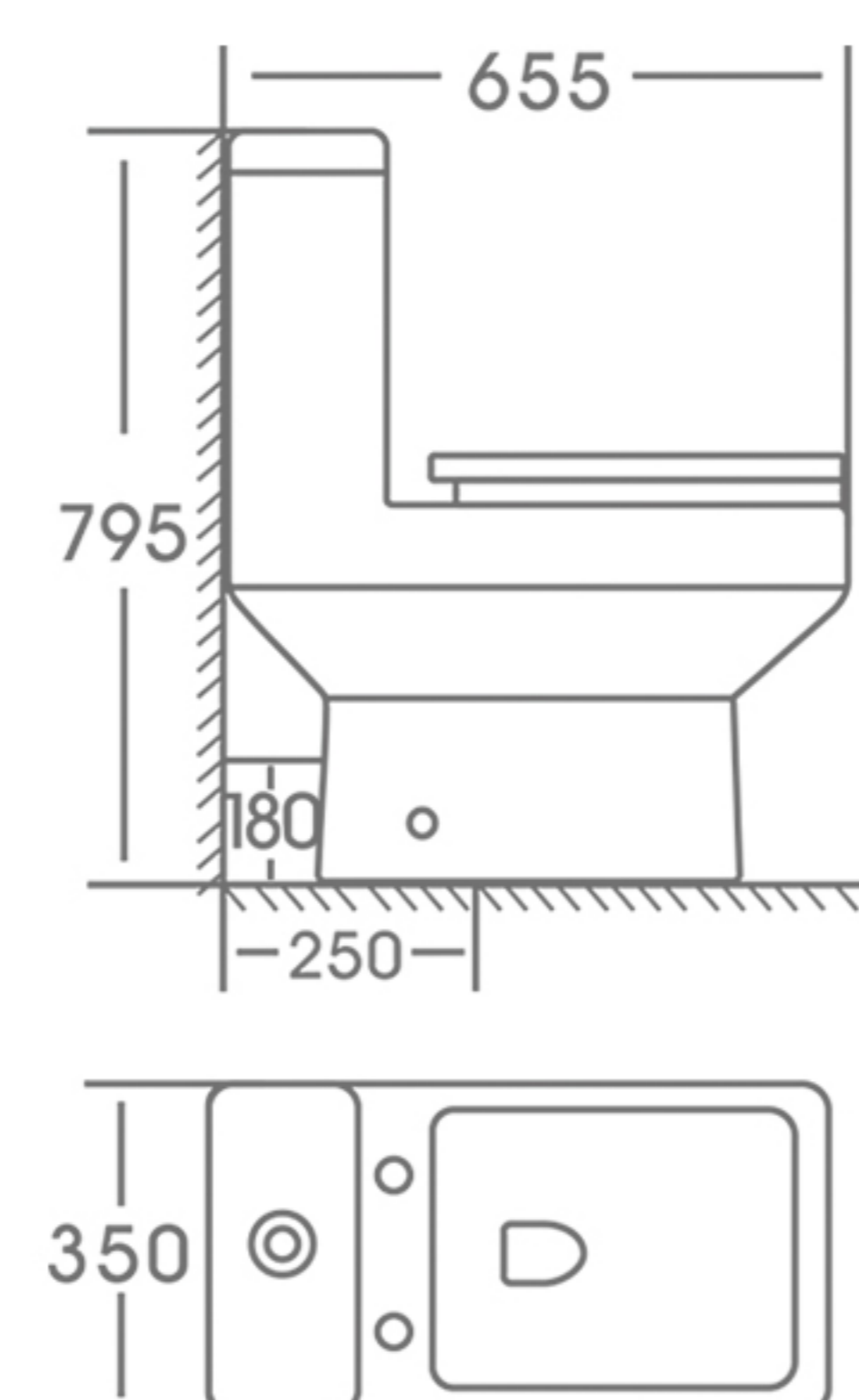
6130

Washdown One-piece Closet

- Size: 655x350x795mm
- Vitreous china
- S-trap, 250mm Roughing-in
- P-trap, 180mm Roughing-in

直冲式连体坐便器

- 尺寸：655x350x795毫米
- 瓷质陶瓷
- 地排，排污口中心离墙250毫米
- 横排，排污口中心离地180毫米



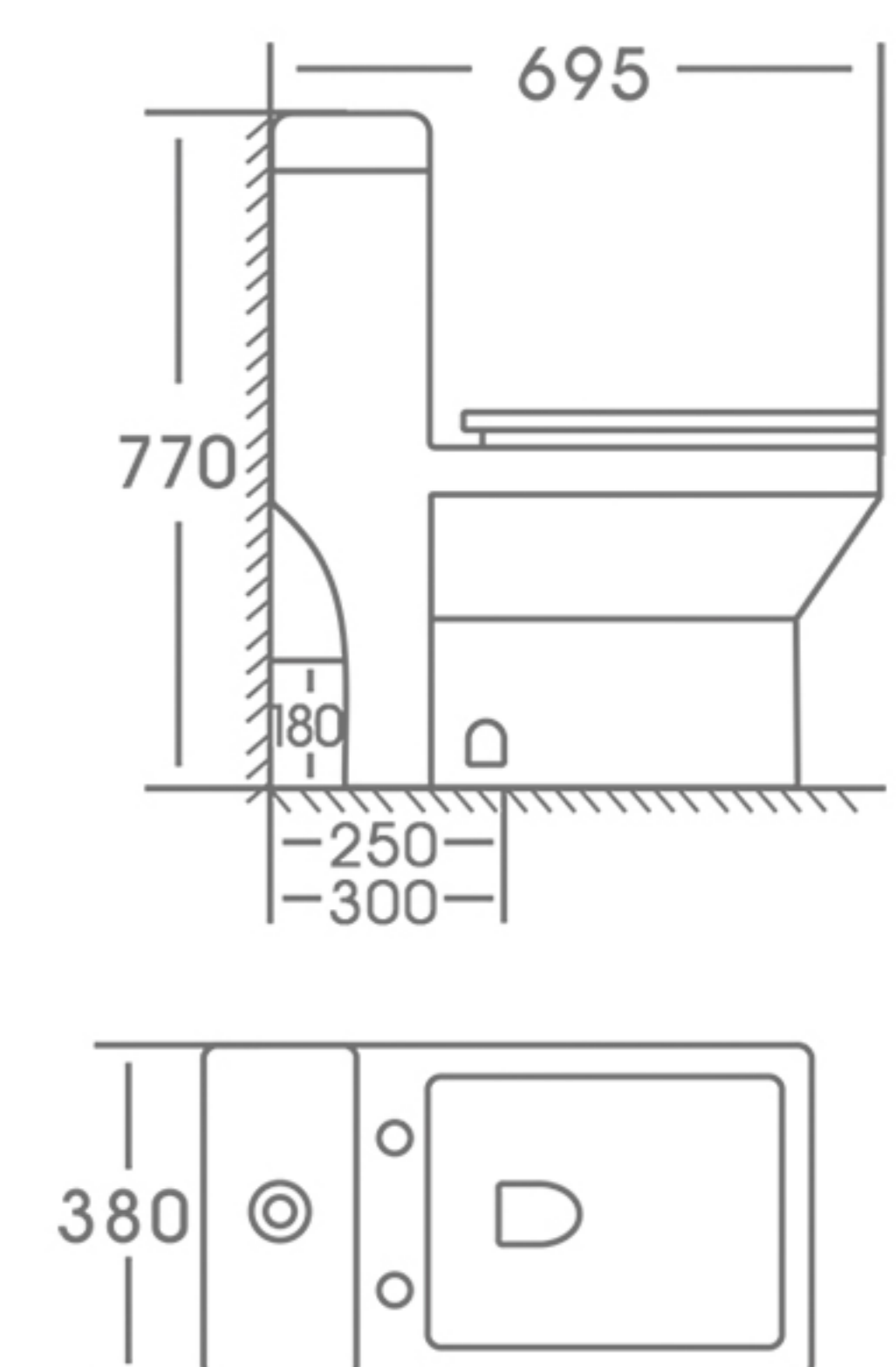
6184

Washdown one piece Closet

- Size: 695x380x770mm
- Vitreous china
- S-trap, 250、300mm Roughing-in
- P-trap, 180mm Roughing-in

直冲式连体坐便器

- 尺寸：695x380x770毫米
- 瓷质陶瓷
- 地排，排污口中心离墙250/300毫米
- 横排，排污口中心离墙180毫米





Model: **6264**

Model: **909**

Ideal Life Sanitary Expert



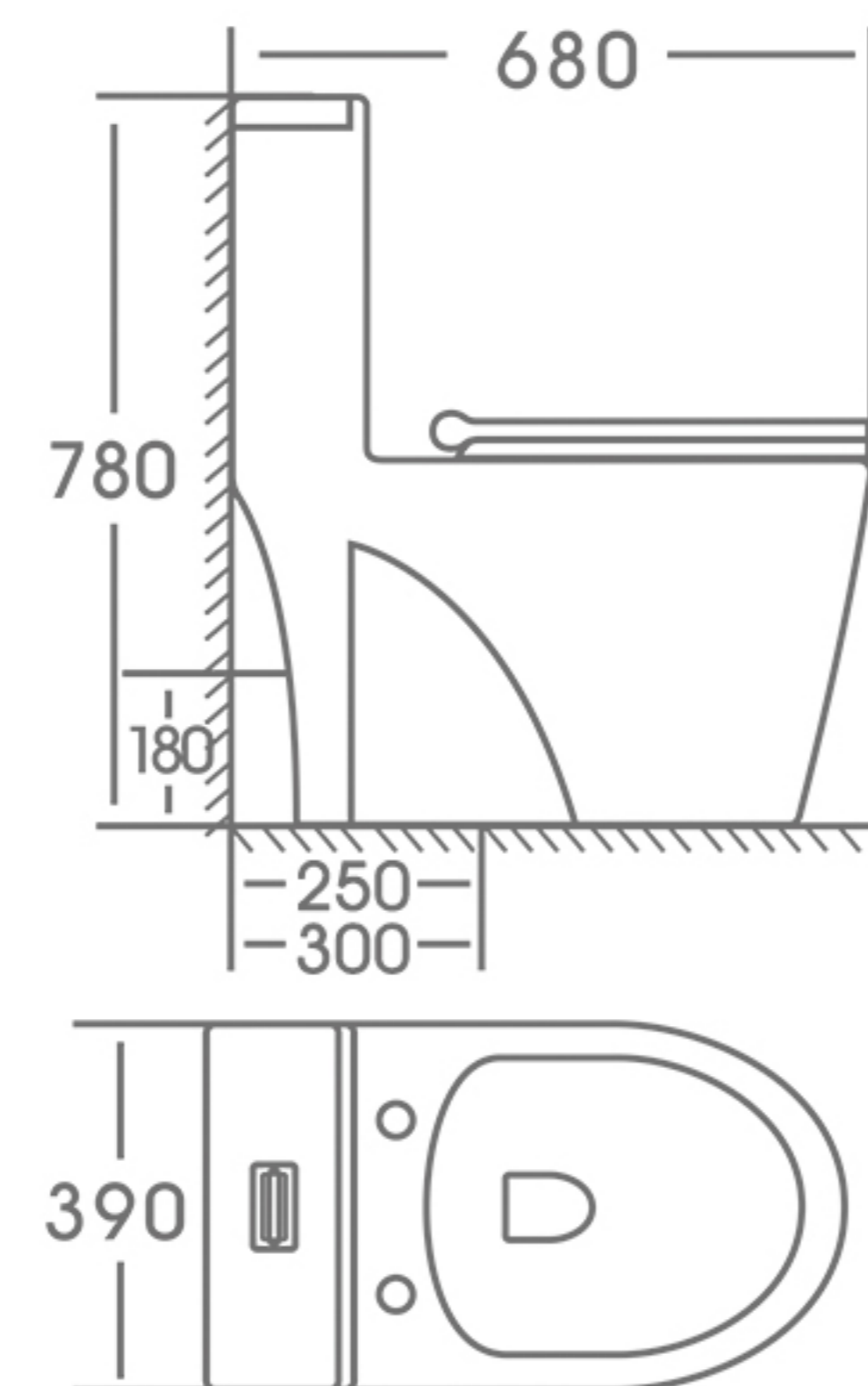
6224

Washdown One piece Closet

- Size: 680x390x780mm
- Vitreous china
- S-trap, 250/300mm Roughing-in
- P-trap, 180mm Roughing-in

直冲式连体坐便器

- 尺寸：680x390x780毫米
- 瓷质陶瓷
- 地排，排污口中心离墙250/300毫米
- 横排，排污口中心离墙180毫米



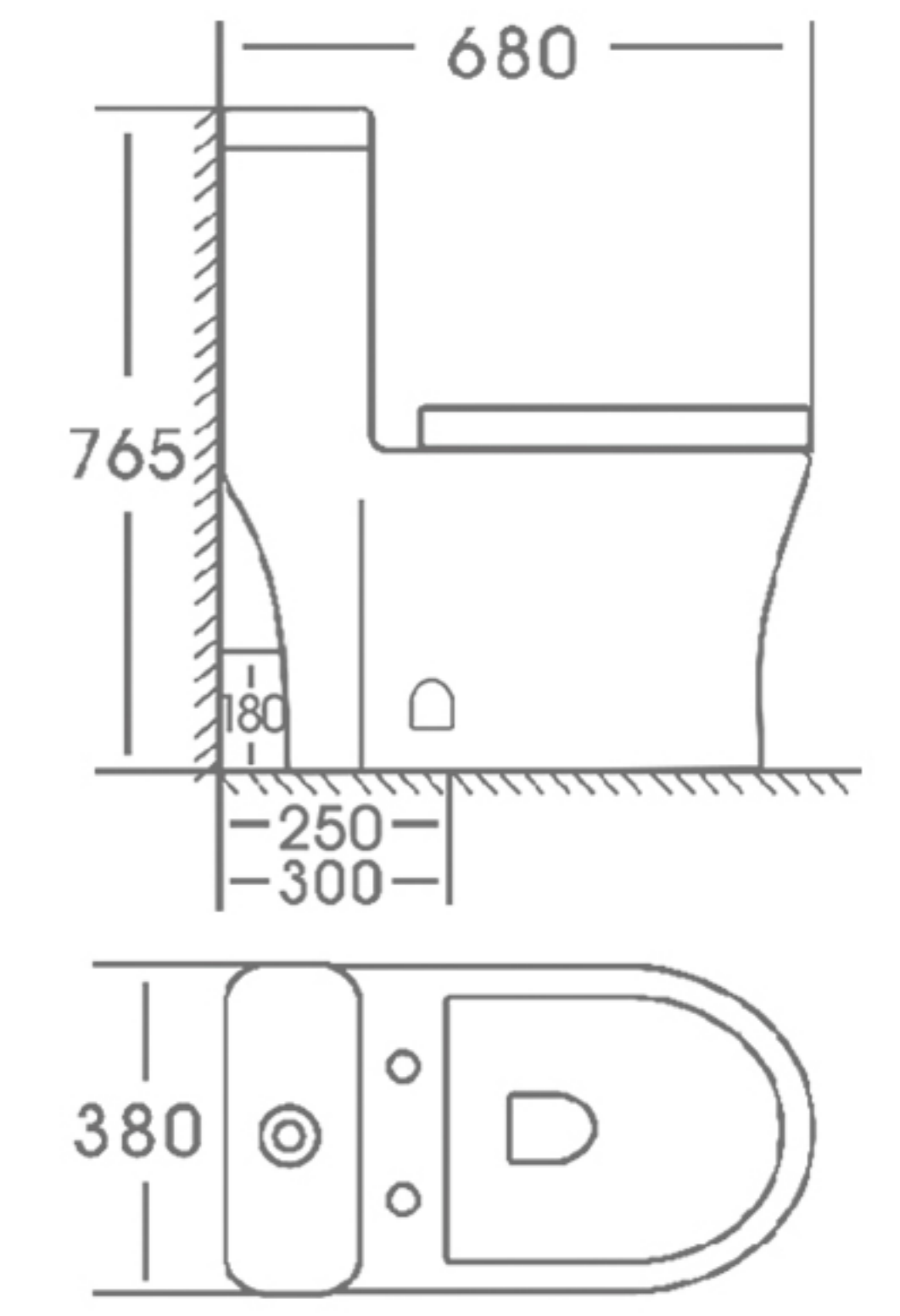
6274

Washdown one piece closet

- Size: 680x380x765mm
- Vitreous china
- S-trap, 250/300mm Roughing-in
- P-trap, 180mm Roughing-in

直冲式连体坐便器

- 尺寸：680x380x765毫米
- 瓷质陶瓷
- 地排，排污口中心离墙250/300毫米
- 横排，排污口中心离墙180毫米



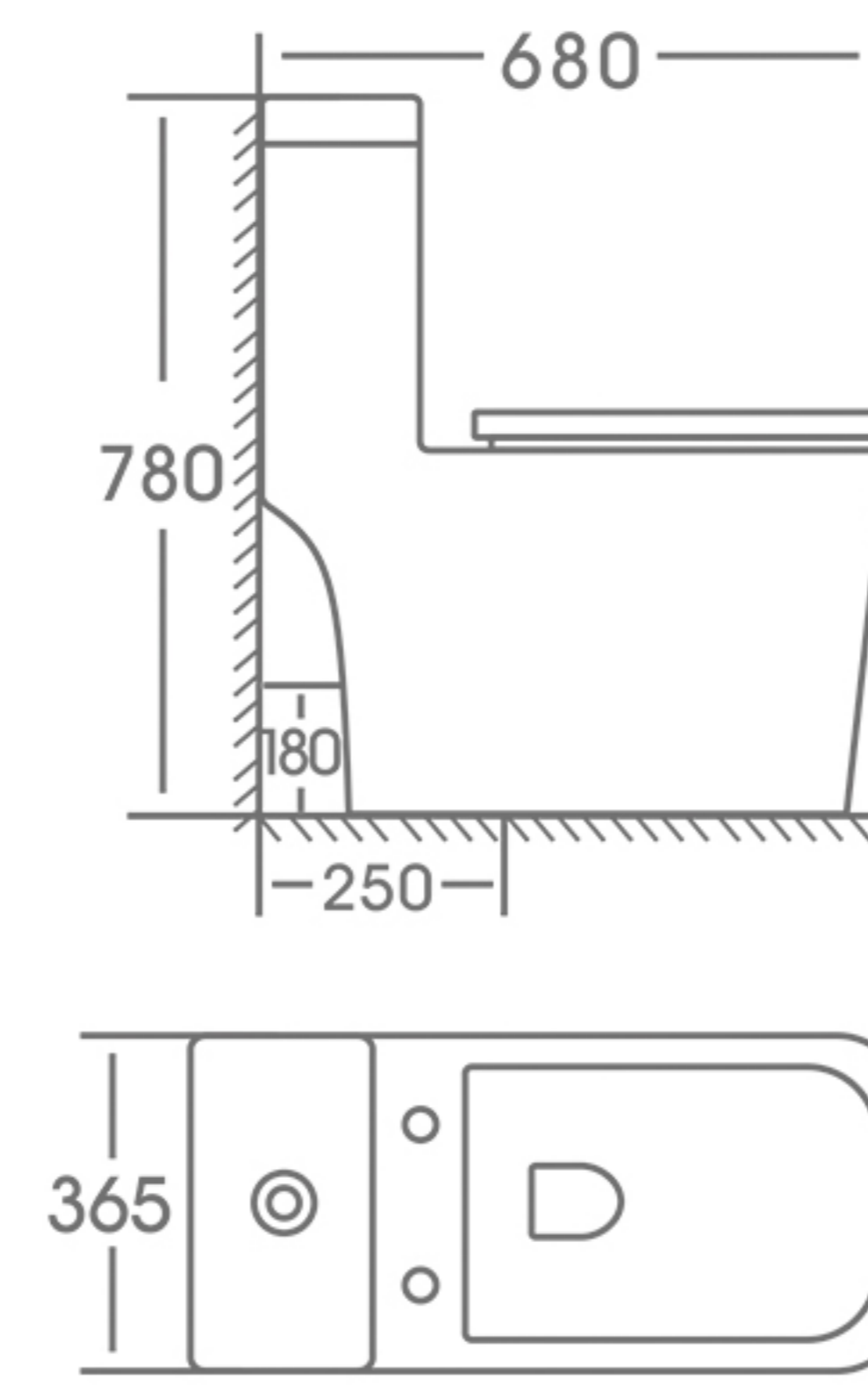
6264

Washdown one piece Closet

- Size: 680x365x780mm
- Vitreous china
- S-trap, 250mm Roughing-in
- P-trap, 180mm Roughing-in

直冲式连体坐便器

- 尺寸：680x365x780毫米
- 瓷质陶瓷
- 地排，排污口中心离墙250毫米
- 横排，排污口中心离墙180毫米



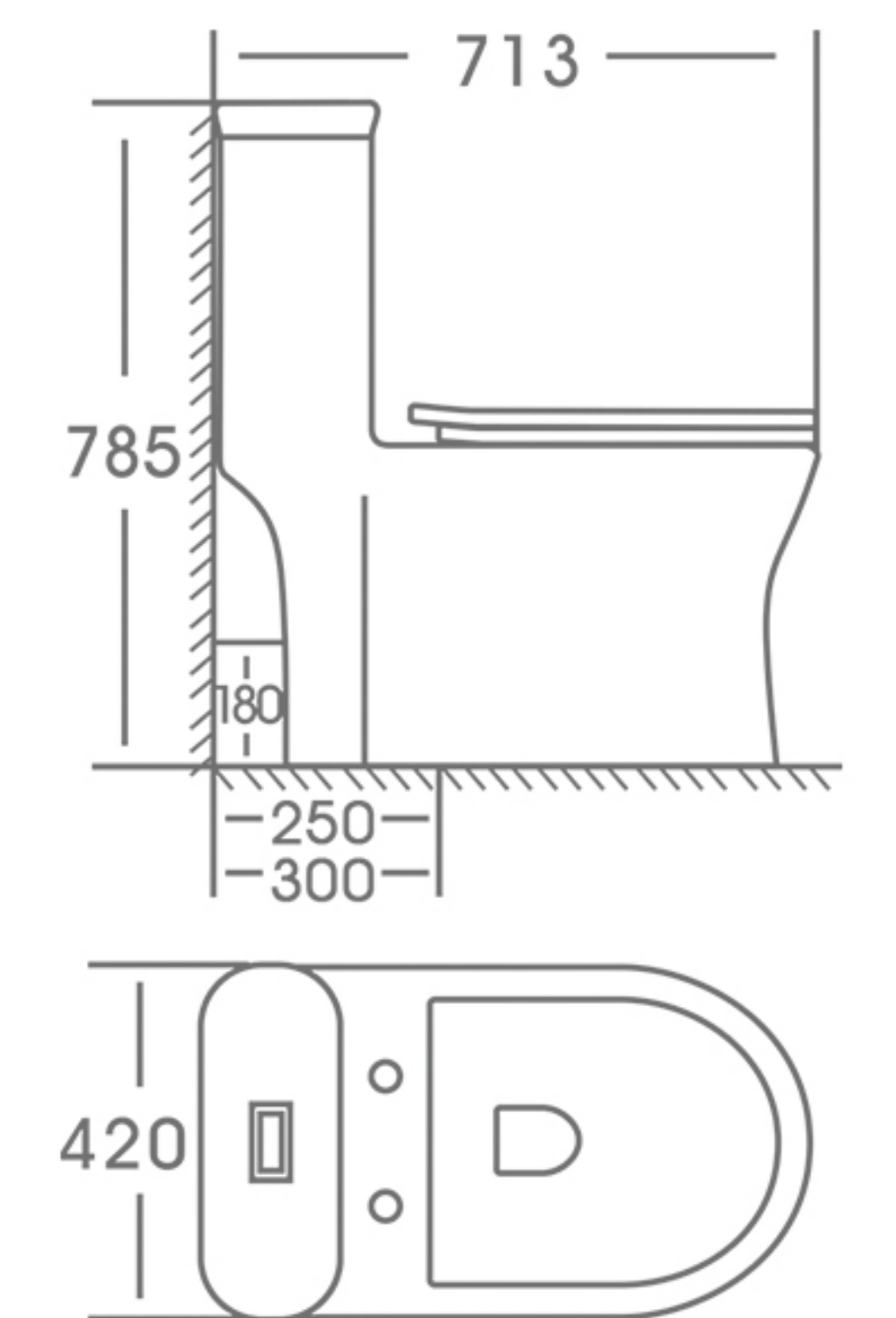
6277

Washdown one piece closet

- Size: 713x420x785mm
- Vitreous china
- S-trap, 250/300mm Roughing-in
- P-trap, 180mm Roughing-in

直冲式连体坐便器

- 尺寸：713x420x785毫米
- 瓷质陶瓷
- 地排，排污口中心离墙250/300毫米
- 横排，排污口中心离墙180毫米



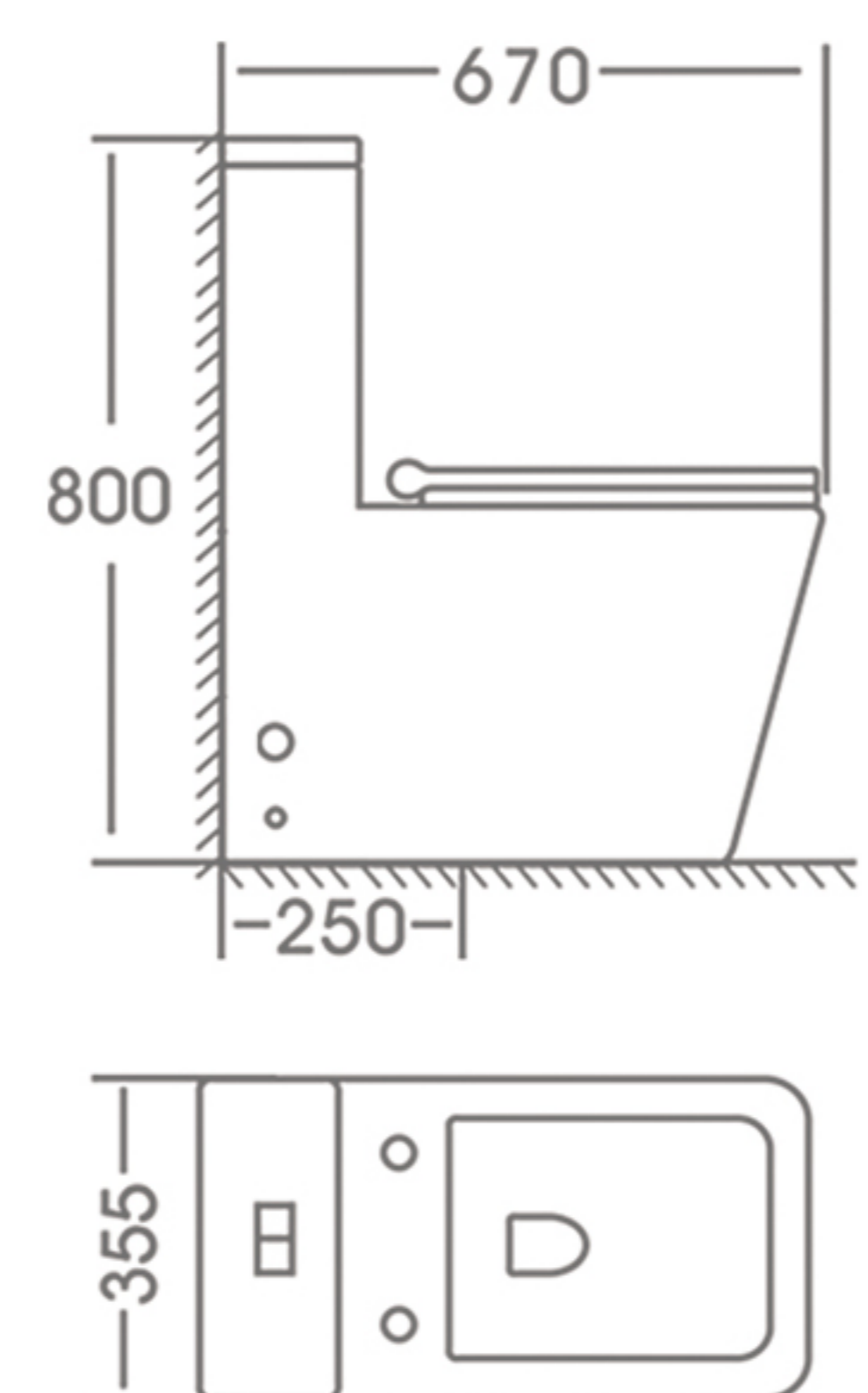
6266

Washdown one piece Closet

- Size: 640x355x800mm
- Vitreous china
- S-trap, 250mm Roughing-in

直冲式连体坐便器

- 尺寸：640x355x800毫米
- 瓷质陶瓷
- 地排，排污口中心离墙250毫米



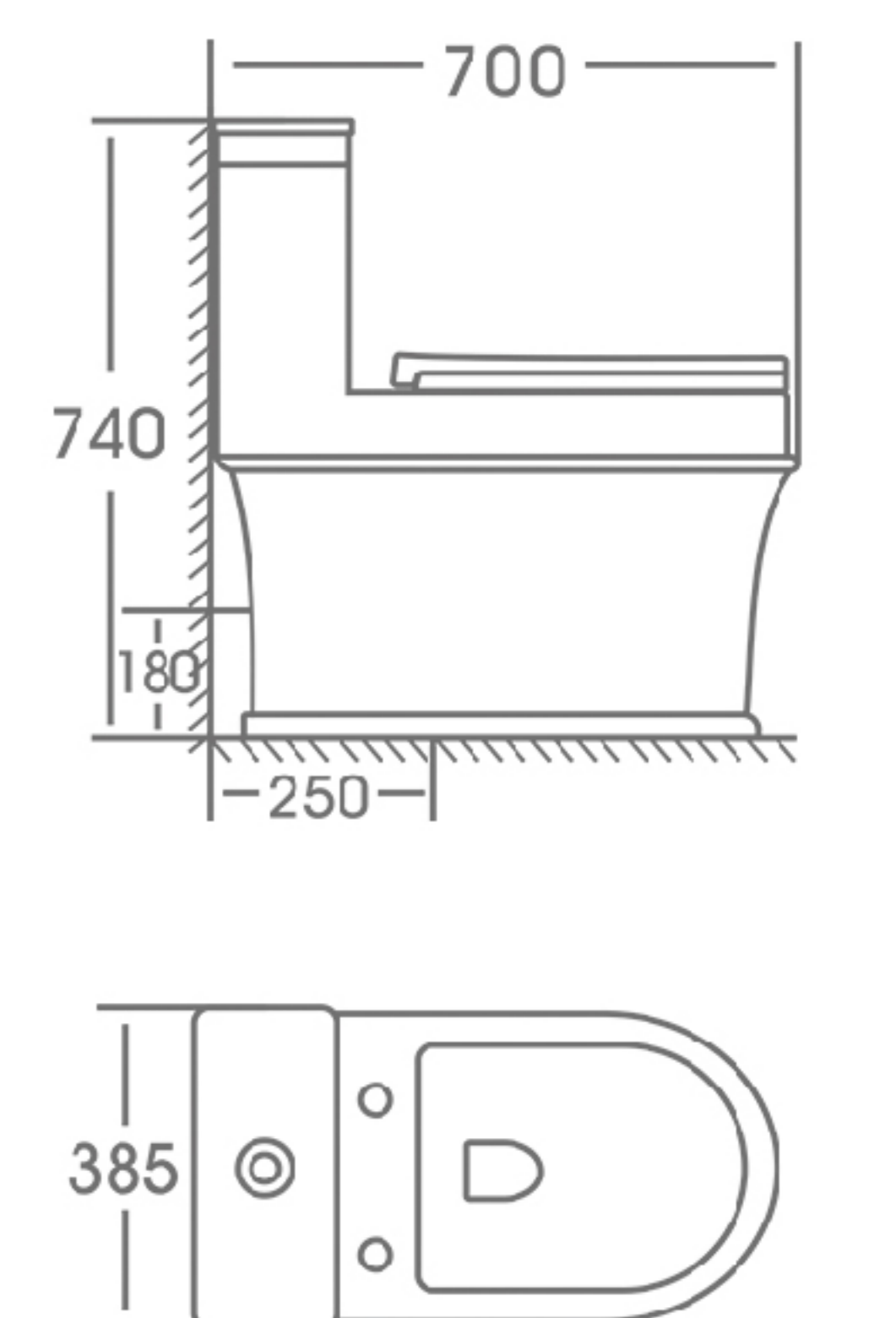
6279

Washdown one piece closet

- Size: 700x385x740mm
- Vitreous china
- S-trap, 250mm Roughing-in
- P-trap, 180mm Roughing-in

直冲式连体坐便器

- 尺寸：700x385x740毫米
- 瓷质陶瓷
- 地排，排污口中心离墙250毫米
- 横排，排污口中心离墙180毫米





Model: 6299



Model: 910

Authentic Regression

Returning To Fresh Spiritual Space





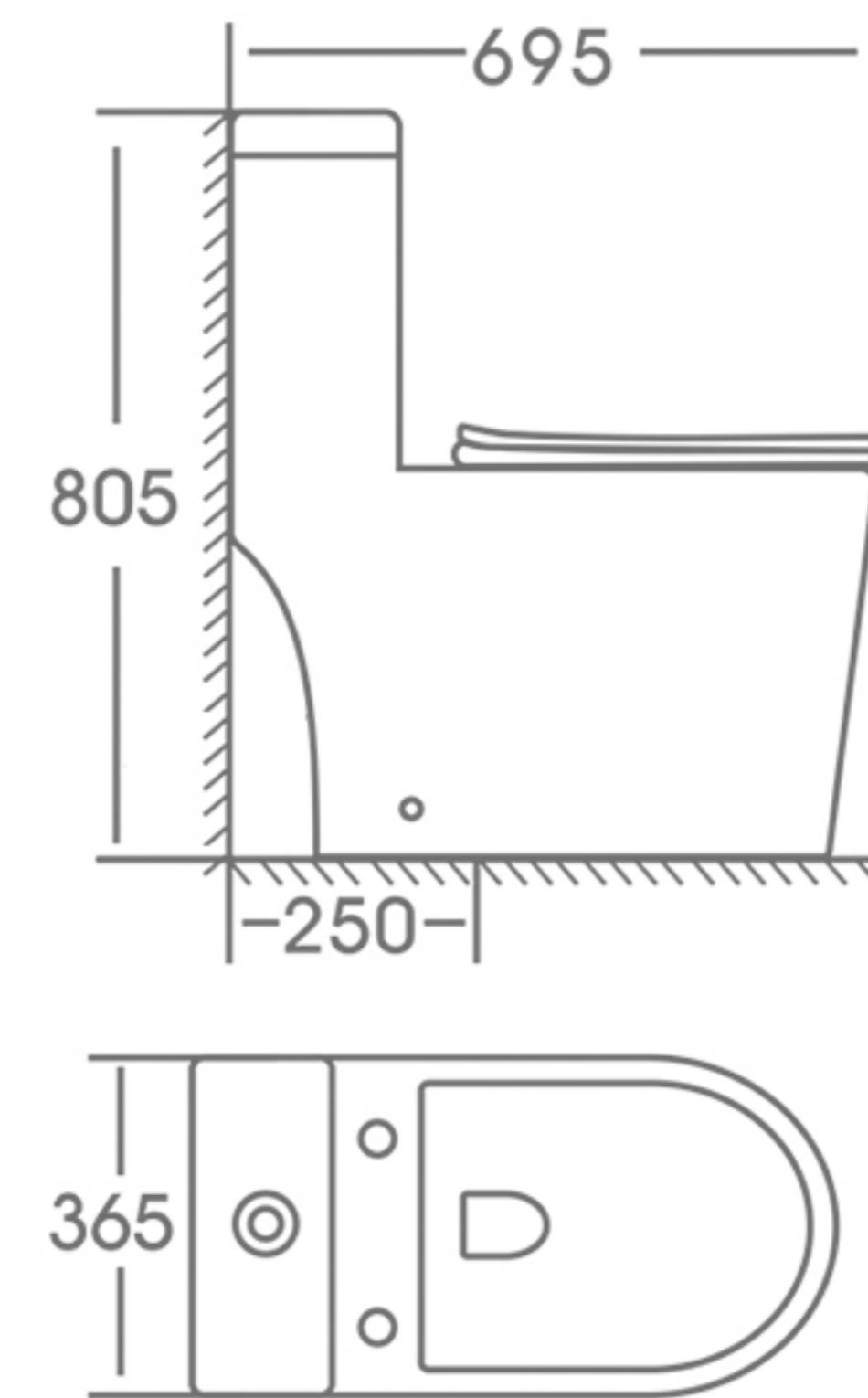
6288

Washdown one piece closet

- Size: 695x365x805mm
- Vitreous china
- S-trap, 250mm Roughing-in

直冲式连体坐便器

- 尺寸：695x365x805毫米
- 瓷质陶瓷
- 地排，排污口中心离墙250毫米



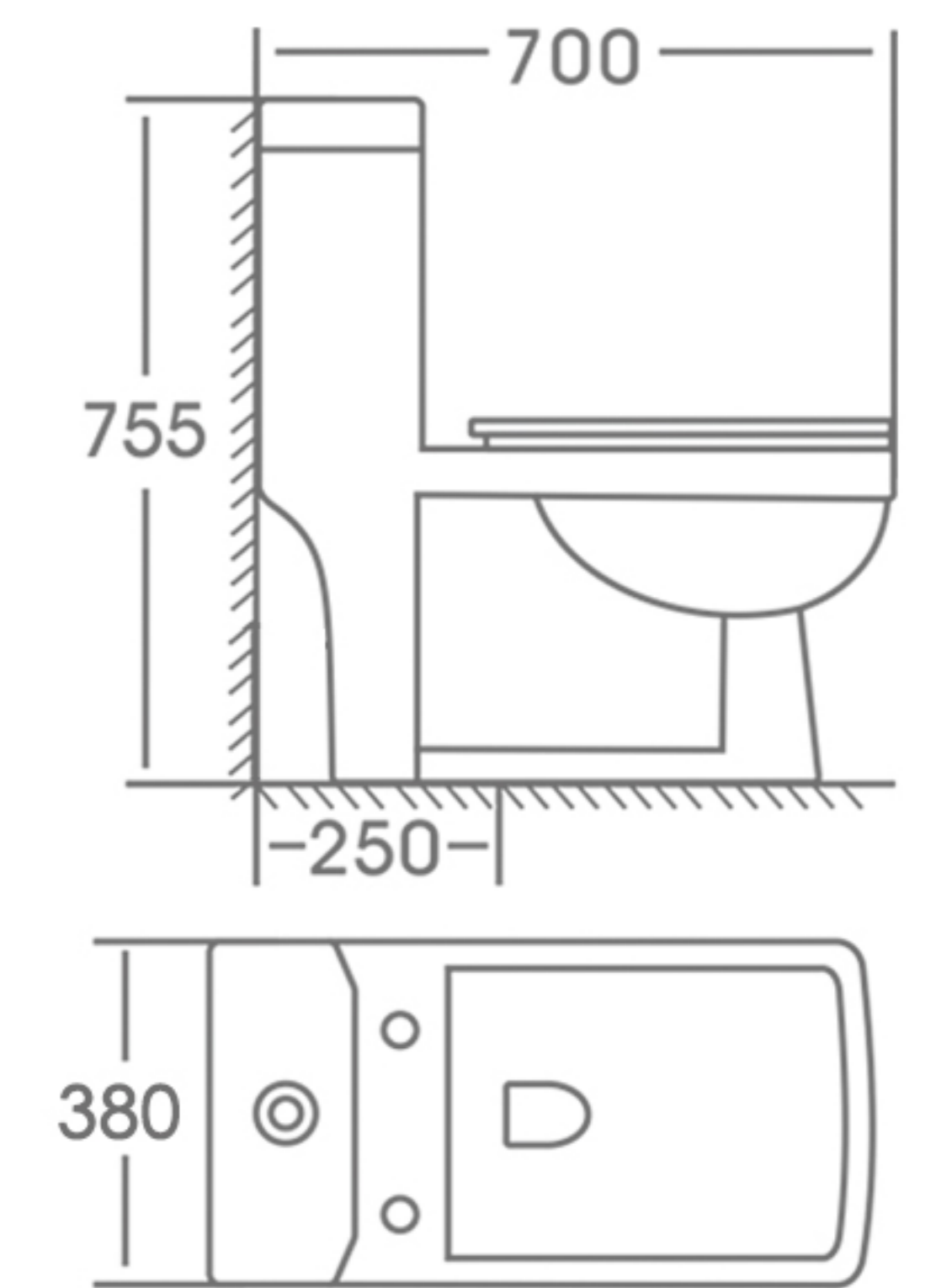
6352

Washdown one piece Closet

- Size: 700x380x755mm
- Vitreous china
- S-trap, 250mm Roughing-in

直冲式连体坐便器

- 尺寸：700x380x755毫米
- 瓷质陶瓷
- 地排，排污口中心离墙250毫米



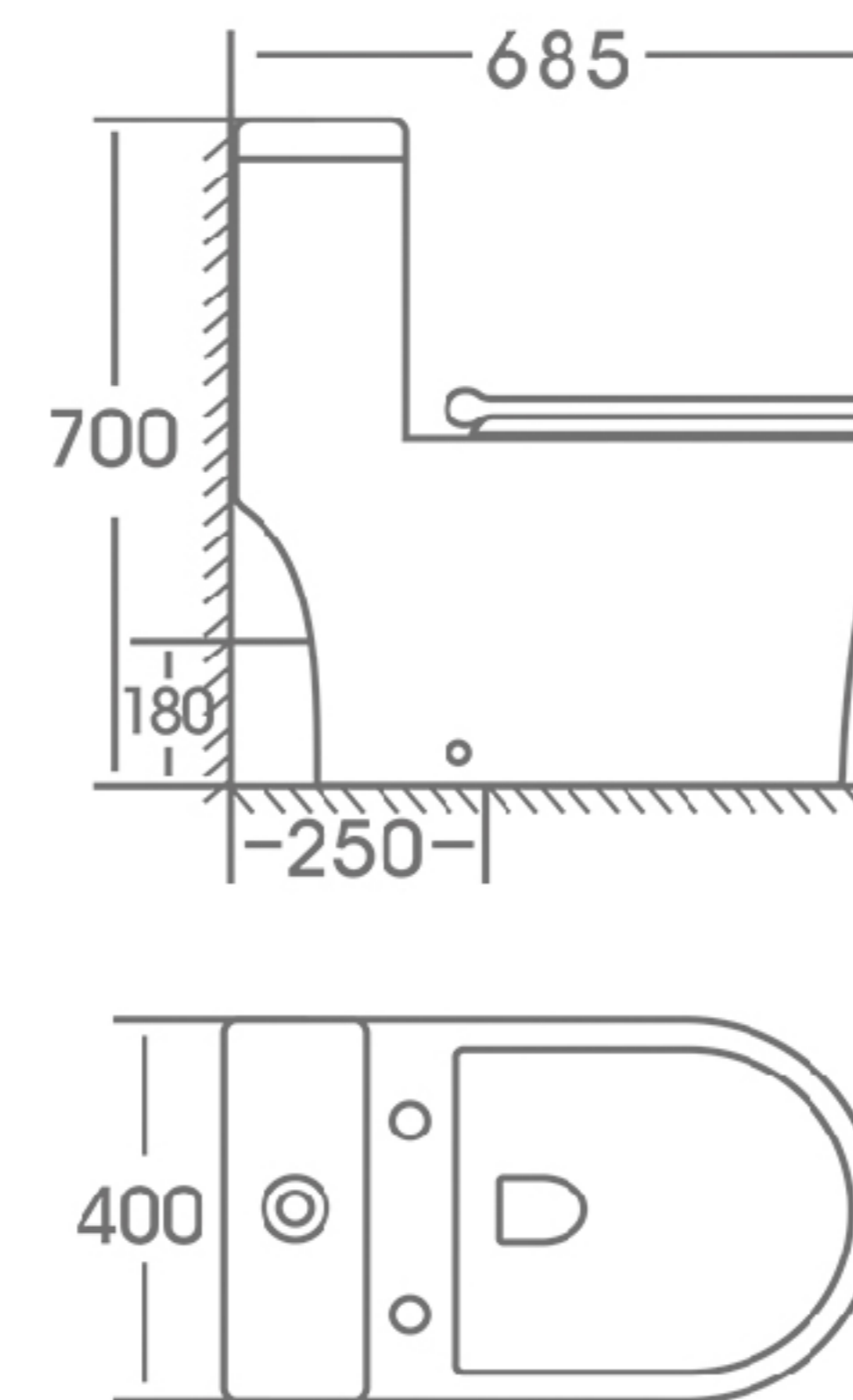
6291

Rimless one piece closet

- Size: 685x400x700mm
- Vitreous china
- S-trap, 250mm Roughing-in
- P-trap, 180mm Roughing-in

对冲直冲式连体坐便器

- 尺寸：685x400x700毫米
- 瓷质陶瓷
- 地排，排污口中心离墙250毫米
- 横排，排污口中心离墙180毫米



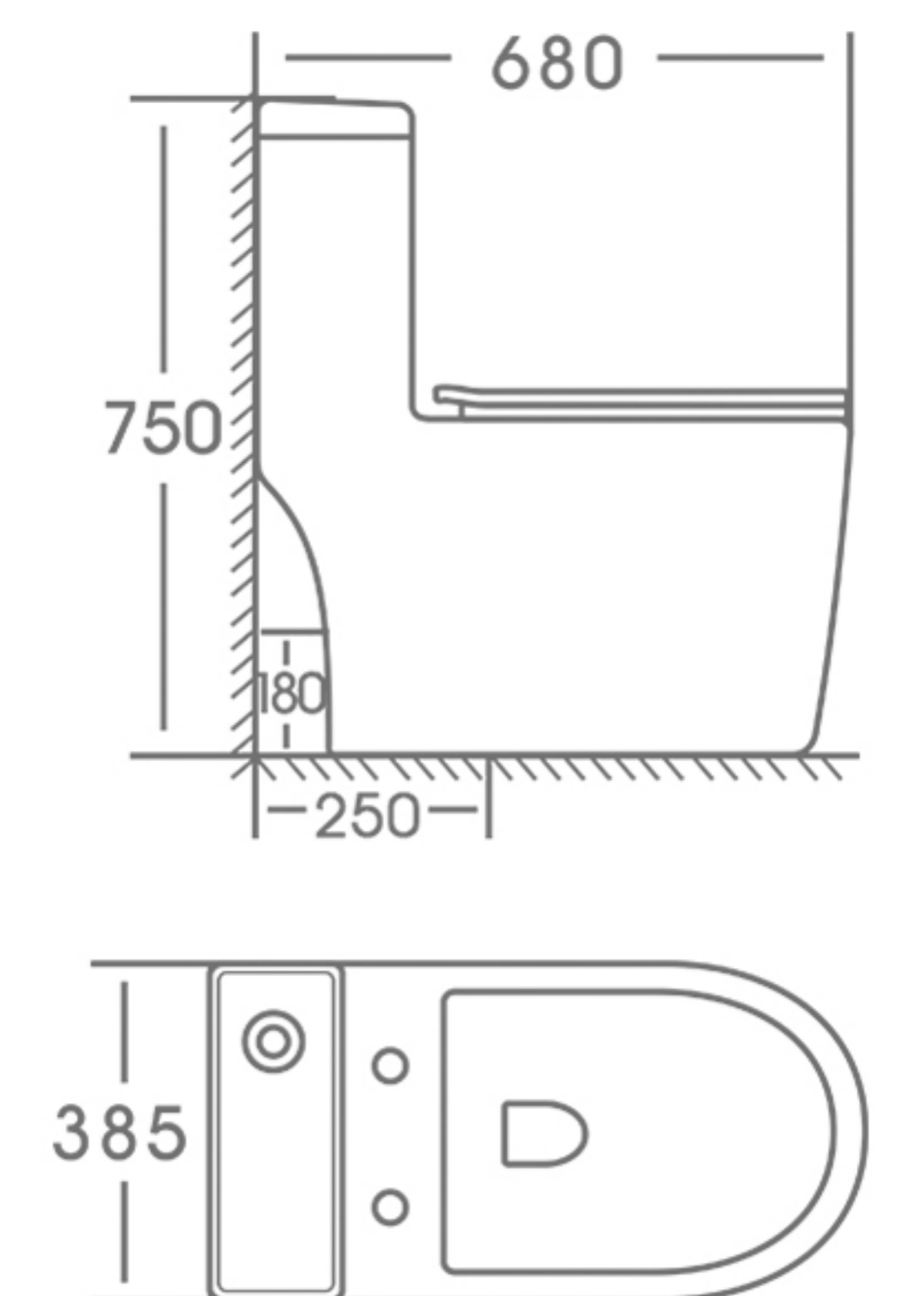
6820

Washdown one piece Closet

- Size: 680x385x750mm
- Vitreous china
- S-trap, 250mm Roughing-in
- P-trap, 180mm Roughing-in

直冲式连体坐便器

- 尺寸：680x385x750毫米
- 瓷质陶瓷
- 地排，排污口中心离墙250毫米
- 横排，排污口中心离墙180毫米



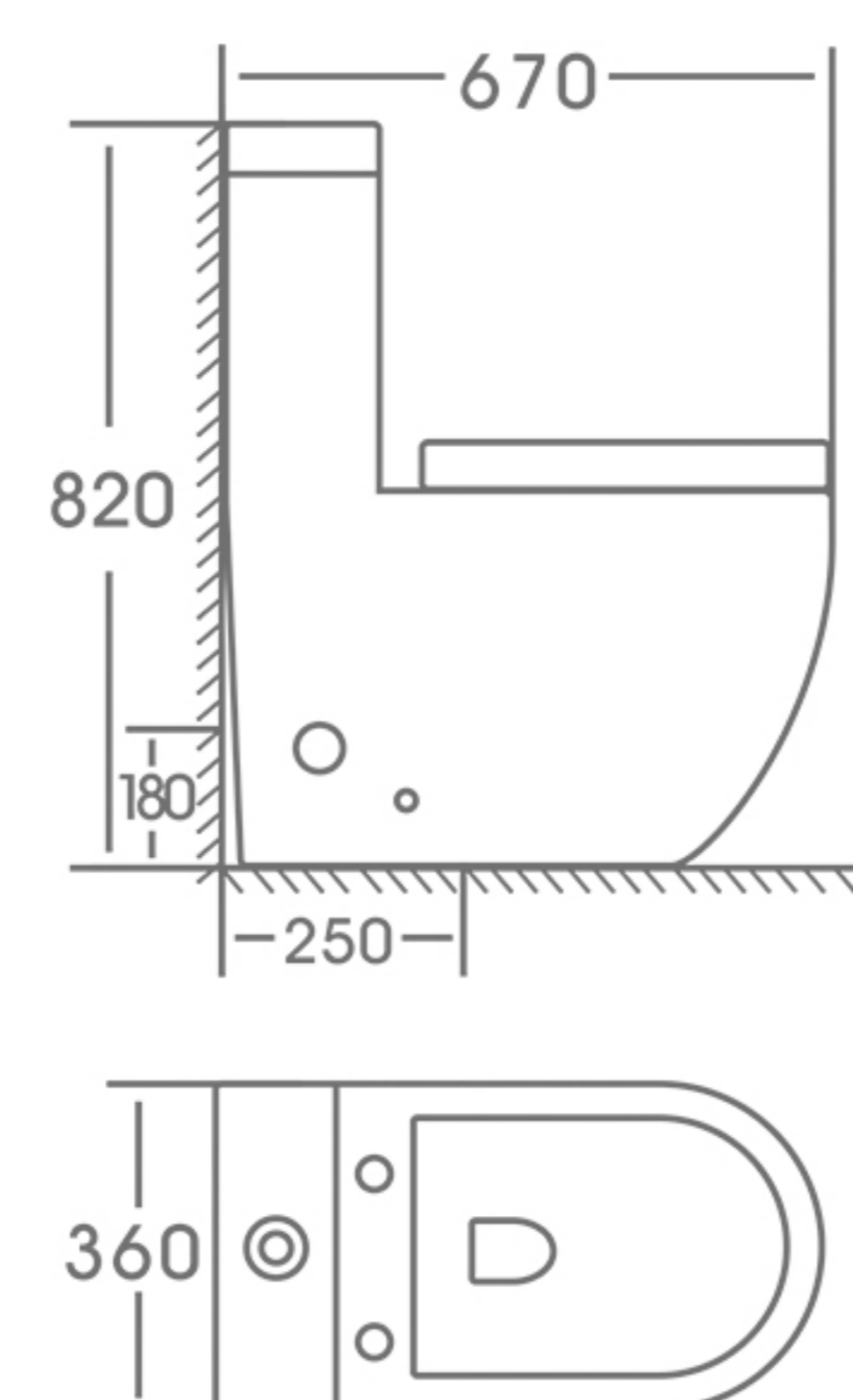
6299

Washdown one piece closet

- Size: 670x360x820mm
- Vitreous china
- S-trap, 250mm Roughing-in
- P-trap, 180mm Roughing-in

直冲式连体坐便器

- 尺寸：670x360x820毫米
- 瓷质陶瓷
- 地排，排污口中心离墙250毫米
- 横排，排污口中心离墙180毫米



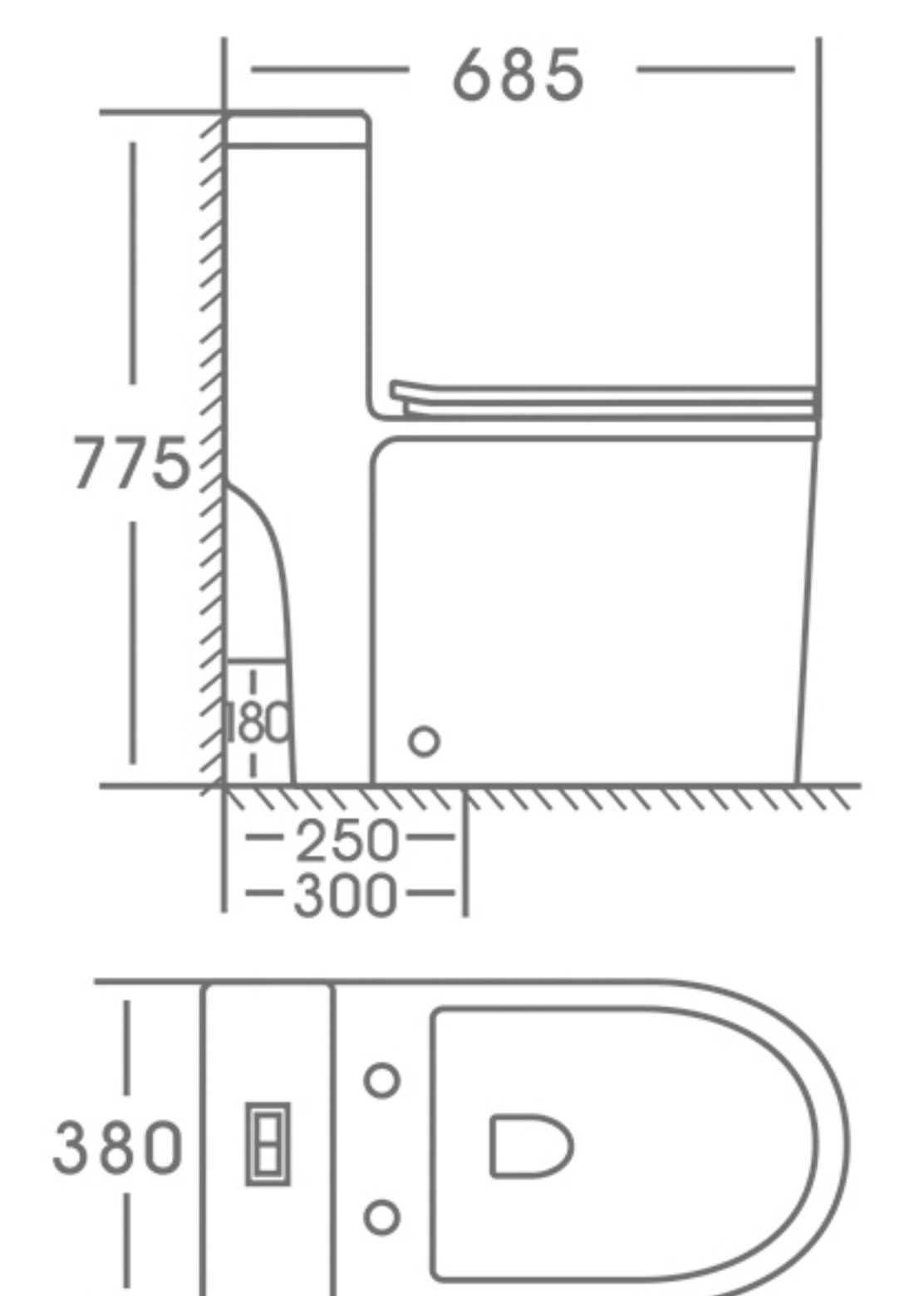
6831

Washdown one piece Closet

- Size: 685x380x775mm
- Vitreous china
- S-trap, 250、300mm Roughing-in
- P-trap, 180mm Roughing-in

直冲式连体坐便器

- 尺寸：685x380x775毫米
- 瓷质陶瓷
- 地排，排污口中心离墙250/300毫米
- 横排，排污口中心离墙180毫米





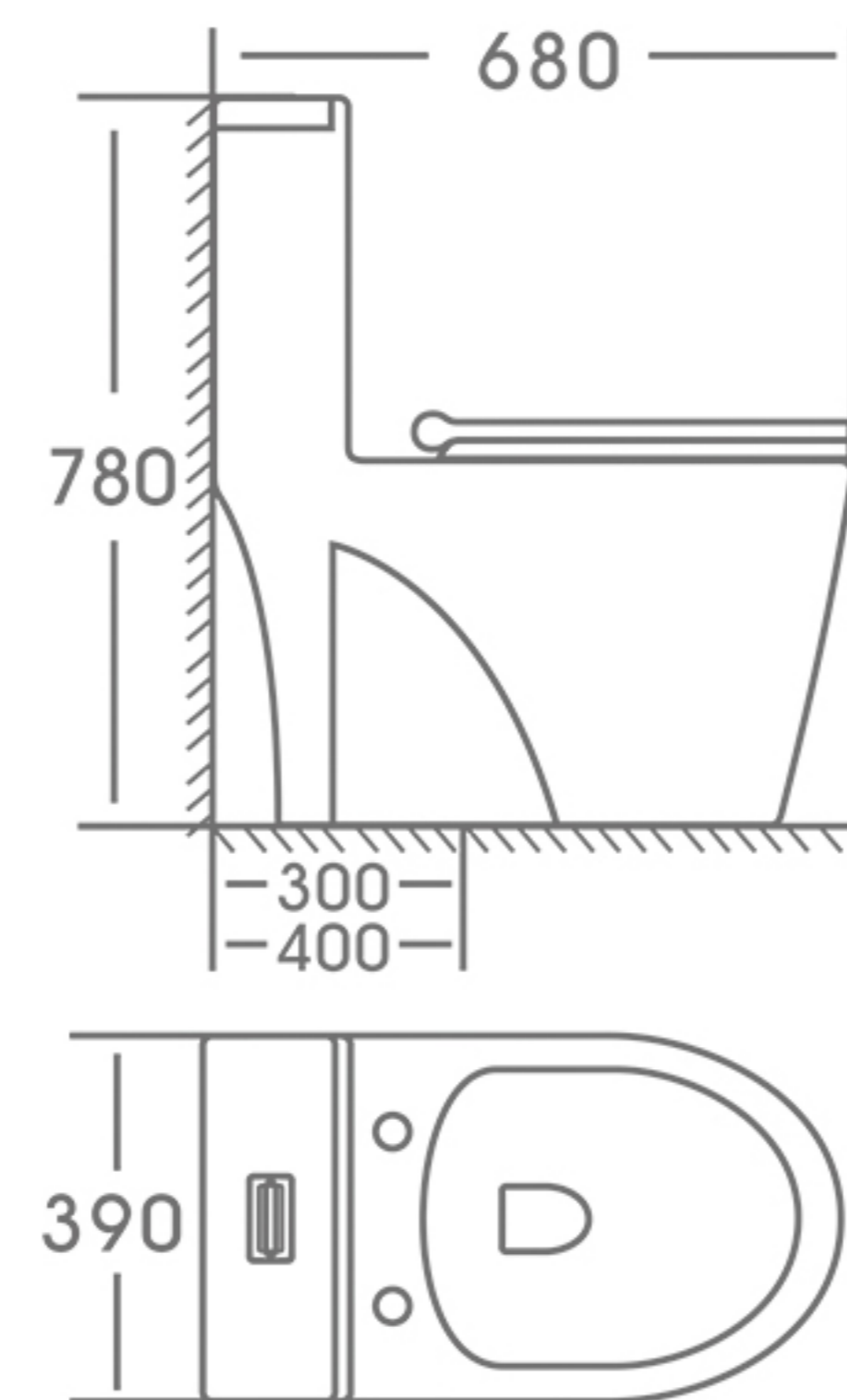
6224

Siphonic One-piece Closet

- Size: 680x390x780mm
- Vitreous china
- S-trap,300/400mm Roughing-in

虹吸式连体坐便器

- 小口径, 双孔超漩, 6.0管道
- 尺寸: 680x390x780毫米
- 瓷质陶瓷
- 地排, 排污口中心离墙300/400毫米



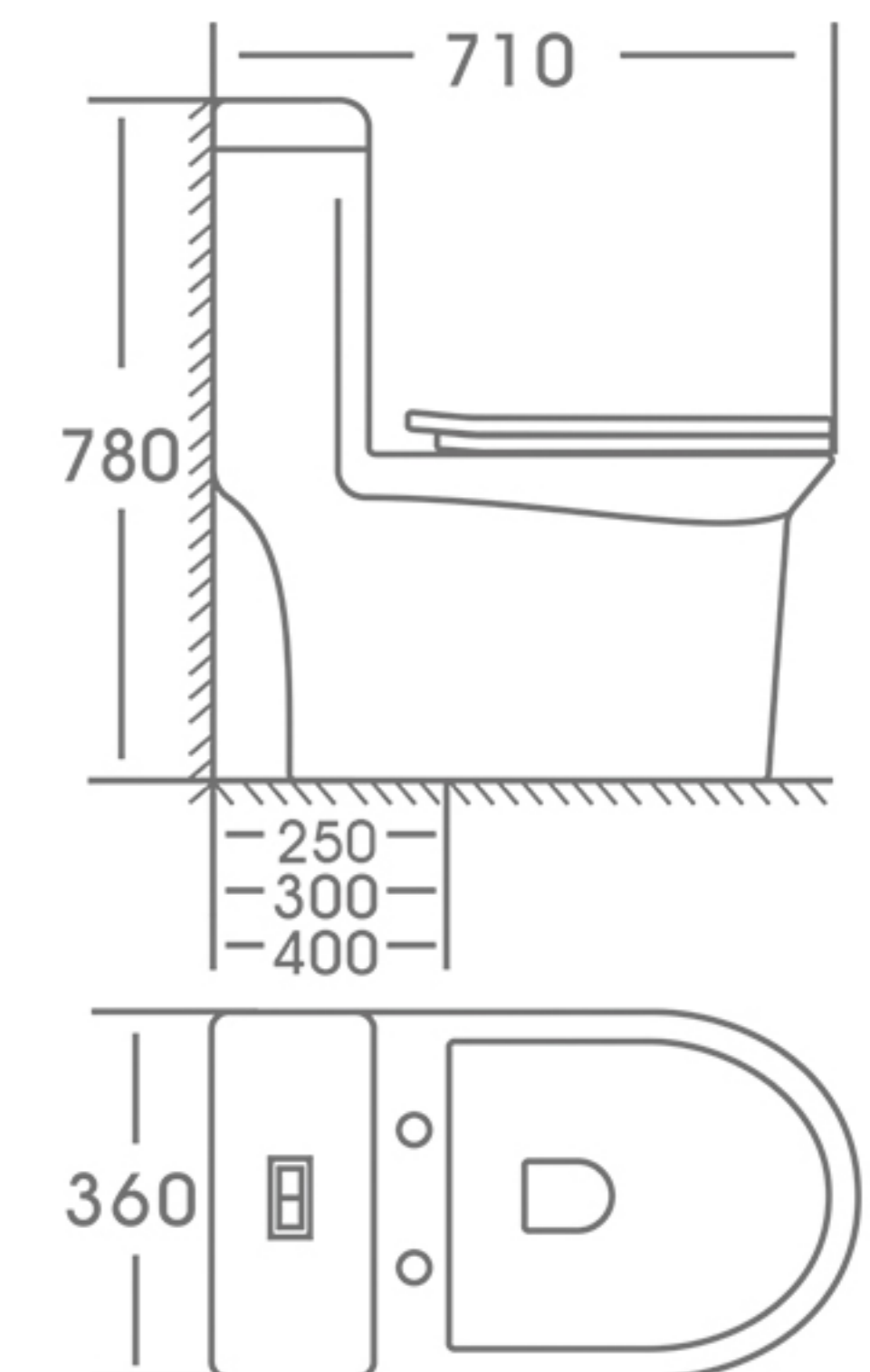
6289

Siphonic One-piece Closet

- Size: 710x360x780mm
- Vitreous china
- S-trap,250/300/400mm Roughing-in

虹吸式连体坐便器

- 大口径, 双孔超漩, 8.0大管道
- 尺寸: 710x360x780毫米
- 瓷质陶瓷
- 地排, 排污口中心离墙250/300/400毫米



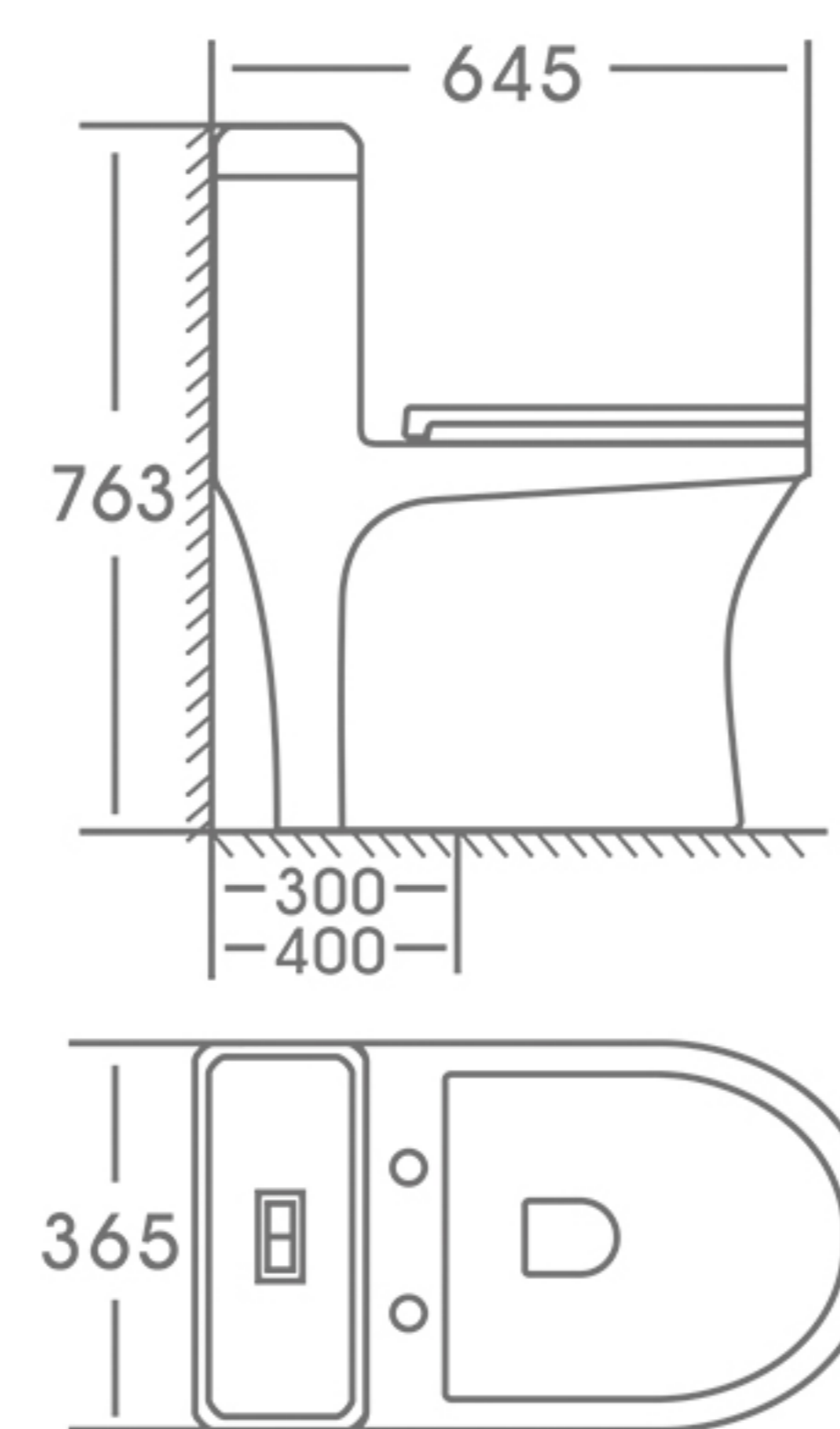
6273

Siphonic One-piece Closet

- Size: 645x365x763mm
- Vitreous china
- S-trap,300/400mm Roughing-in

虹吸式连体坐便器

- 小口径, 双孔超漩, 6.0管道
- 尺寸: 645x365x763毫米
- 瓷质陶瓷
- 地排, 排污口中心离墙300/400毫米



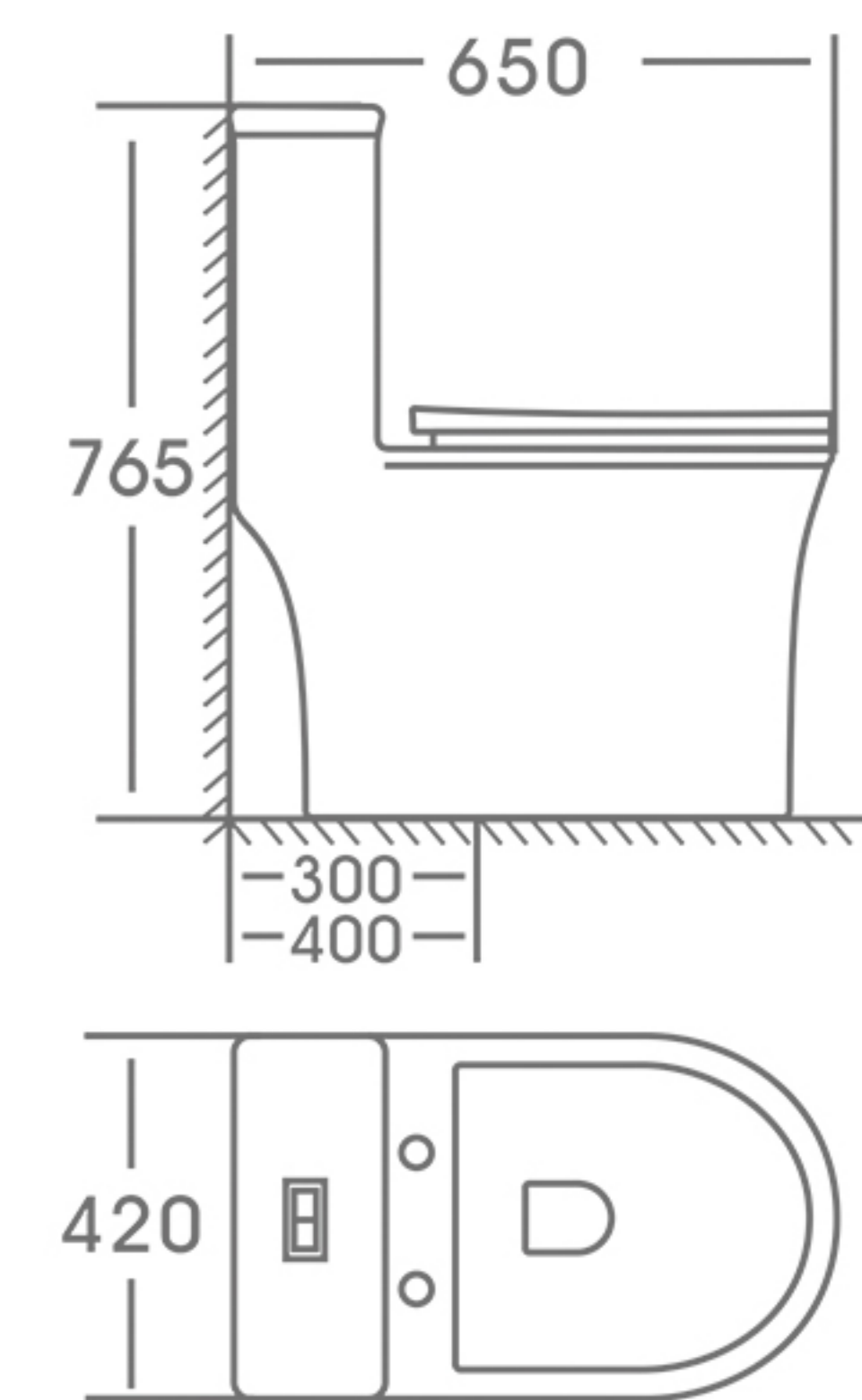
6801

Siphonic One-piece Closet

- Size: 650x390x765mm
- Vitreous china
- S-trap,300/400mm Roughing-in

虹吸式连体坐便器

- 小口径, 双孔超漩, 6.0管道
- 尺寸: 650x390x765毫米
- 瓷质陶瓷
- 地排, 排污口中心离墙300/400毫米



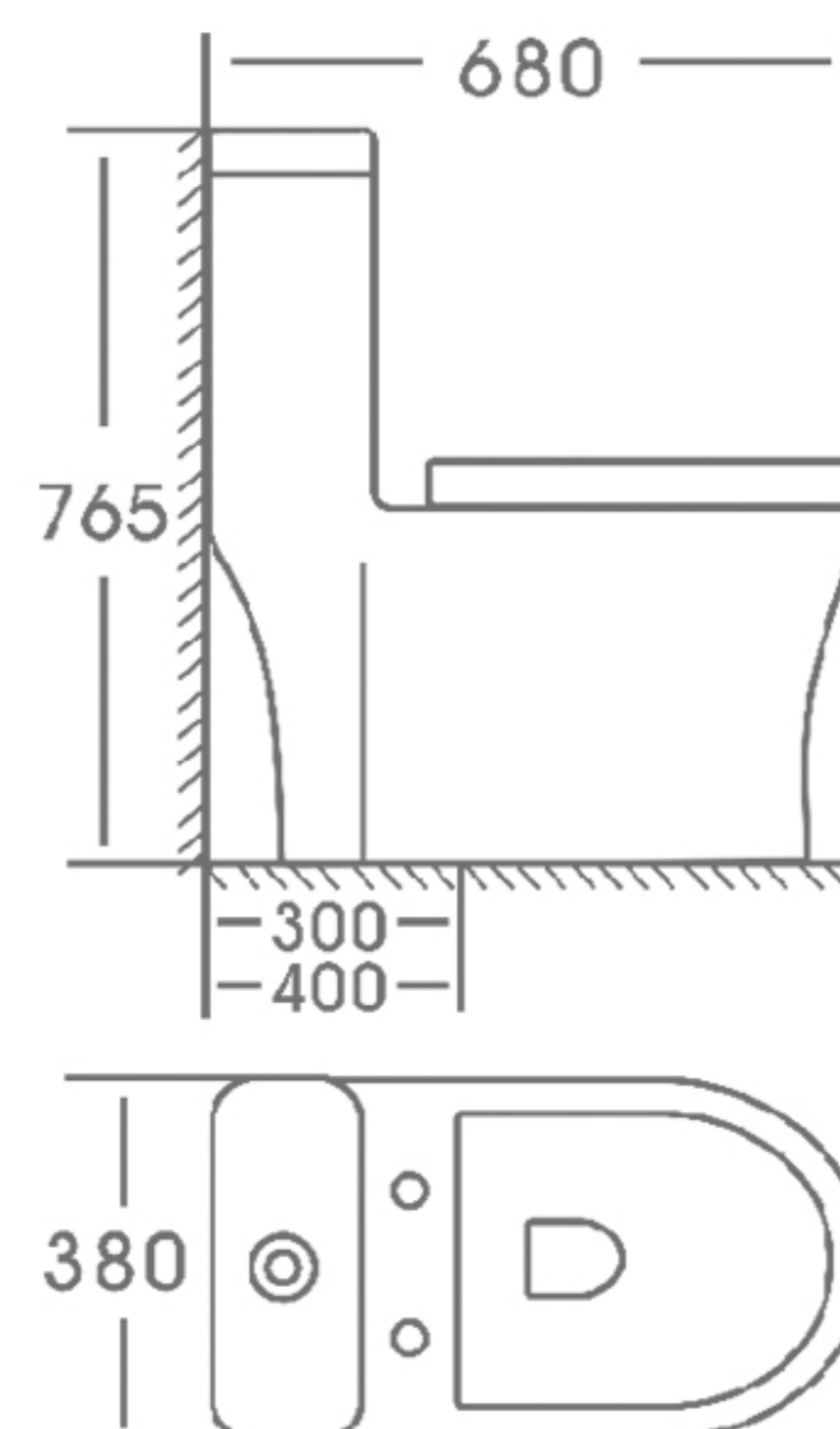
6274

Siphonic One-piece Closet

- Size: 680x380x765mm
- Vitreous china
- S-trap,300/400mm Roughing-in

虹吸式连体坐便器

- 小口径, 双孔超漩, 6.0管道
- 尺寸: 680x380x765毫米
- 瓷质陶瓷
- 地排, 排污口中心离墙300/400毫米



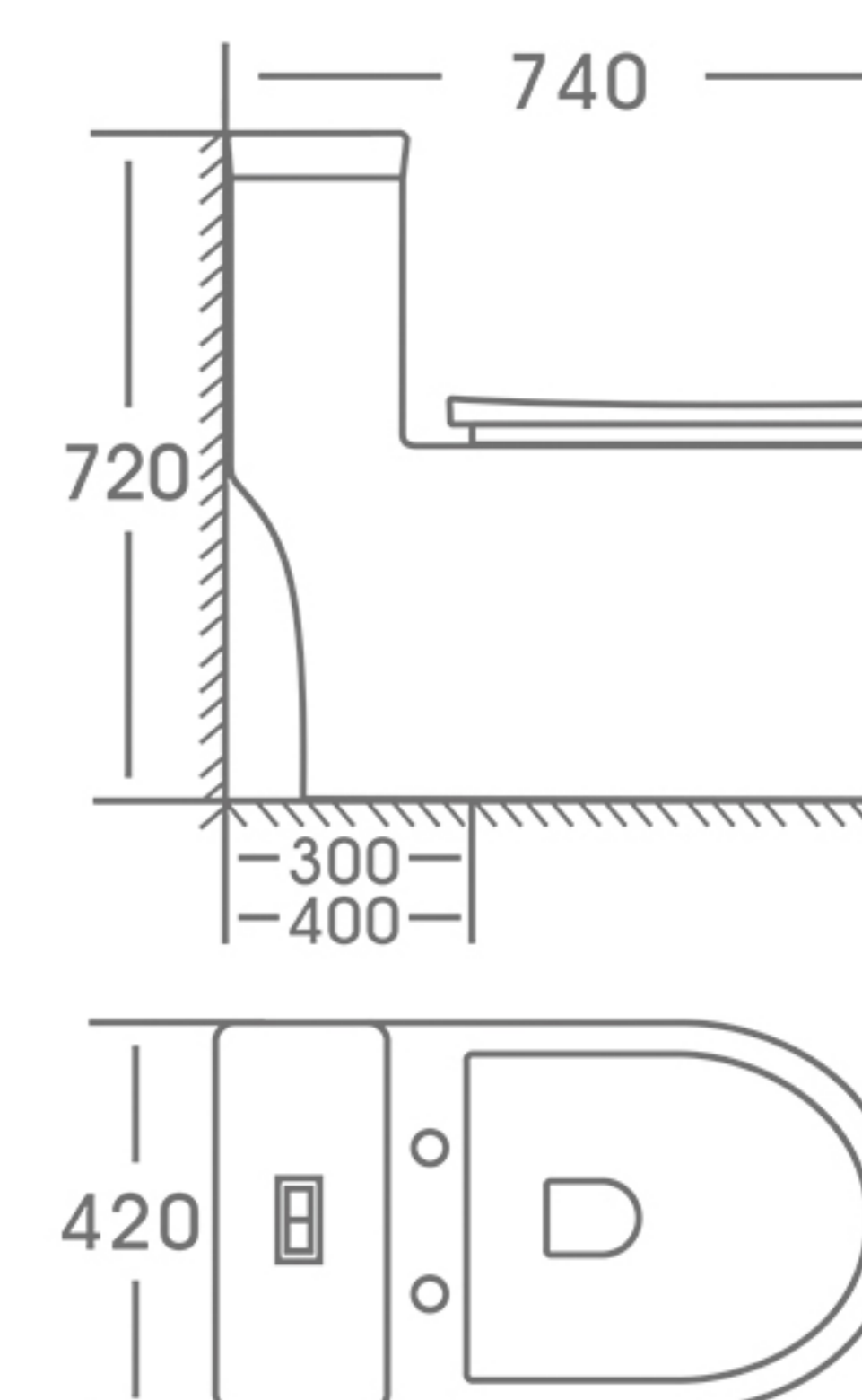
6803

Siphonic One-piece Closet

- Size: 740x420x720mm
- Vitreous china
- S-trap,300/400mm Roughing-in

虹吸式连体坐便器

- 大口径, 双孔超漩, 8.0管道
- 尺寸: 740x420x720毫米
- 瓷质陶瓷
- 地排, 排污口中心离墙300/400毫米





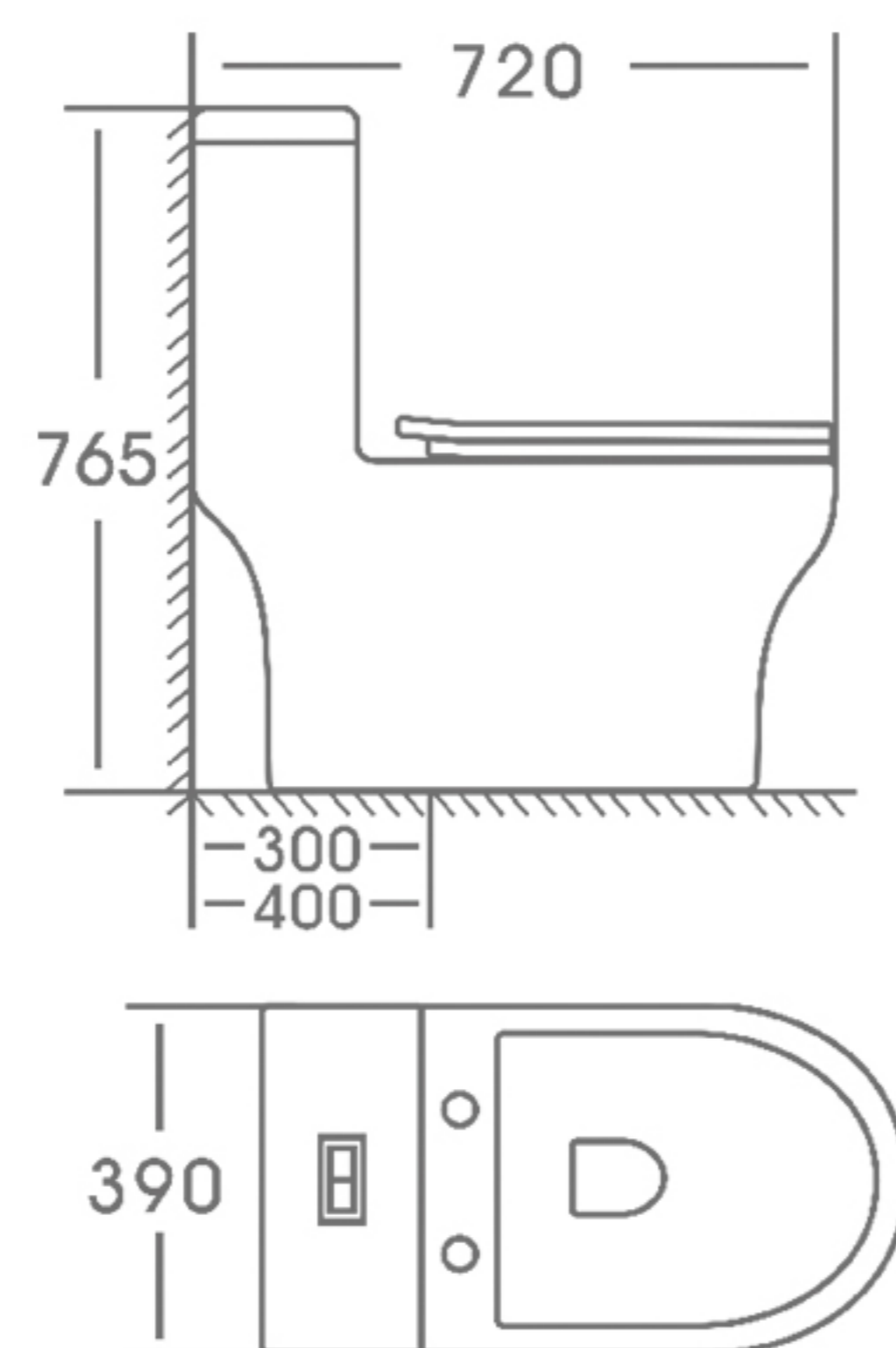
6804

Siphonic One-piece Closet

- Size: 720x390x765mm
- Vitreous china
- S-trap, 300/400mm Roughing-in

虹吸式连体坐便器

- 大口径，四孔超漩，8.0大管道
- 尺寸：720x390x765毫米
- 瓷质陶瓷
- 地排，排污口中心离墙300/400毫米



Siphonic Clean Series



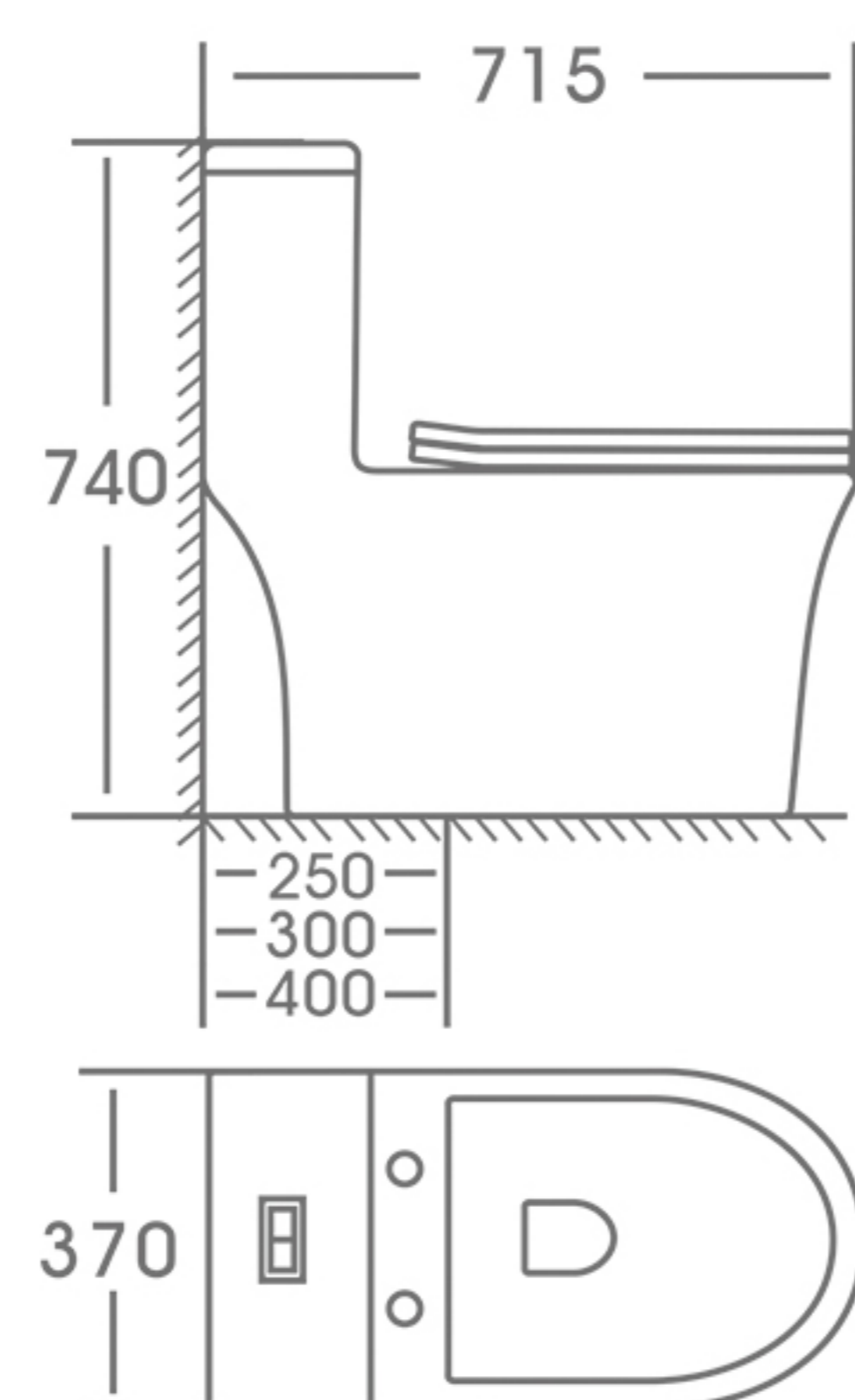
6805

Siphonic One-piece Closet

- Size: 715x370x740mm
- Vitreous china
- S-trap, 250/300/400mm Roughing-in

虹吸式连体坐便器

- 大口径，双孔超漩，8.0大管道
- 尺寸：715x370x740毫米
- 瓷质陶瓷
- 地排，排污口中心离墙250/300/400毫米



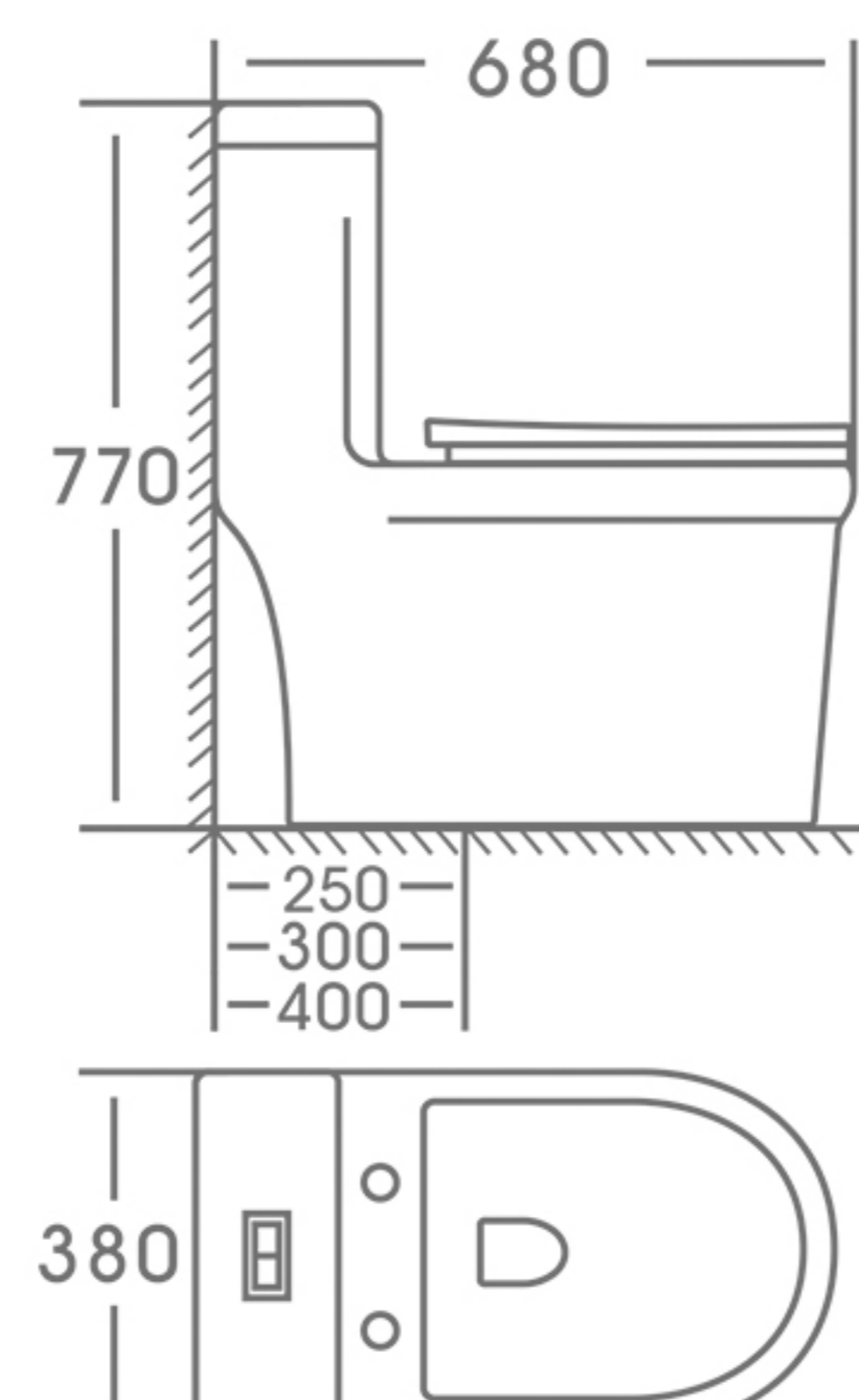
6807

Siphonic One-piece Closet

- Size: 680x380x770mm
- Vitreous china
- S-trap, 250/300/400mm Roughing-in

虹吸式连体坐便器

- 大口径，四孔超漩，8.0大管道
- 尺寸：680x380x770毫米
- 瓷质陶瓷
- 地排，排污口中心离墙250/300/400毫米



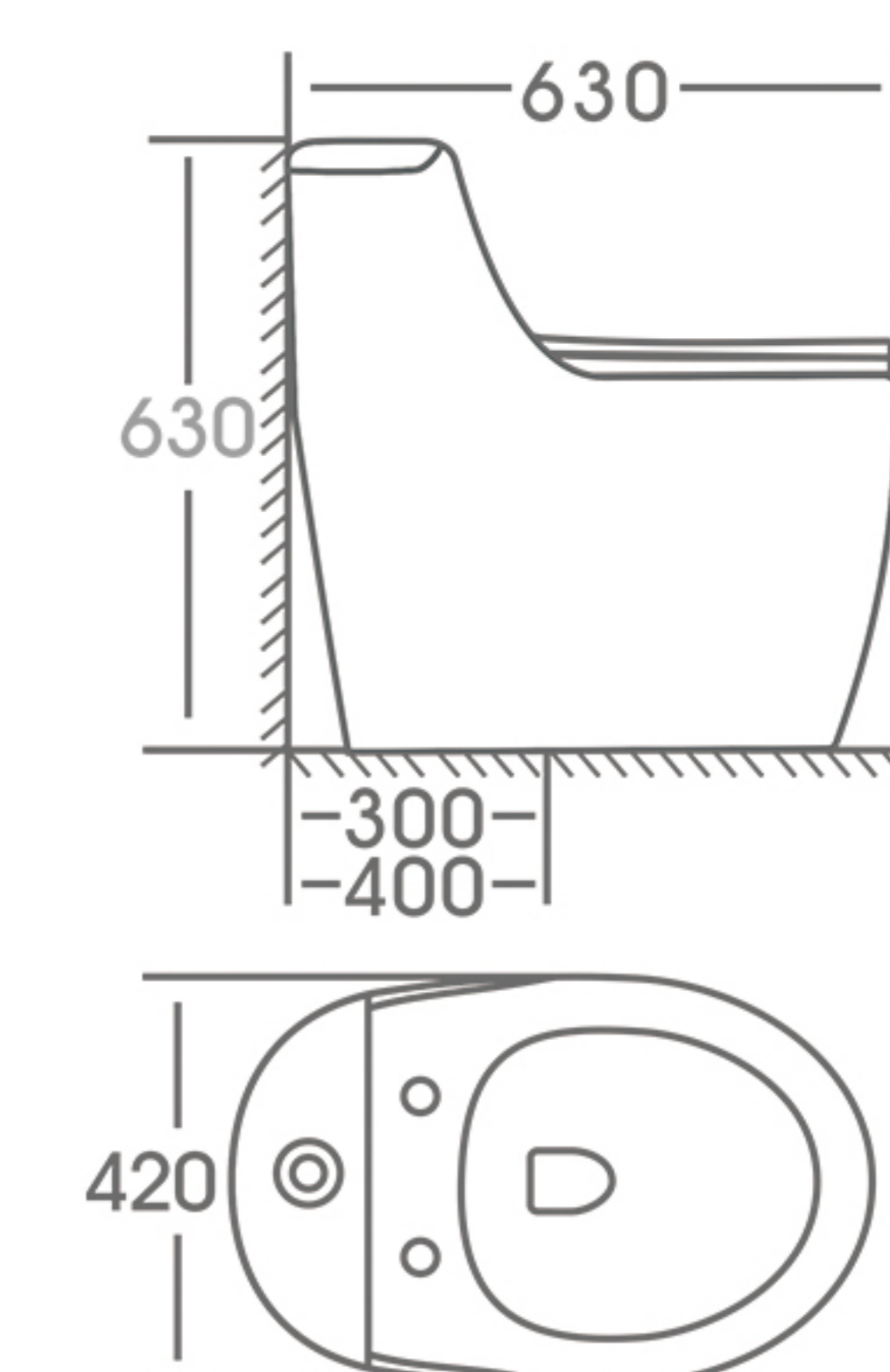
6855

Siphonic One-piece Closet

- Size: 630x420x630mm
- Vitreous china
- S-trap, 300/400mm Roughing-in

虹吸式连体坐便器

- 大口径，8.0大管道
- 尺寸：630x420x630毫米
- 瓷质陶瓷
- 地排，排污口中心离墙300/400毫米





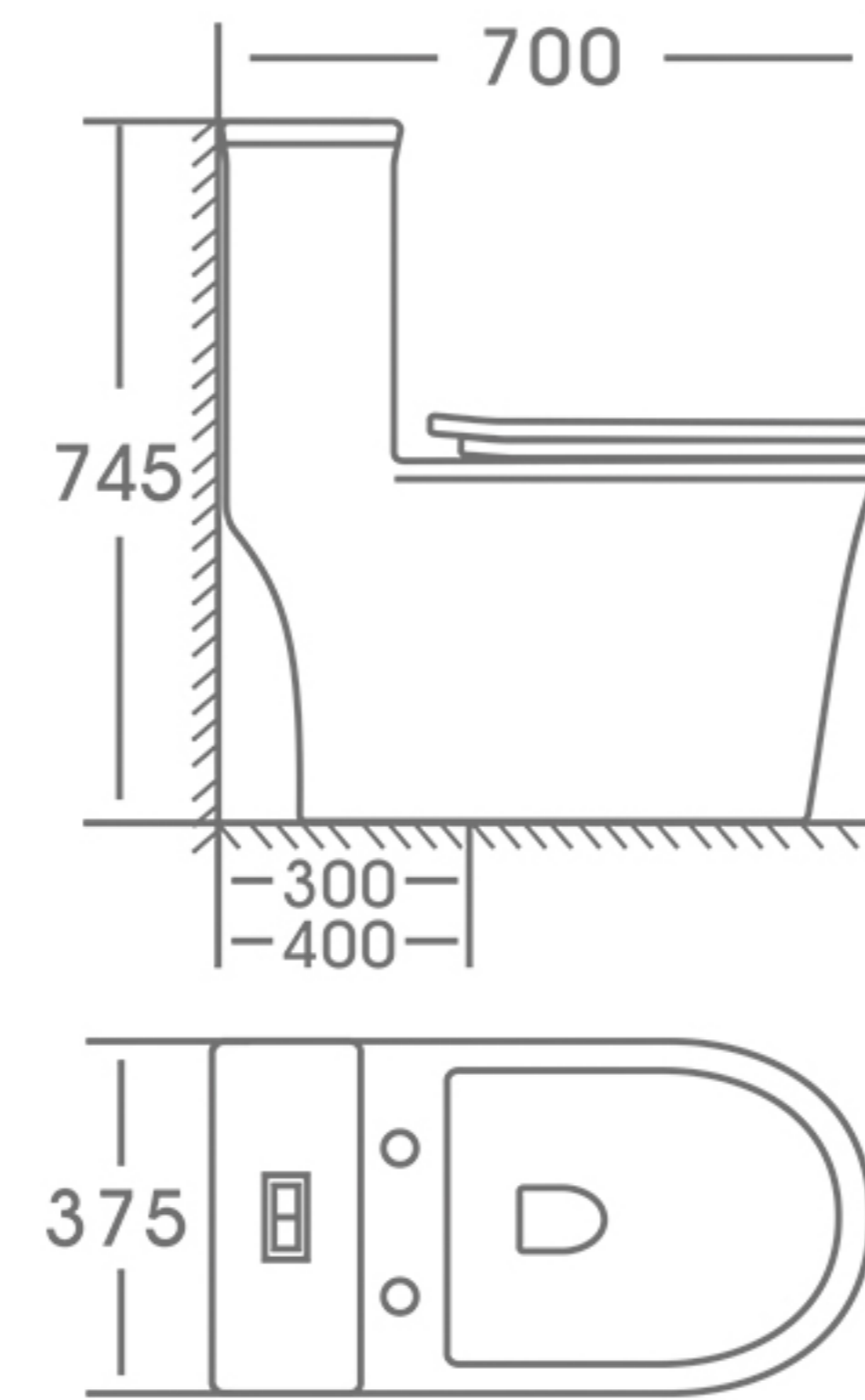
6809

Siphonic One-piece Closet

- Size: 700x375x745mm
- Vitreous china
- S-trap,300/400mm Roughing-in

虹吸式连体坐便器

- 大口径, 双孔超漩, 8.0大管道
- 尺寸: 700x375x745毫米
- 瓷质陶瓷
- 地排, 排污口中心离墙300/400毫米



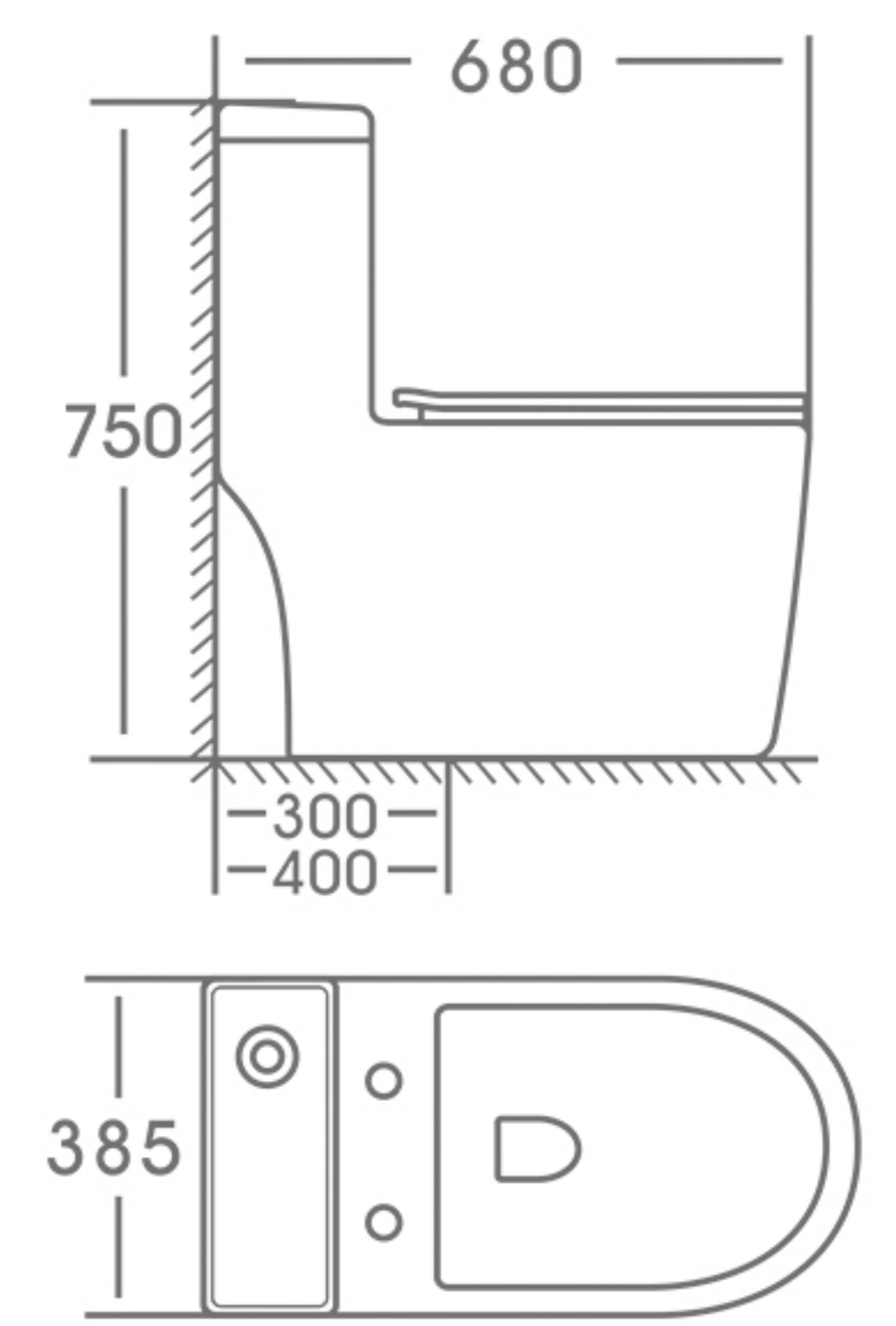
6820

Siphonic One-piece Closet

- Size: 680x385x750mm
- Vitreous china
- S-trap,300/400mm Roughing-in

虹吸式连体坐便器

- 大口径, 单孔超漩, 8.0大管道
- 尺寸: 680x385x750毫米
- 瓷质陶瓷
- 地排, 排污口中心离墙300/400毫米



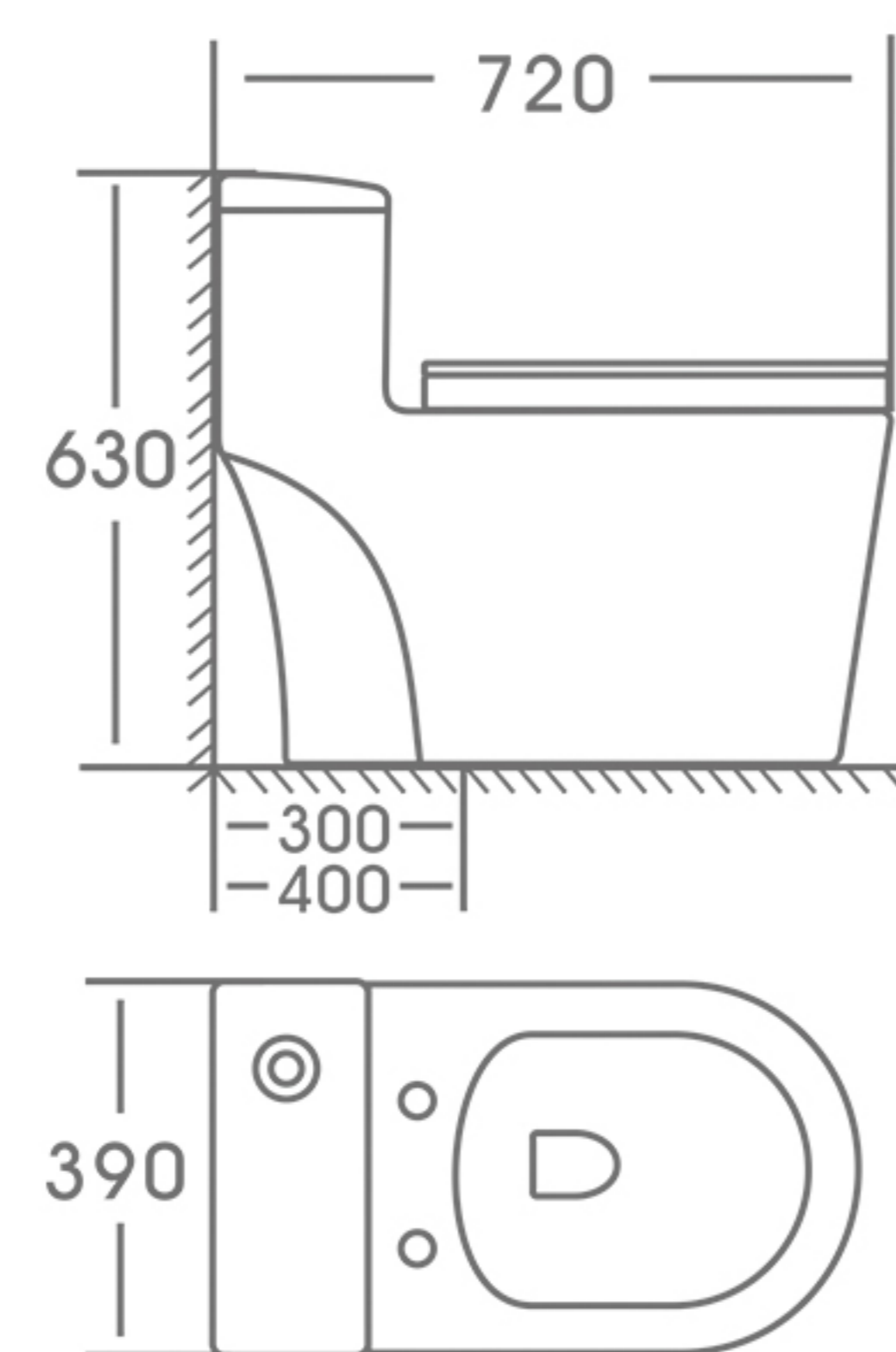
6813

Siphonic One-piece Closet

- Size: 720x390x630mm
- Vitreous china
- S-trap,300/400mm Roughing-in

虹吸式连体坐便器

- 小口径, 双孔超漩, 6.0管道
- 尺寸: 720x390x630毫米
- 瓷质陶瓷
- 地排, 排污口中心离墙300/400毫米



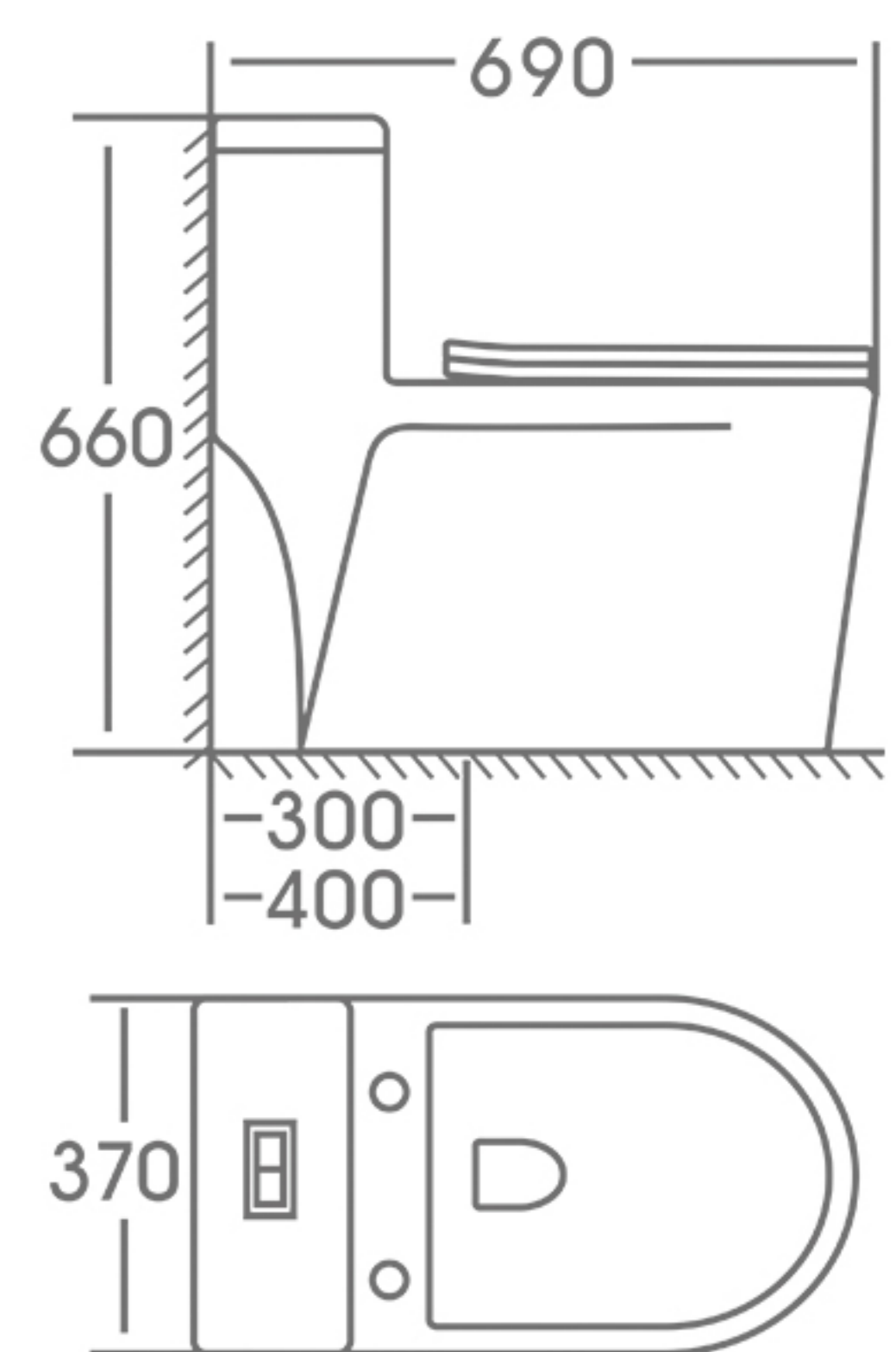
6821

Siphonic One-piece Closet

- Size: 690x375x660mm
- Vitreous china
- S-trap,300/400mm Roughing-in

虹吸式连体坐便器

- 大口径, 双孔超漩, 8.0管道
- 尺寸: 690x375x660毫米
- 瓷质陶瓷
- 地排, 排污口中心离墙300/400毫米



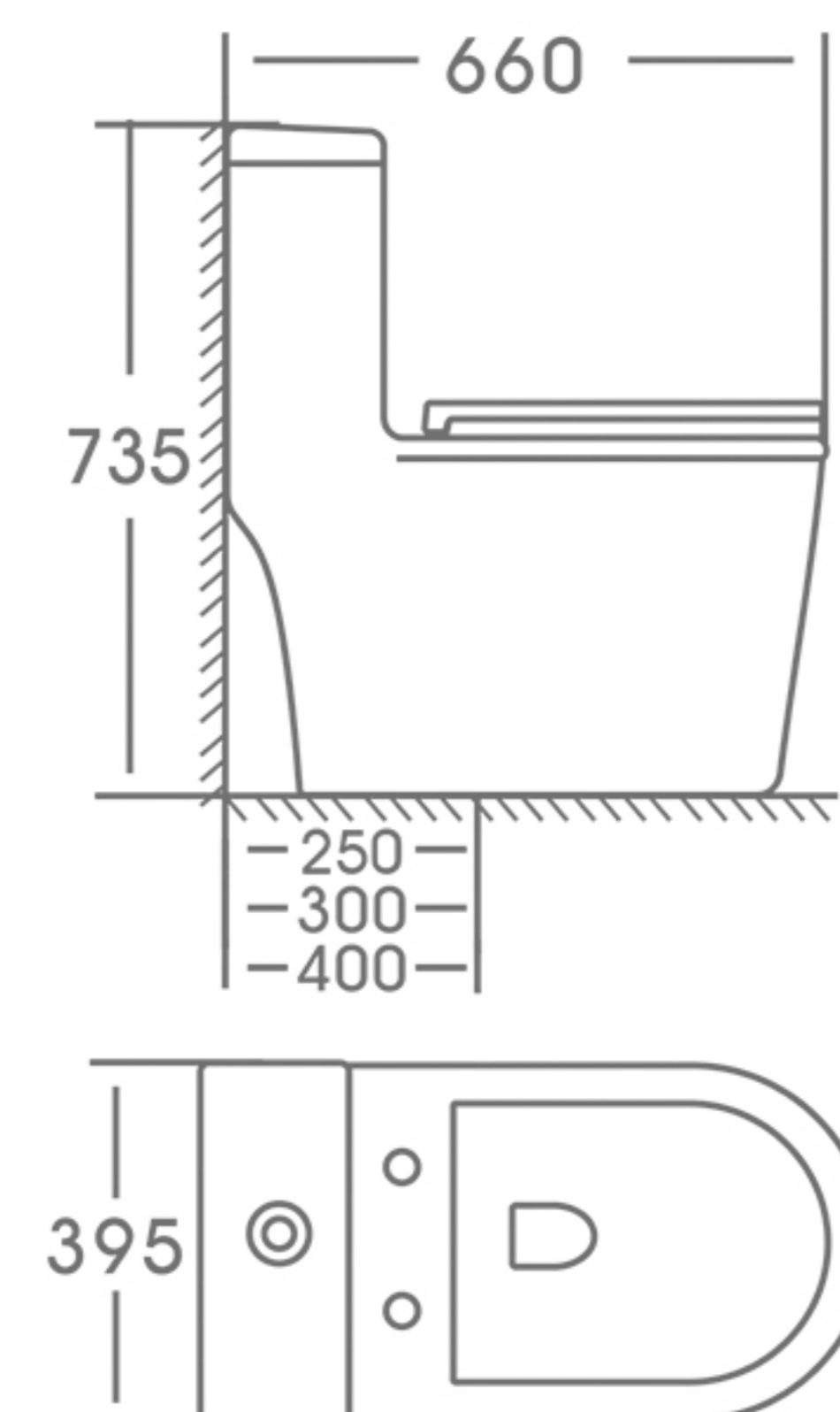
6819

Siphonic One-piece Closet

- Size: 660x395x735mm
- Vitreous china
- S-trap,250/300/400mm Roughing-in

虹吸式连体坐便器

- 大口径, 双孔超漩, 8.0大管道
- 尺寸: 660x395x735毫米
- 瓷质陶瓷
- 地排, 排污口中心离墙250/300/400毫米



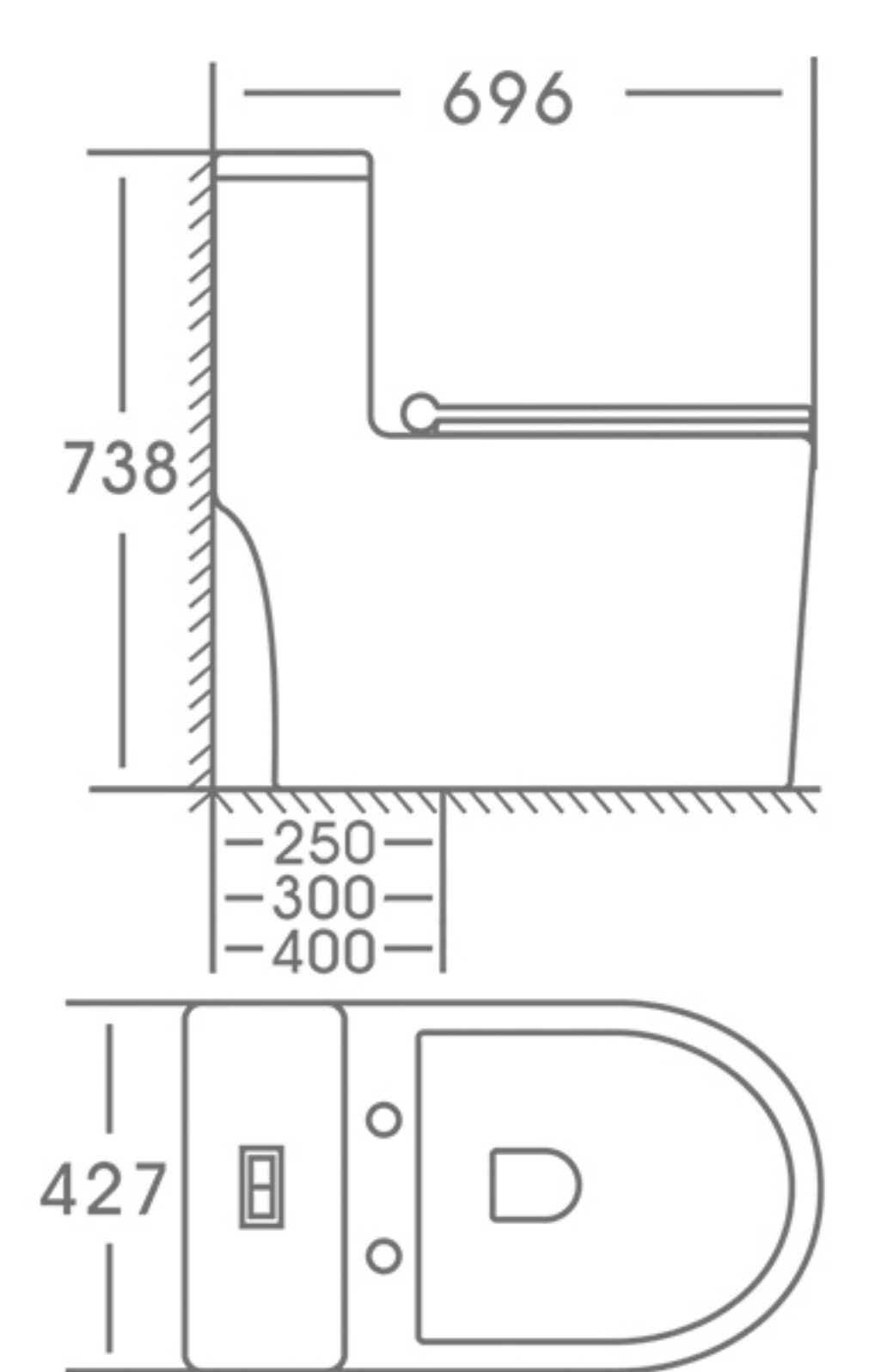
6822

Siphonic One-piece Closet

- Size: 696x427x738mm
- Vitreous china
- S-trap,250/300/400mm Roughing-in

虹吸式连体坐便器

- 大口径, 双孔超漩, 8.0管道
- 尺寸: 696x427x738毫米
- 瓷质陶瓷
- 地排, 排污口中心离墙250/300/400毫米





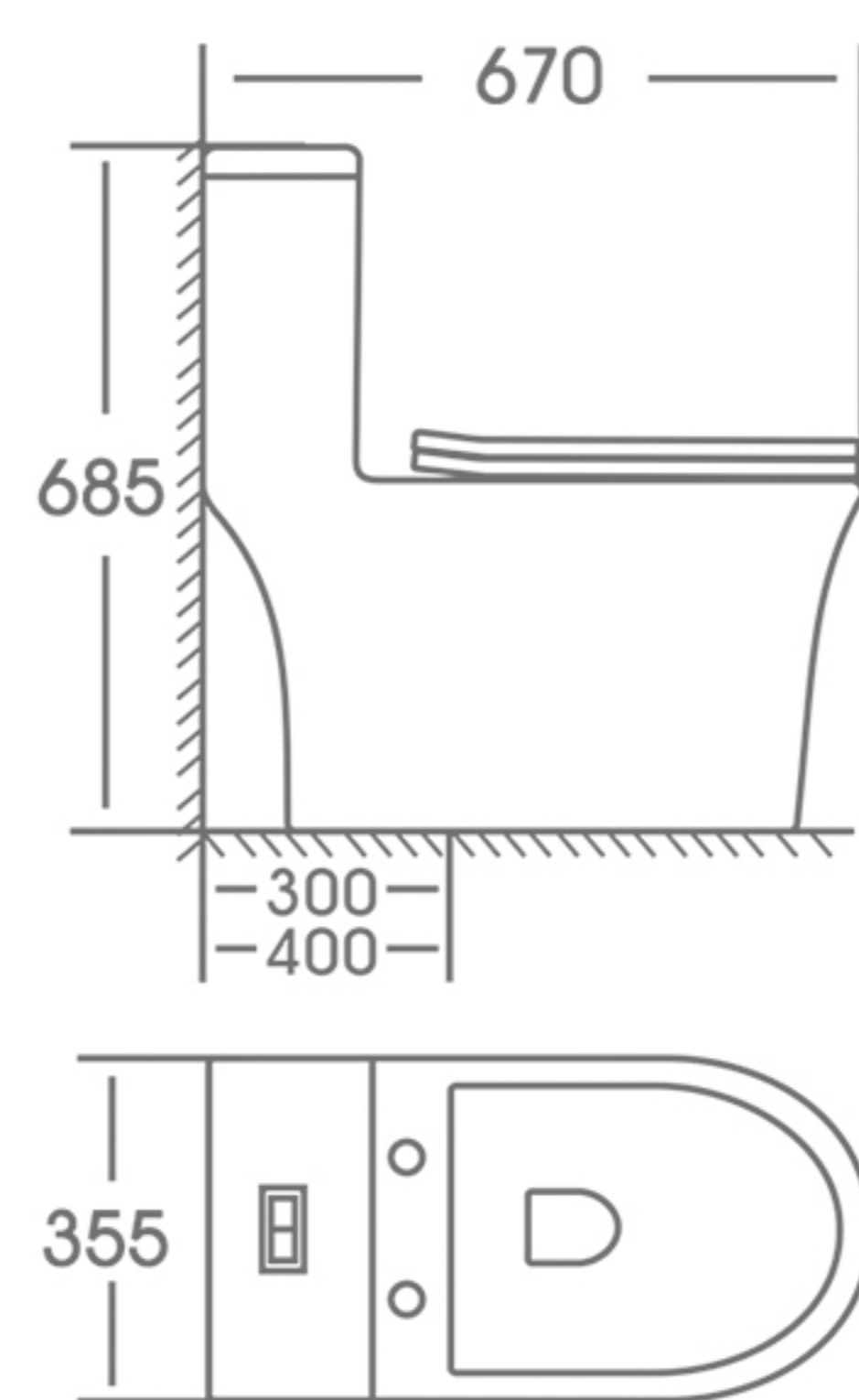
6830

Siphonic One-piece Closet

- Size: 670x355x685mm
- Vitreous china
- S-trap,300/400mm Roughing-in

虹吸式连体坐便器

- 大口径, 双孔超漩, 8.0大管道
- 尺寸: 670x355x685毫米
- 瓷质陶瓷
- 地排, 排污口中心离墙300/400毫米



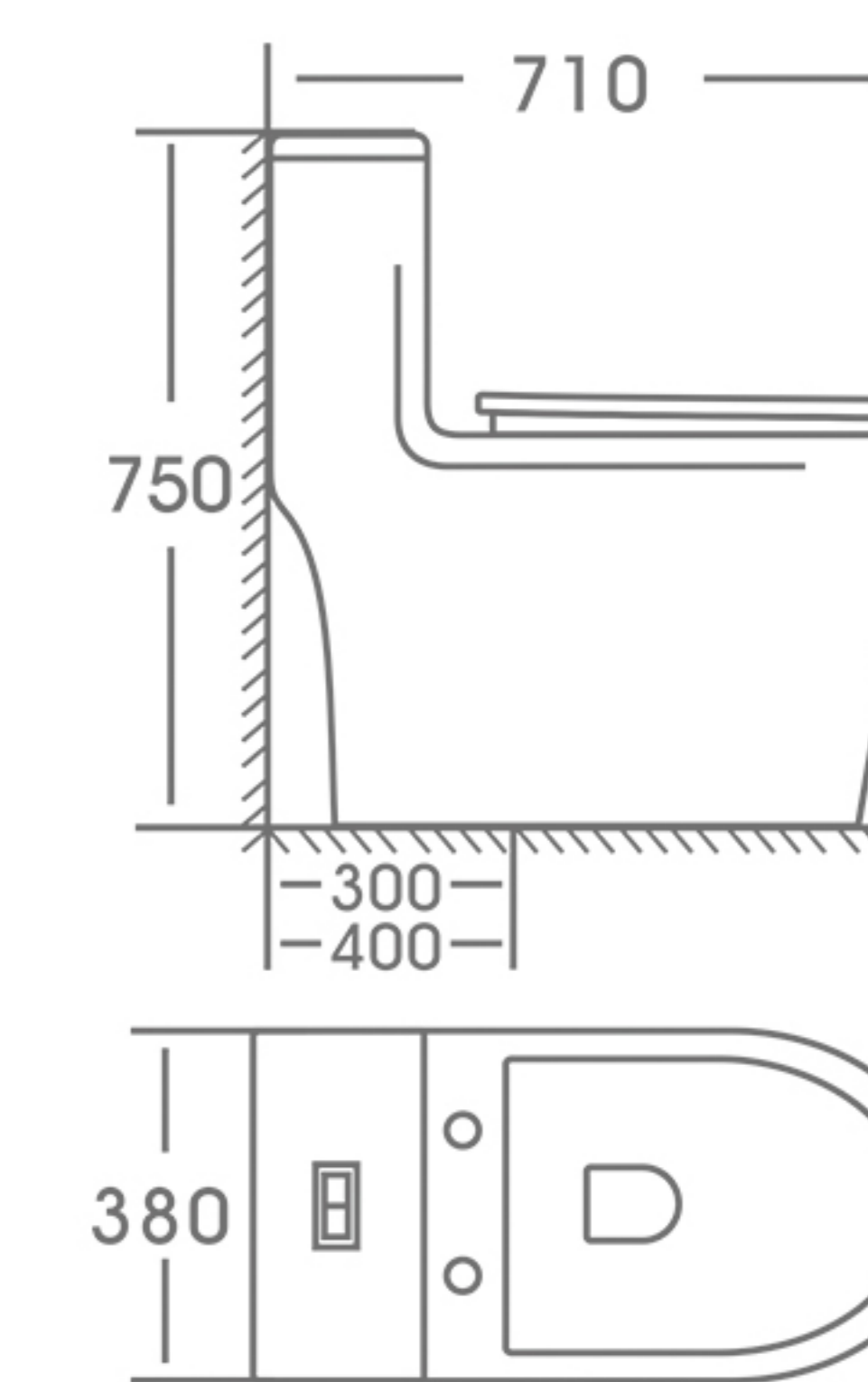
6833

Siphonic One-piece Closet

- Size: 710x380x750mm
- Vitreous china
- S-trap,300/400mm Roughing-in

虹吸式连体坐便器

- 大口径, 双孔超漩, 8.0大管道
- 尺寸: 710x380x750毫米
- 瓷质陶瓷
- 地排, 排污口中心离墙300/400毫米



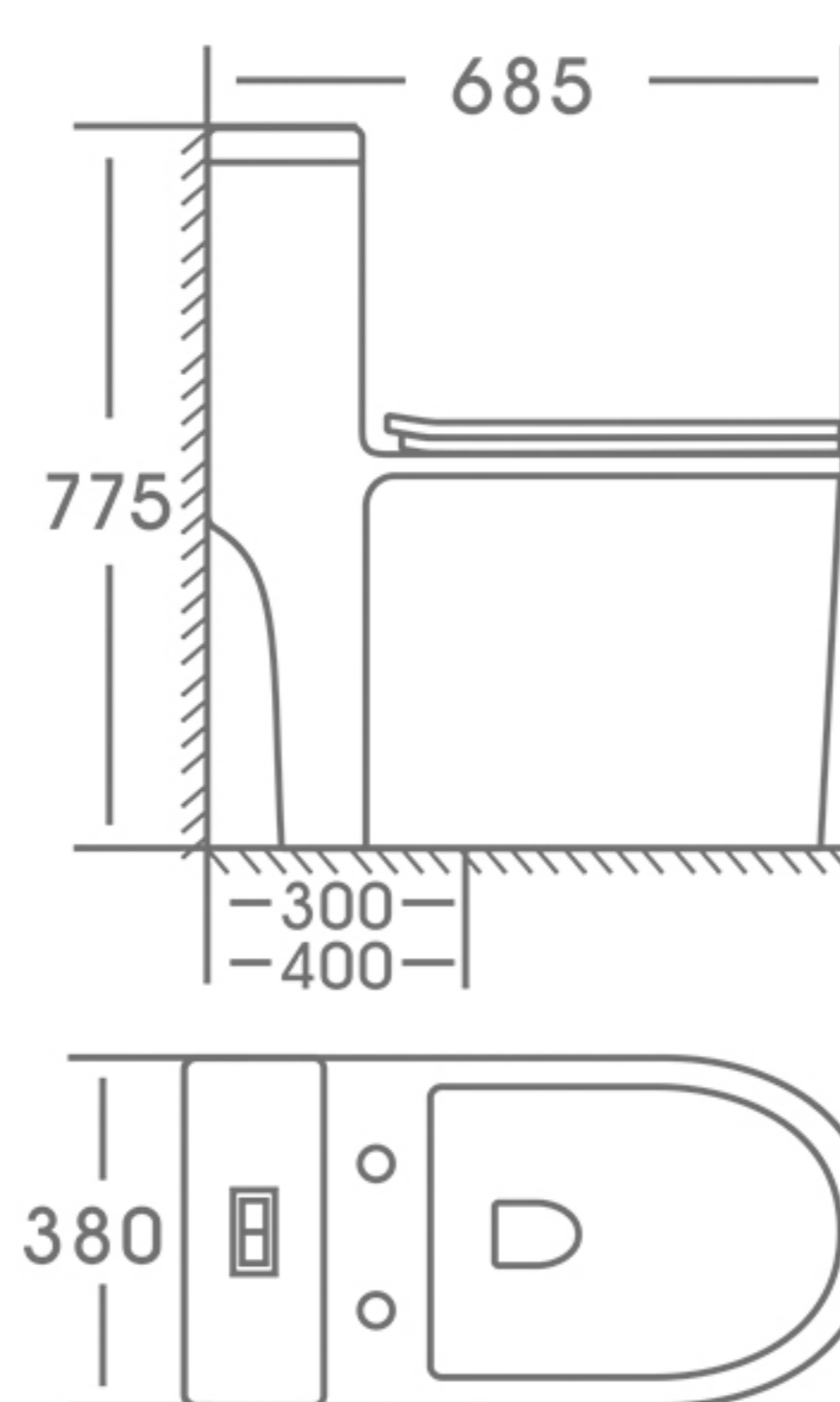
6831

Siphonic One-piece Closet

- Size: 685x380x775mm
- Vitreous china
- S-trap,300/400mm Roughing-in

虹吸式连体坐便器

- 大口径, 单孔超漩, 8.0大管道
- 尺寸: 685x380x775毫米
- 瓷质陶瓷
- 地排, 排污口中心离墙300/400毫米



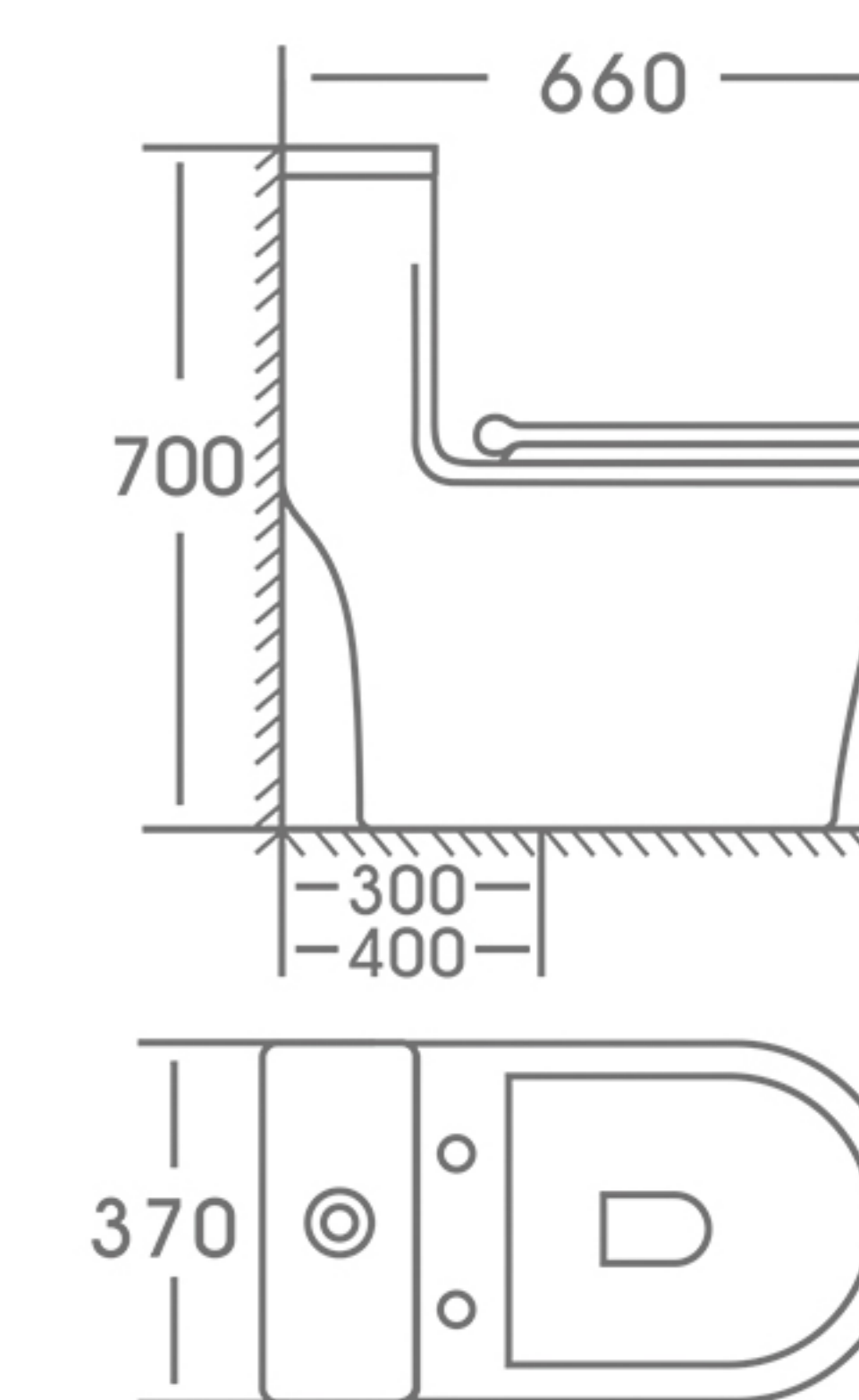
6834

Siphonic One-piece Closet

- Size: 680x390x775mm
- Vitreous china
- S-trap,300/400mm Roughing-in

虹吸式连体坐便器

- 大口径, 四孔超漩, 8.0大管道
- 尺寸: 680x390x775毫米
- 瓷质陶瓷
- 地排, 排污口中心离墙300/400毫米



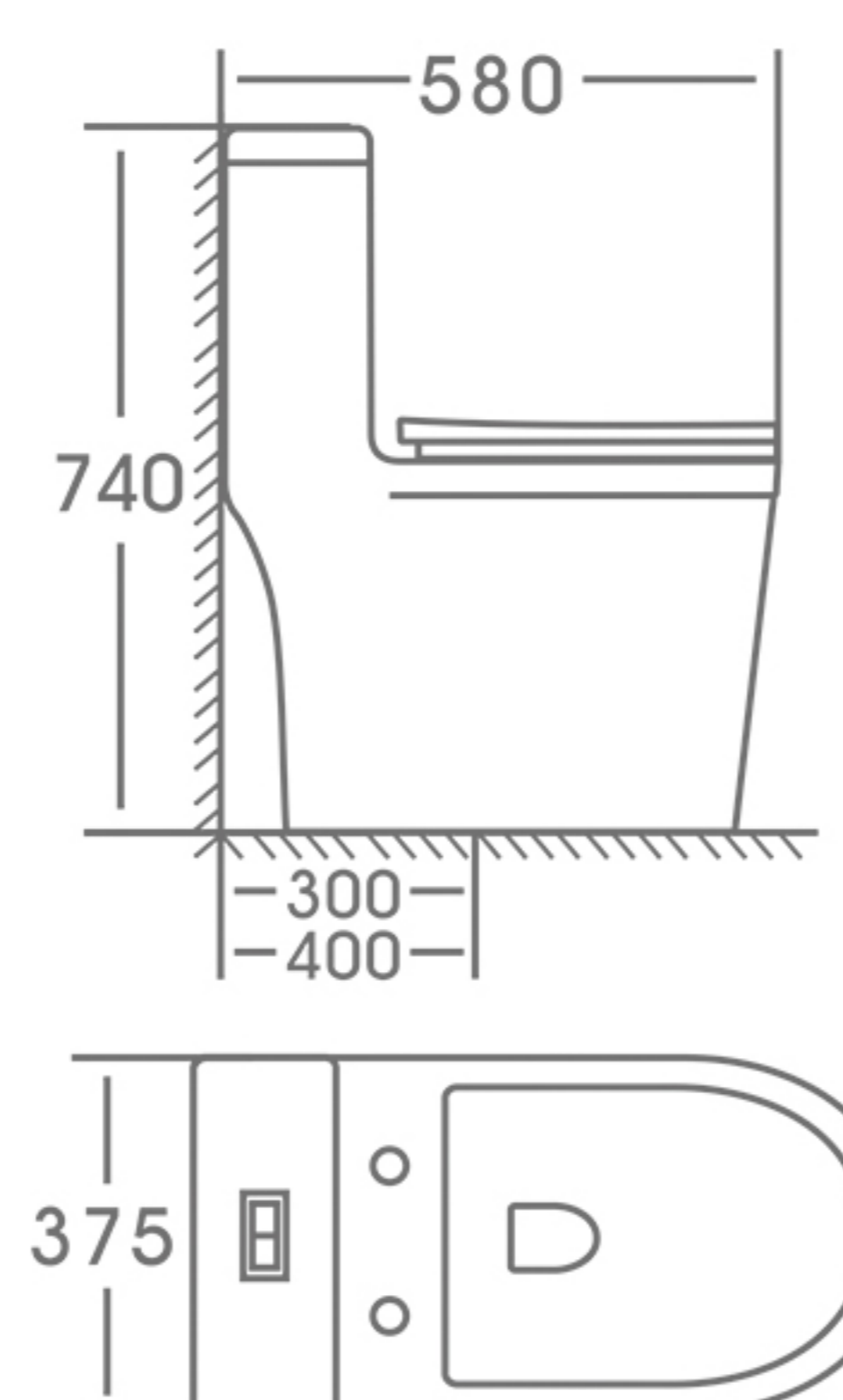
6832

Siphonic One-piece Closet

- Size: 580x375x740mm
- Vitreous china
- S-trap,300/400mm Roughing-in

虹吸式连体坐便器

- 大口径, 四孔超漩, 8.0大管道
- 尺寸: 580x375x740毫米
- 瓷质陶瓷
- 地排, 排污口中心离墙300/400毫米



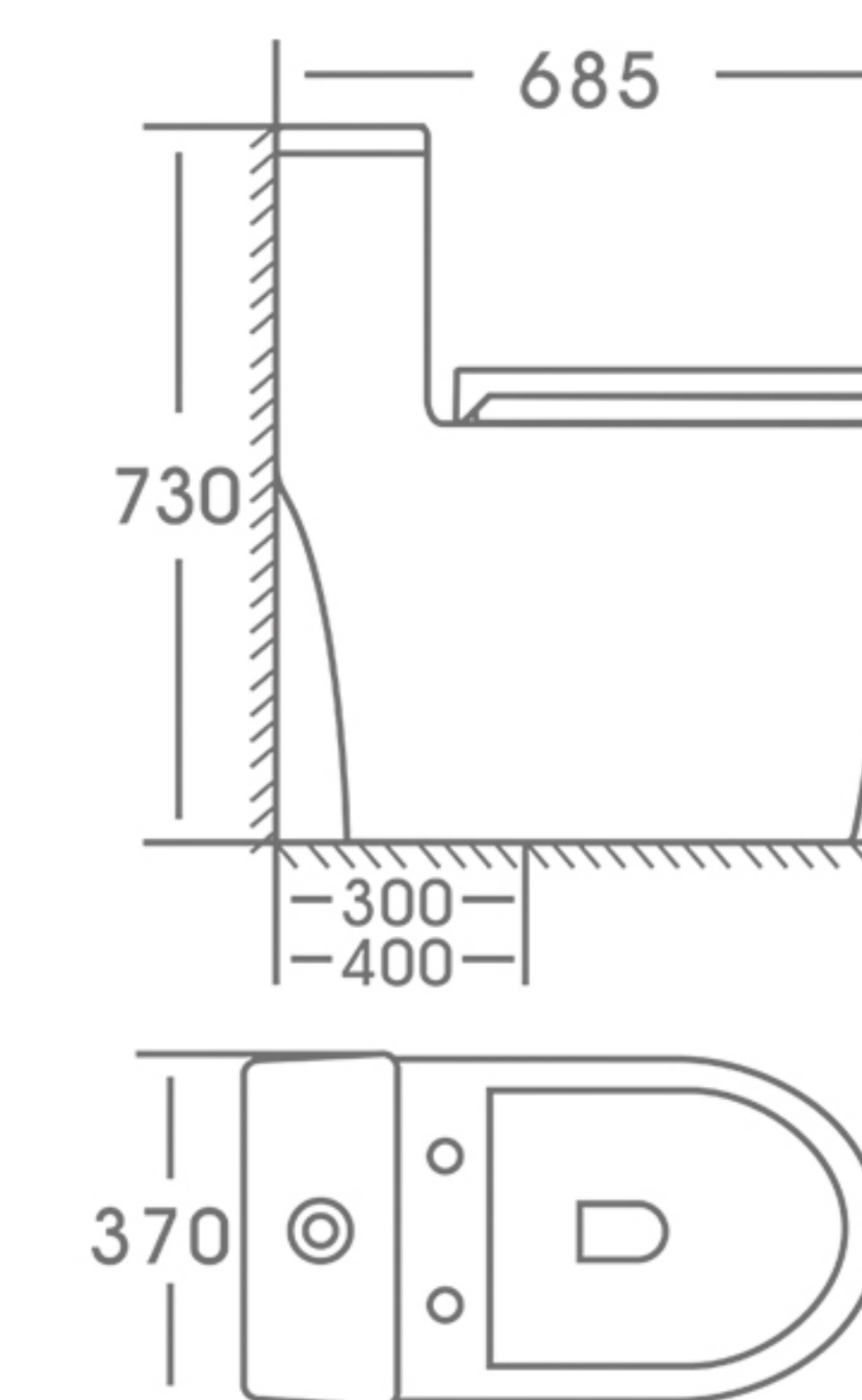
6835

Siphonic One-piece Closet

- Size: 680x370x730mm
- Vitreous china
- S-trap,300/400mm Roughing-in

虹吸式连体坐便器

- 大口径, 四孔超漩, 8.0大管道
- 尺寸: 680x370x730毫米
- 瓷质陶瓷
- 地排, 排污口中心离墙300/400毫米





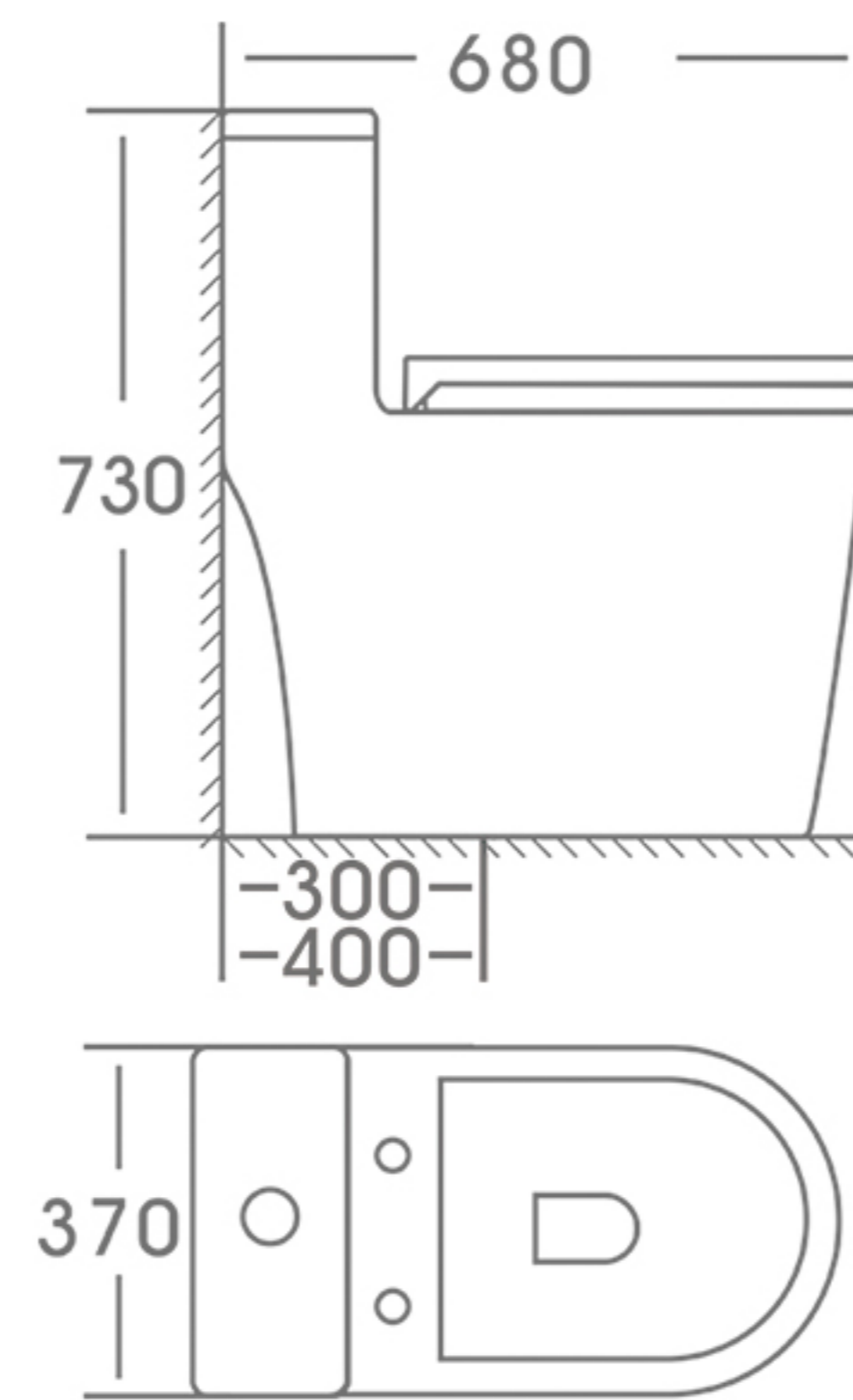
6836

Siphonic One-piece Closet

- Size: 680x370x730mm
- Vitreous china
- S-trap,300、400mm Roughing-in

虹吸式连体坐便器

- 大口径，四孔超漩，8.0大管道
- 尺寸：680x370x730毫米
- 瓷质陶瓷
- 地排，排污口中心离墙300/400毫米



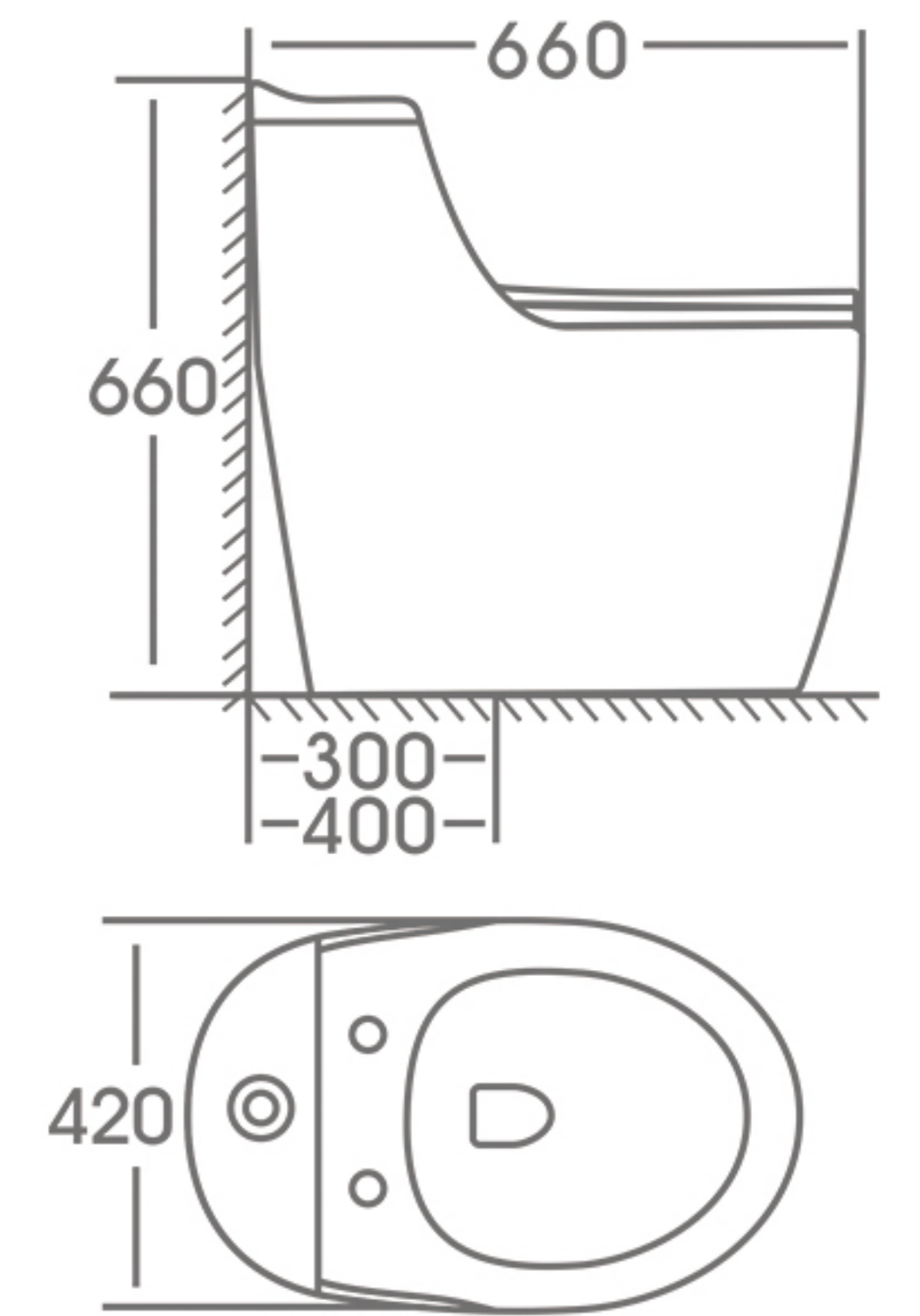
6839

Siphonic One-piece Closet

- Size: 660x420x660mm
- Vitreous china
- S-trap,300、400mm Roughing-in

虹吸式连体坐便器

- 大口径，8.0大管道
- 尺寸：660x420x660毫米
- 瓷质陶瓷
- 地排，排污口中心离墙300/400毫米



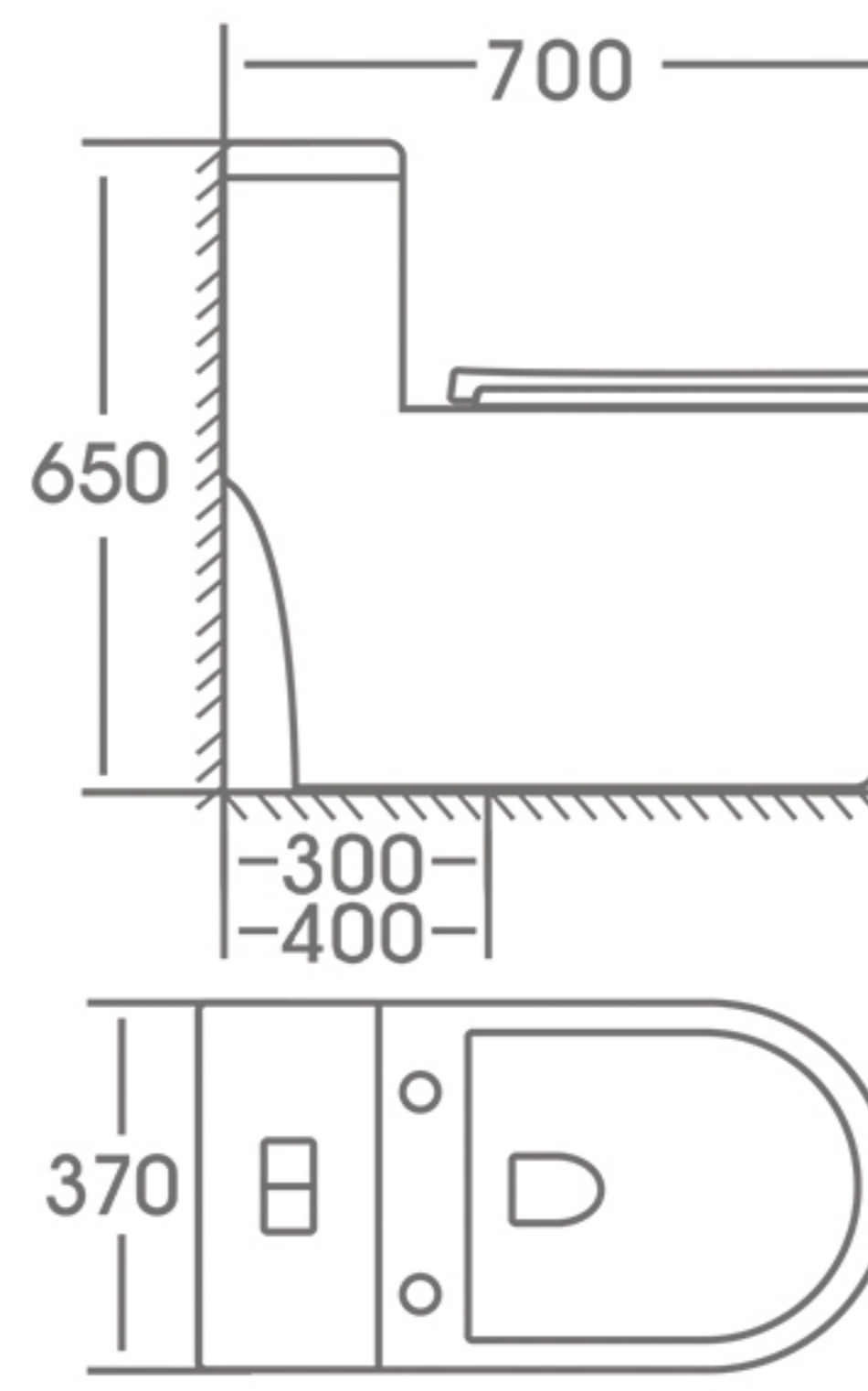
6837

Siphonic One-piece Closet

- Size: 700x370x650mm
- Vitreous china
- S-trap,300、400mm Roughing-in

虹吸式连体坐便器

- 大口径，单孔超漩，8.0大管道
- 尺寸：700x370x650毫米
- 瓷质陶瓷
- 地排，排污口中心离墙300/400毫米



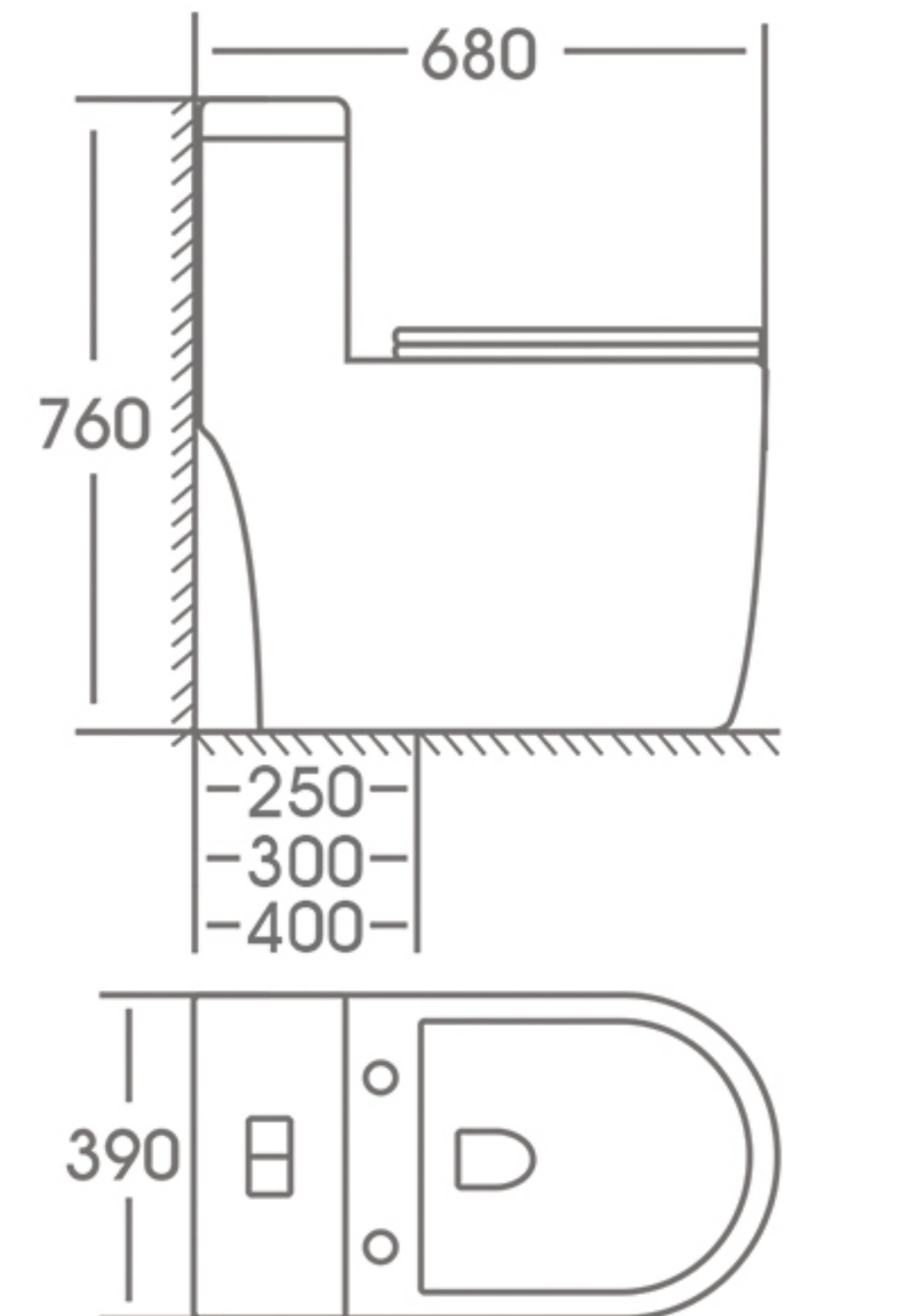
6850

Siphonic One-piece Closet

- Size: 680x390x760mm
- Vitreous china
- S-trap,250/300/400mm Roughing-in

虹吸式连体坐便器

- 大口径，8.0大管道
- 尺寸：680x390x760毫米
- 瓷质陶瓷
- 地排，排污口中心离墙250/300/400毫米



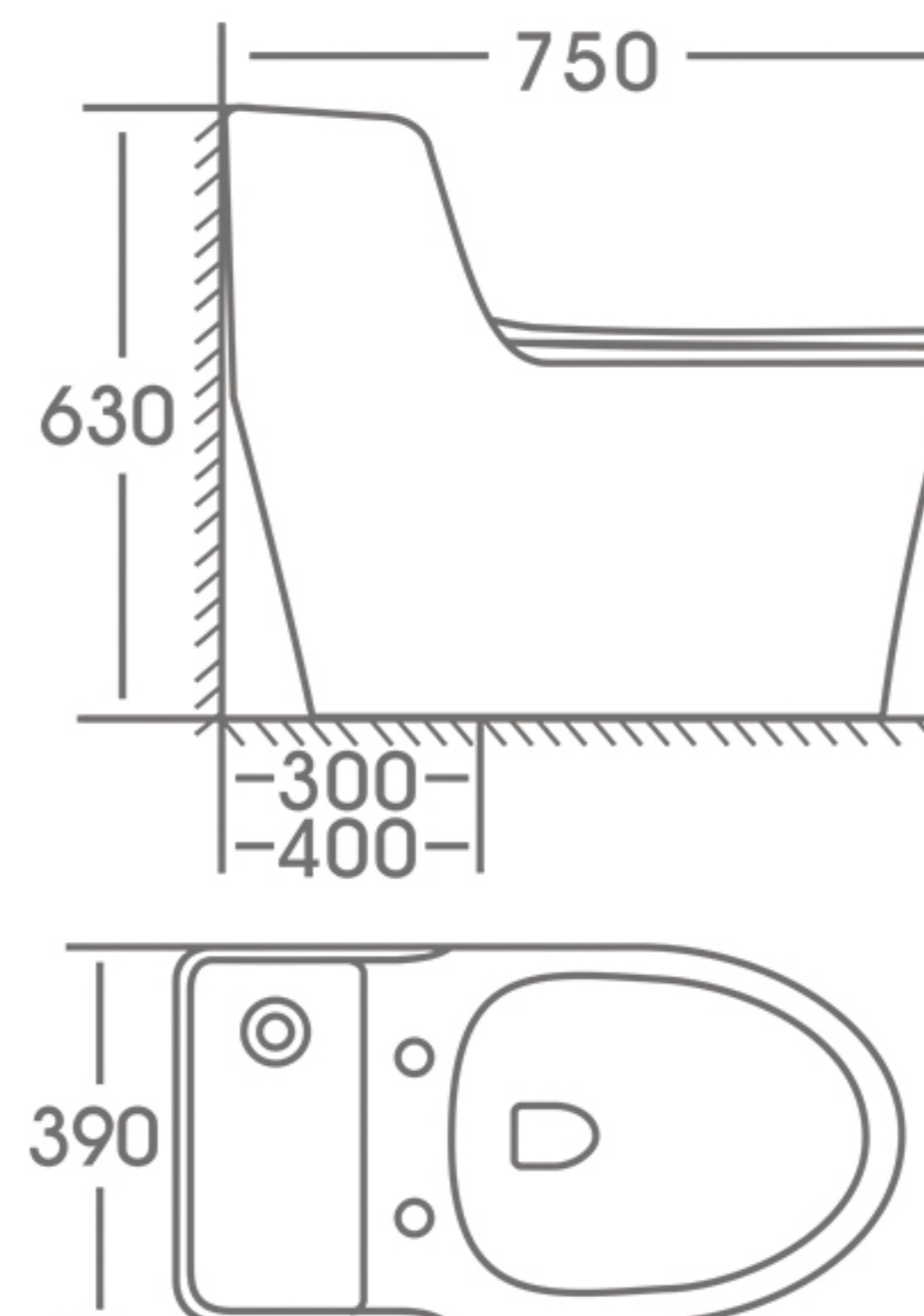
6838

Siphonic One-piece Closet

- Size: 750x390x630mm
- Vitreous china
- S-trap,300、400mm Roughing-in

虹吸式连体坐便器

- 尺寸：750x390x630毫米
- 瓷质陶瓷
- 地排，排污口中心离墙300/400毫米



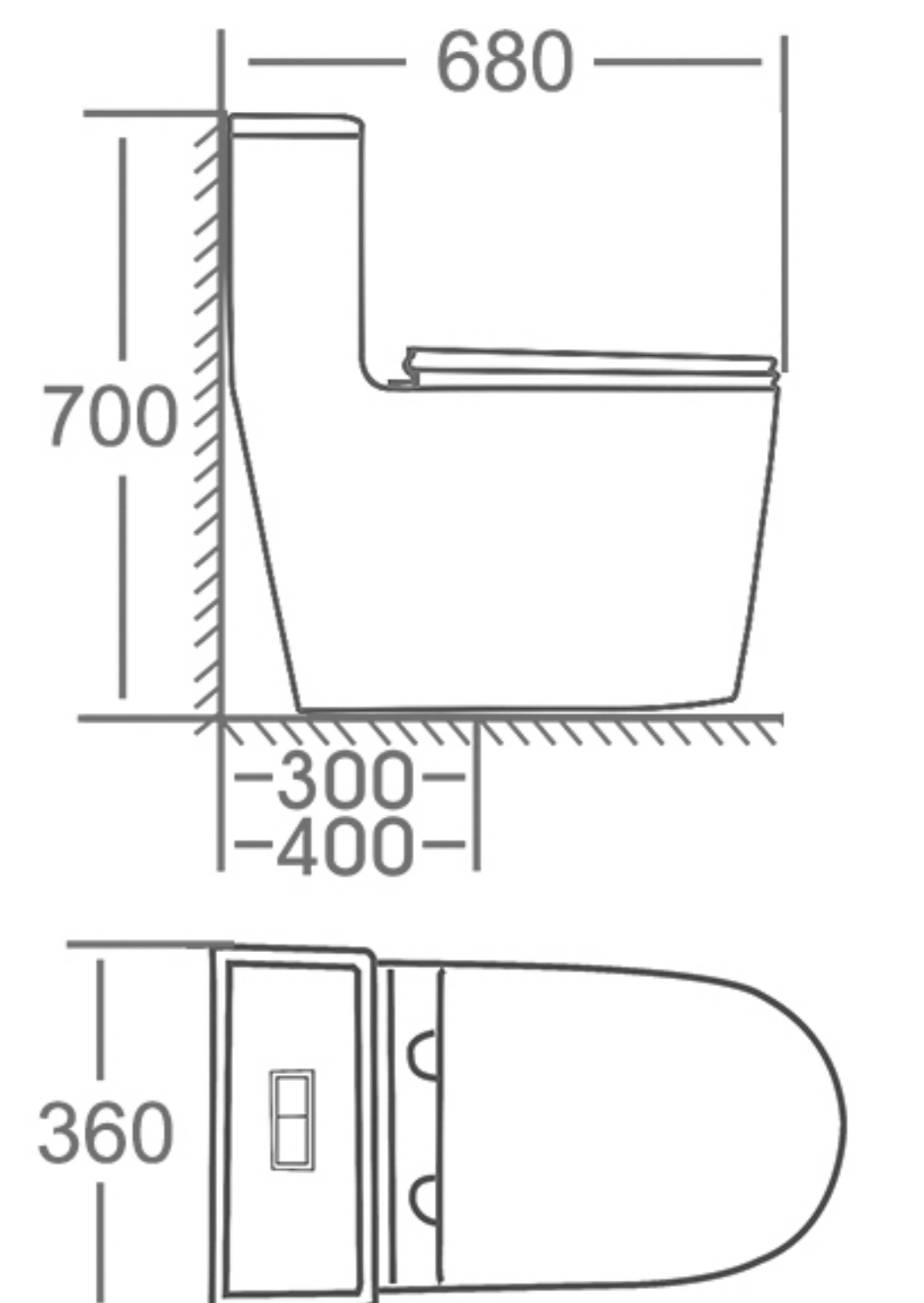
6851

Siphonic One-piece Closet

- Size: 680x360x700mm
- Vitreous china
- S-trap,300、400mm Roughing-in

虹吸式连体坐便器

- 尺寸：680x360x700毫米
- 瓷质陶瓷
- 地排，排污口中心离墙300/400毫米



SMART TIME

Comfort Intelligent Toilet Series



No Water Pressure Limit (Optional)

•Top Edition D •High-end Version C •Standard Version B •Simplified Version A

TECHNOLOGY

AI Intelligent Art



All configurations can be equipped with optional water tank without water pressure limit S
 隐藏式水箱无水压限制 (可选配S)



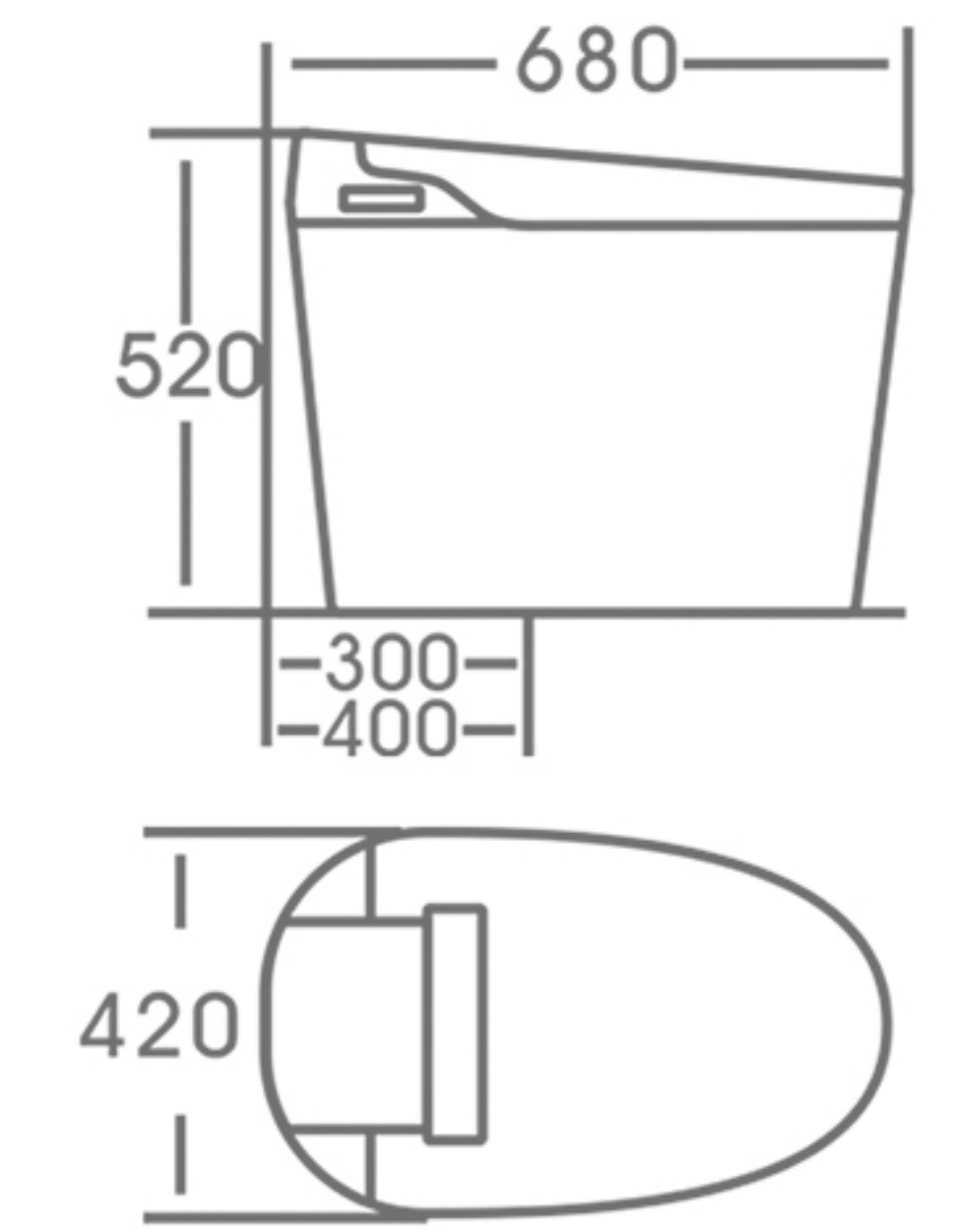
601-1

Intelligent Toilet

- Size: 680x420x520mm
- Power Supply: 220V
- S-trap, 300/400mm Roughing-in

智能坐便器

- 尺寸：680x420x520毫米
- 额定电压：220V
- 地排，排污口中心离墙300/400毫米



Simplified Version 简配版	Standard version A 标配版 A	High end version B 高配版 B	High end version C 顶配版 C
Manual flip-up 手动翻盖	Manual flip-up 手动翻盖	Automatic flip-up 自动翻盖	Automatic flip-up 自动翻盖
Flush after leaving the seat 离座冲水	Hip cleaning 喷杆自洁	Foot inductive flushing 脚感翻圈	AI Intelligent Control AI语音智控
seat ring heating 座圈加热	Intelligent control knob 智控旋钮	APP control APP操控	Splashing Foam Shield 泡沫盾
	LCD 液晶显示屏	Hip cleaning 喷杆自洁	APP control APP操控
	Feminine cleansing 女性清洗	LCD 液晶显示屏	APP操控 APP操控
	Buttocks cleaning 臀部清洗	Feminine cleansing 女性清洗	Hip cleaning 喷杆自洁
	One-click cleaning 一键清洗	Buttocks cleaning 臀部清洗	LCD 液晶显示屏
	Intelligent remote control 智能遥控	One-click cleaning 一键清洗	Feminine cleansing 女性清洗
	Warm air drying 暖风烘干	Intelligent remote control 智能遥控	Buttocks cleaning 臀部清洗
	Self-cleaning nozzle 喷头自洁	Warm air drying 暖风烘干	One-click cleaning 一键清洗
	Nozzle adjustment 喷头调节	Self-cleaning nozzle 喷头自洁	Intelligent remote control 智能遥控
	Air temperature adjustment 风温调节	Nozzle adjustment 喷头调节	Warm air drying 暖风烘干
	Water temperature adjustment 水温调节	Air temperature adjustment 风温调节	Self-cleaning nozzle 喷头自洁
		Water temperature adjustment 水温调节	Nozzle adjustment 喷头调节
			Air temperature adjustment 风温调节
			Water temperature adjustment 水温调节

Function Configuration 基础配置

- | | | | |
|-----------------------|-------------------------|--------------------|------------------------------|
| Power outage flushing | Seated induction | Leakage protection | Thermostatic Seat |
| Mute slow drop | Foot inductive flushing | Night lighting | Flush after leaving the seat |
| Wetted porcelain wall | IPX4 waterproof | | |
- 停电冲水 入座感应 漏电保护 恒温座圈 静音缓降 脚感冲水 夜间照明 离座冲水 湿润瓷壁 IPX4防水



FUNCTION CONFIGURATION 基础配置

Power outage flushing 停电冲水	Seated induction 入座感应	Leakage protection 漏电保护
Thermostatic Seat 恒温座圈	Mute slow drop 静音缓降	Foot inductive flushing 脚感冲水
Night lighting 夜间照明	Flush after leaving the seat 离座冲水	Wetted porcelain wall 湿润瓷壁
IPX4 waterproof IPX4防水		

**IMMEDIATE
HEAT**



○ White Edge

● Black Edge

All configurations can be equipped with optional water tank without water pressure limit S
隐藏式水箱无水压限制 (可选配S)

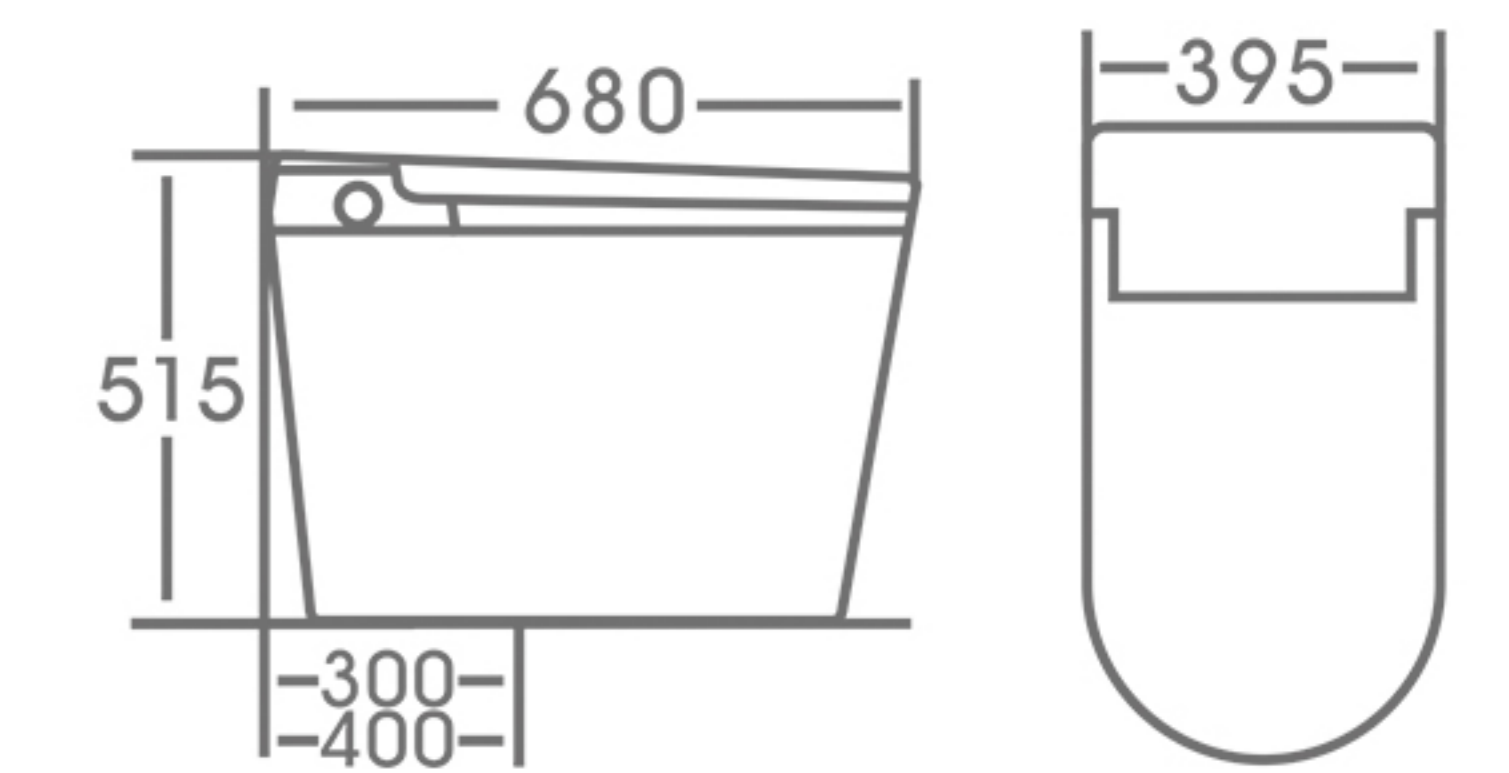
602-1

Intelligent Toilet

- Size: 680x395x515mm
- Power Supply: 220V
- S-trap, 300/400mm Roughing-in

智能坐便器

- 尺寸：680x395x515毫米
- 额定电压：220V
- 地排，排污口中心离墙300/400毫米



Simplified Version 简配版	Standard version A 标配版 A	High end version B 高配版 B	High end version C 顶配版 C
Manual flip-up 手动翻盖	Manual flip-up 手动翻盖	Automatic flip-up 自动翻盖	Automatic flip-up 自动翻盖
Flush after leaving the seat 离座冲水	Hip cleaning 喷杆自洁	Foot inductive flushing 脚感翻圈	AI Intelligent Control AI语音智控
seat ring heating 座圈加热	Intelligent control knob 智控旋钮	APP control APP操控	Splashing Foam Shield 泡沫盾
	LCD 液晶显示屏	Hip cleaning 喷杆自洁	APP control APP操控
	Feminine cleansing 女性清洗	LCD 液晶显示屏	Hip cleaning 喷杆自洁
	Buttocks cleaning 臀部清洗	Feminine cleansing 女性清洗	LCD 液晶显示屏
	One-click cleaning 一键清洗	Buttocks cleaning 臀部清洗	Feminine cleansing 女性清洗
	Intelligent remote control 智能遥控	One-click cleaning 一键清洗	Buttocks cleaning 臀部清洗
	Warm air drying 暖风烘干	Intelligent remote control 智能遥控	One-click cleaning 一键清洗
	Self-cleaning nozzle 喷头自洁	Warm air drying 暖风烘干	Intelligent remote control 智能遥控
	Nozzle adjustment 喷头调节	Self-cleaning nozzle 喷头自洁	Warm air drying 暖风烘干
	Air temperature adjustment 风温调节	Nozzle adjustment 喷头调节	Self-cleaning nozzle 喷头自洁
	Water temperature adjustment 水温调节	Air temperature adjustment 风温调节	Nozzle adjustment 喷头调节
		Water temperature adjustment 水温调节	Air temperature adjustment 风温调节
			Water temperature adjustment 水温调节



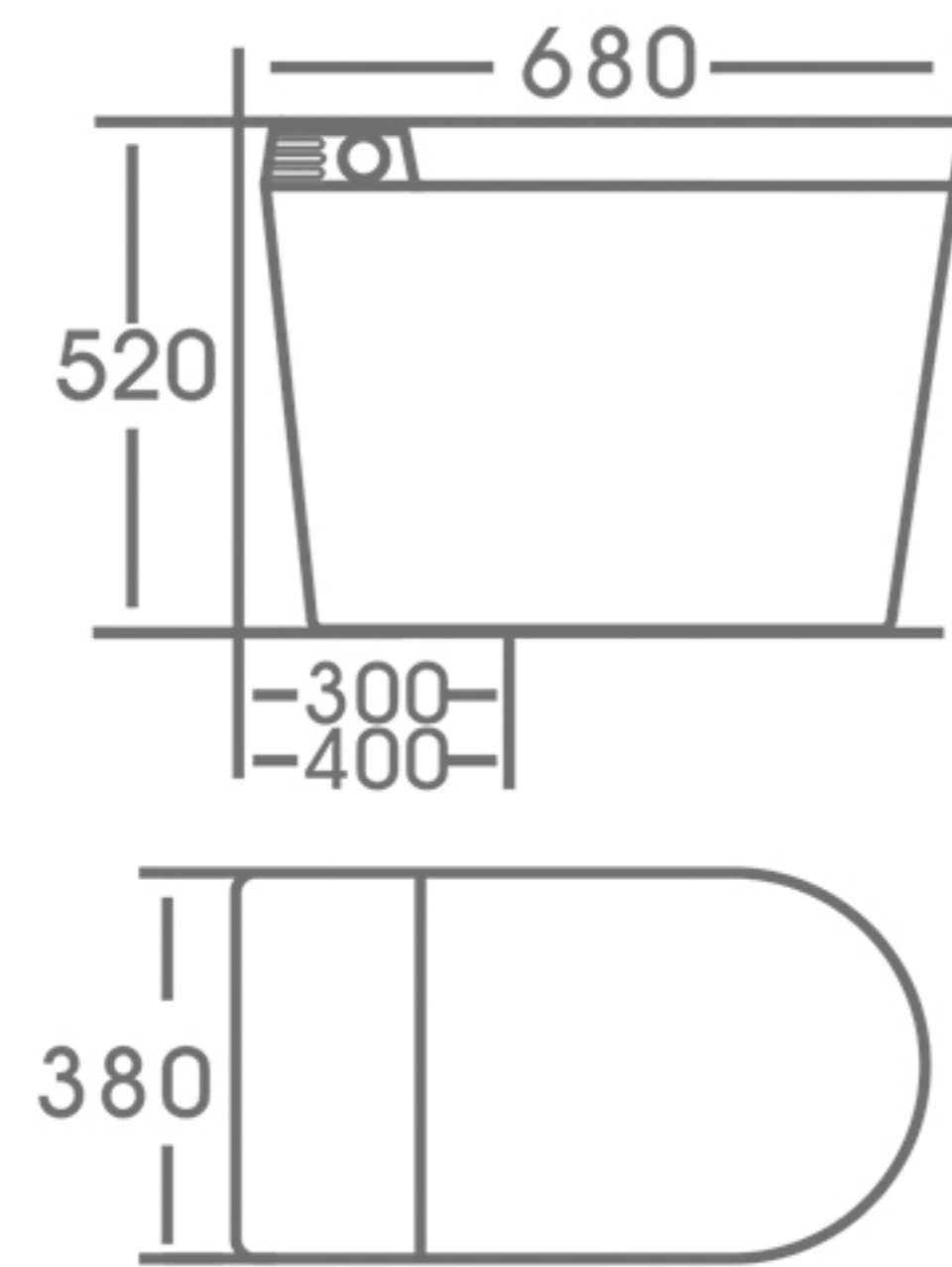
602-2

Intelligent Toilet

- Size: 680x420x520mm
- Power Supply: 220V
- S-trap, 300/400mm Roughing-in

智能坐便器

- 尺寸：680x420x520毫米
- 额定电压：220V
- 地排，排污口中心离墙300/400毫米



All configurations can be equipped with optional water tank without water pressure limit S
隐藏式水箱无水压限制 (可选配S)



● Grey

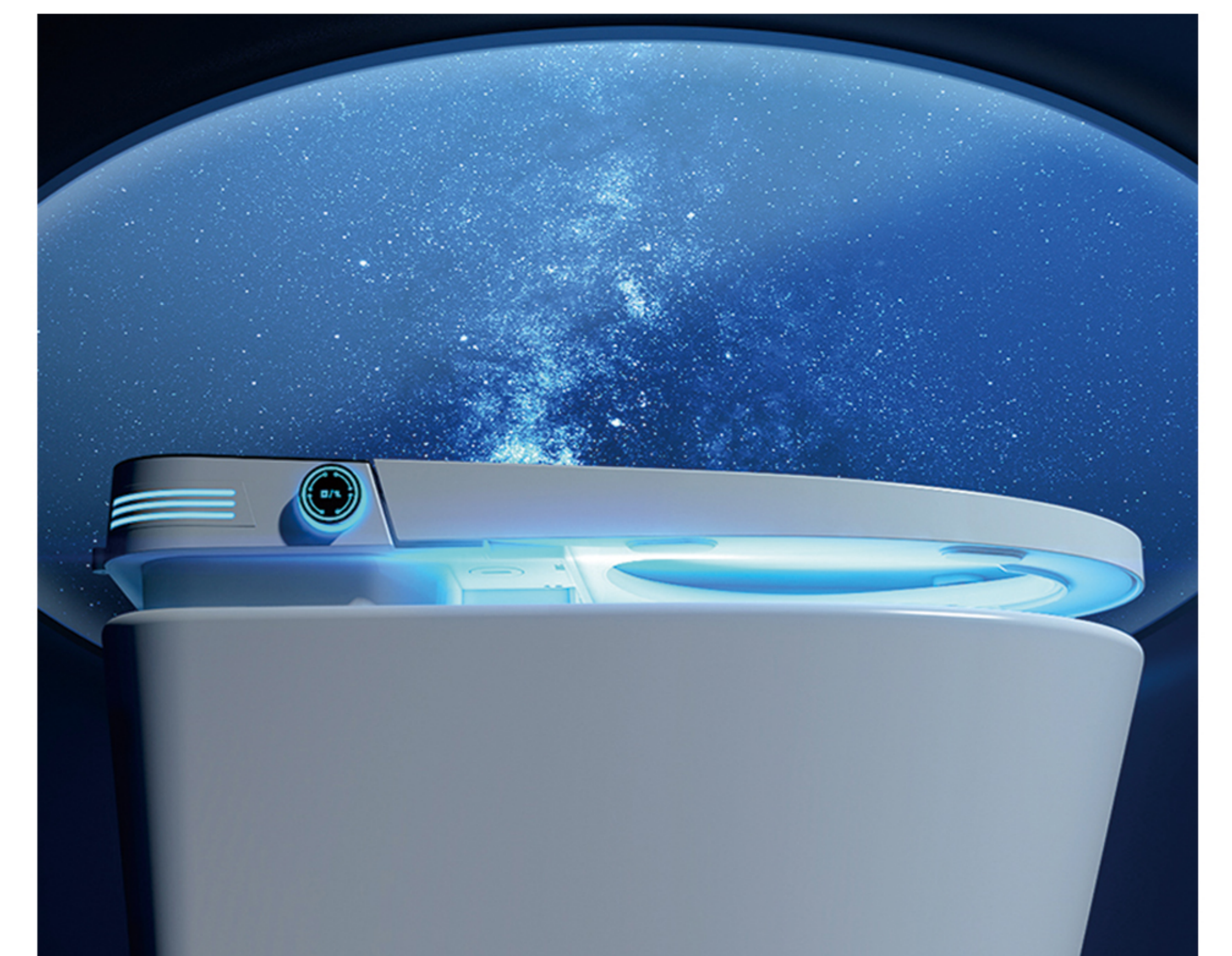


● Black

Simplified Version 简配版	Standard version A 标配版 A	High end version B 高配版 B	High end version C 顶配版 C
Manual flip-up 手动翻盖	Manual flip-up 手动翻盖	Automatic flip-up 自动翻盖	Automatic flip-up 自动翻盖
Flush after leaving the seat 离座冲水	Hip cleaning 喷杆自洁	Foot inductive flushing 脚感翻圈	AI Intelligent Control AI语音智控
seat ring heating 座圈加热	Intelligent control knob 智控旋钮	Ambient lighting 动感氛围灯	Splashing Foam Shield 泡沫盾
	LCD 液晶显示屏	APP control APP操控	Ambient lighting 动感氛围灯
	Feminine cleansing 女性清洗	Hip cleaning 喷杆自洁	APP control APP操控
	Buttocks cleaning 臀部清洗	LCD 液晶显示屏	Hip cleaning 喷杆自洁
	One-click cleaning 一键清洗	Feminine cleansing 女性清洗	LCD 液晶显示屏
	Intelligent remote control 智能遥控	Buttocks cleaning 臀部清洗	Feminine cleansing 女性清洗
	Warm air drying 暖风烘干	One-click cleaning 一键清洗	Buttocks cleaning 臀部清洗
	Self-cleaning nozzle 喷头自洁	Intelligent remote control 智能遥控	One-click cleaning 一键清洗
	Nozzle adjustment 喷头调节	Warm air drying 暖风烘干	Intelligent remote control 智能遥控
	Air temperature adjustment 风温调节	Self-cleaning nozzle 喷头自洁	Warm air drying 暖风烘干
	Water temperature adjustment 水温调节	Nozzle adjustment 喷头调节	Self-cleaning nozzle 喷头自洁
		Air temperature adjustment 风温调节	Nozzle adjustment 喷头调节
		Water temperature adjustment 水温调节	Air temperature adjustment 风温调节
			Water temperature adjustment 水温调节



FUNCTION CONFIGURATION 基础配置			
Power outage flushing 停电冲水	Seated induction 入座感应	Leakage protection 漏电保护	
Thermostatic Seat 恒温座圈	Mute slow drop 静音缓降	Foot inductive flushing 脚感冲水	
Night lighting 夜间照明	Flush after leaving the seat 离座冲水	Wetted porcelain wall 湿润瓷壁	
IPX4 waterproof IPX4防水			



SMART Space-Time



All configurations can be equipped with optional water tank without water pressure limit S
隐藏式水箱无水压限制 (可选配S)



● White

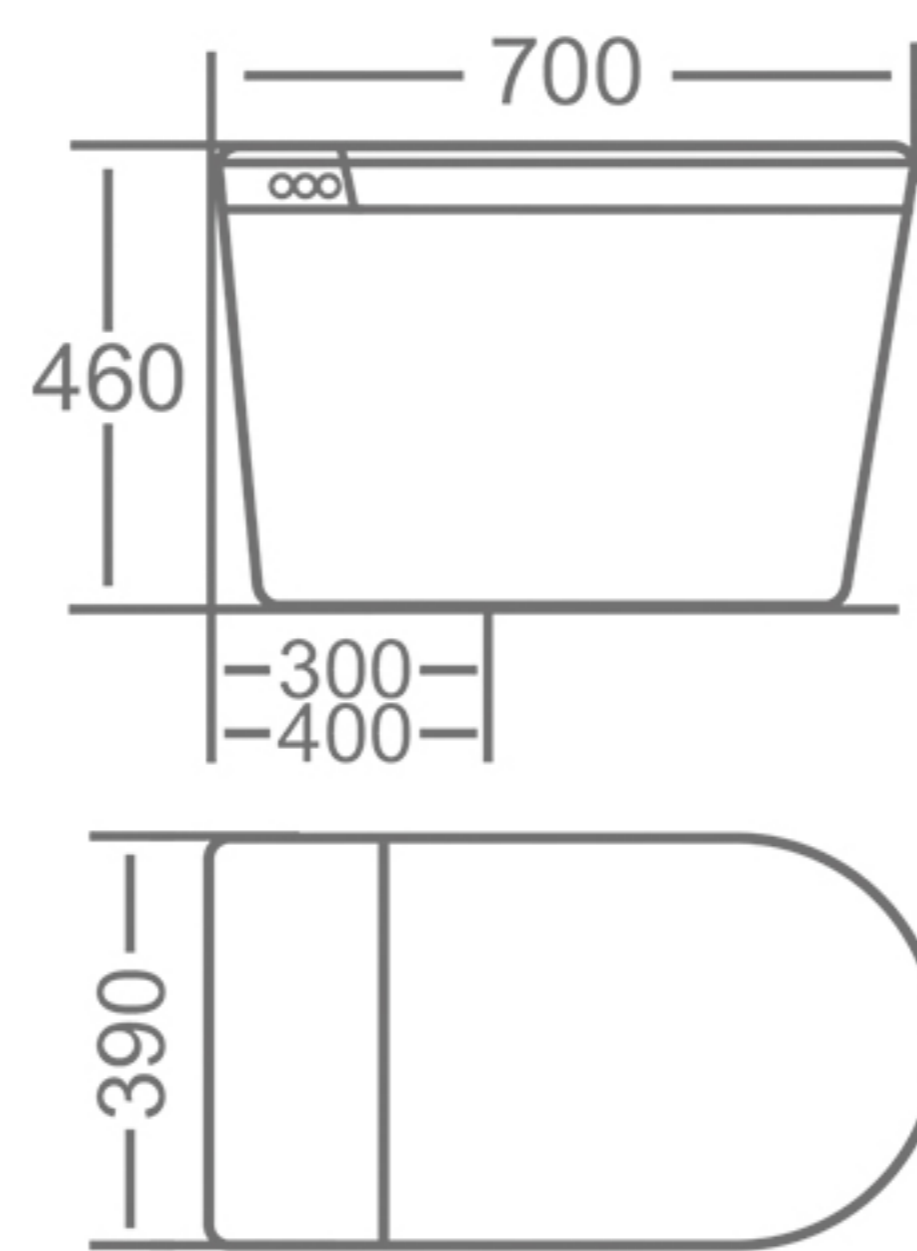
604-1

Intelligent Toilet

- Size: 700x390x460mm
- Power Supply: 220V
- S-trap, 300/400mm Roughing-in

智能坐便器

- 尺寸：700x390x460毫米
- 额定电压：220V
- 地排，排污口中心离墙300/400毫米



FUNCTION CONFIGURATION 基础配置

Power outage flushing 停电冲水	Seated induction 入座感应	Leakage protection 漏电保护
Thermostatic Seat 恒温座圈	Mute slow drop 静音缓降	Foot inductive flushing 脚感冲水
Night lighting 夜间照明	Flush after leaving the seat 离座冲水	Wetted porcelain wall 湿润瓷壁
IPX4 waterproof IPX4防水		

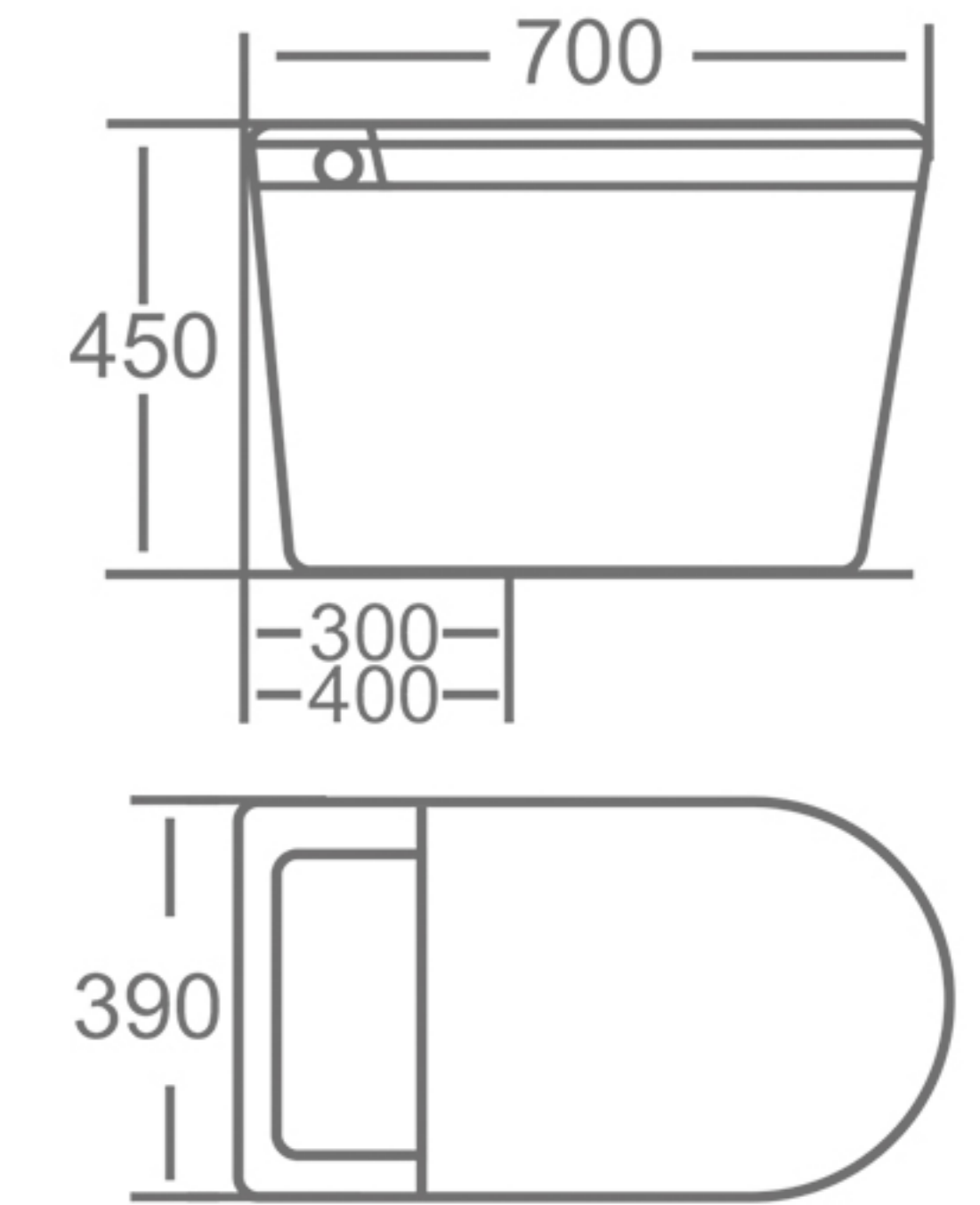
604-2

Intelligent Toilet

- Size: 700x390x450mm
- Power Supply: 220V
- S-trap, 300/400mm Roughing-in

智能坐便器

- 尺寸：700x390x450毫米
- 额定电压：220V
- 地排，排污口中心离墙300/400毫米



All configurations can be equipped with optional water tank without water pressure limit S
隐藏式水箱无水压限制 (可选配S)



● Grey



● Black

Simplified Version 简配版	Standard version A 标配版 A	High end version B 高配版 B	High end version C 顶配版 C
Manual flip-up 手动翻盖	Manual flip-up 手动翻盖	Automatic flip-up 自动翻盖	Automatic flip-up 自动翻盖
Flush after leaving the seat 离座冲水	Hip cleaning 喷杆自洁	Foot inductive flushing 脚感翻圈	AI Intelligent Control AI语音智控
seat ring heating 座圈加热	Intelligent control knob 智控旋钮	Ambient lighting 动感氛围灯	Splashing Foam Shield 泡沫盾
	LCD 液晶显示屏	APP control APP操控	Ambient lighting 动感氛围灯
	Feminine cleansing 女性清洗	Hip cleaning 喷杆自洁	APP control APP操控
	Buttcks cleaning 臀部清洗	LCD 液晶显示屏	Hip cleaning 喷杆自洁
	One-click cleaning 一键清洗	Feminine cleansing 女性清洗	LCD 液晶显示屏
	Intelligent remote control 智能遥控	Buttcks cleaning 臀部清洗	Feminine cleansing 女性清洗
	Warm air drying 暖风烘干	One-click cleaning 一键清洗	Buttcks cleaning 臀部清洗
	Self-cleaning nozzle 喷头自洁	Intelligent remote control 智能遥控	One-click cleaning 一键清洗
	Nozzle adjustment 喷头调节	Warm air drying 暖风烘干	Intelligent remote control 智能遥控
	Air temperature adjustmen 风温调节	Self-cleaning nozzle 喷头自洁	Warm air drying 暖风烘干
	Water temperature adjustment 水温调节	Nozzle adjustment 喷头调节	Self-cleaning nozzle 喷头自洁
		Air temperature adjustmen 风温调节	Nozzle adjustment 喷头调节
		Water temperature adjustment 水温调节	Air temperature adjustmen 风温调节
			Water temperature adjustment 水温调节

Suspended Aesthetics



WALL-HUNG CLOSET



White style



Black style

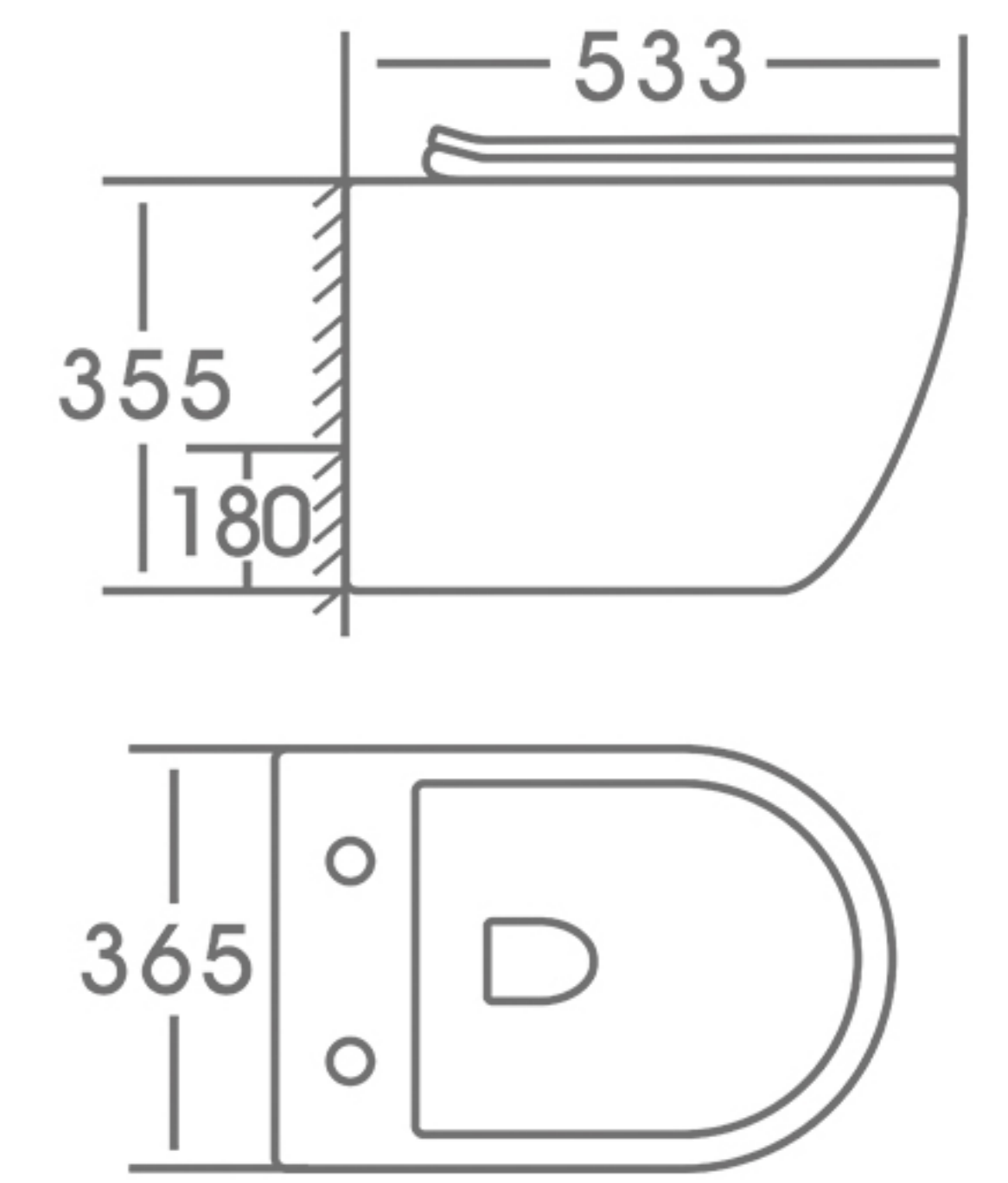
101

Rimless Wall-hung Closet

- Size: 533x365x355mm
- Vitreous china
- P-trap, 180mm Roughing-in

挂便式坐便器

- 尺寸：533X365X355毫米
- 瓷质陶瓷
- 横排，排污口中心离地180毫米



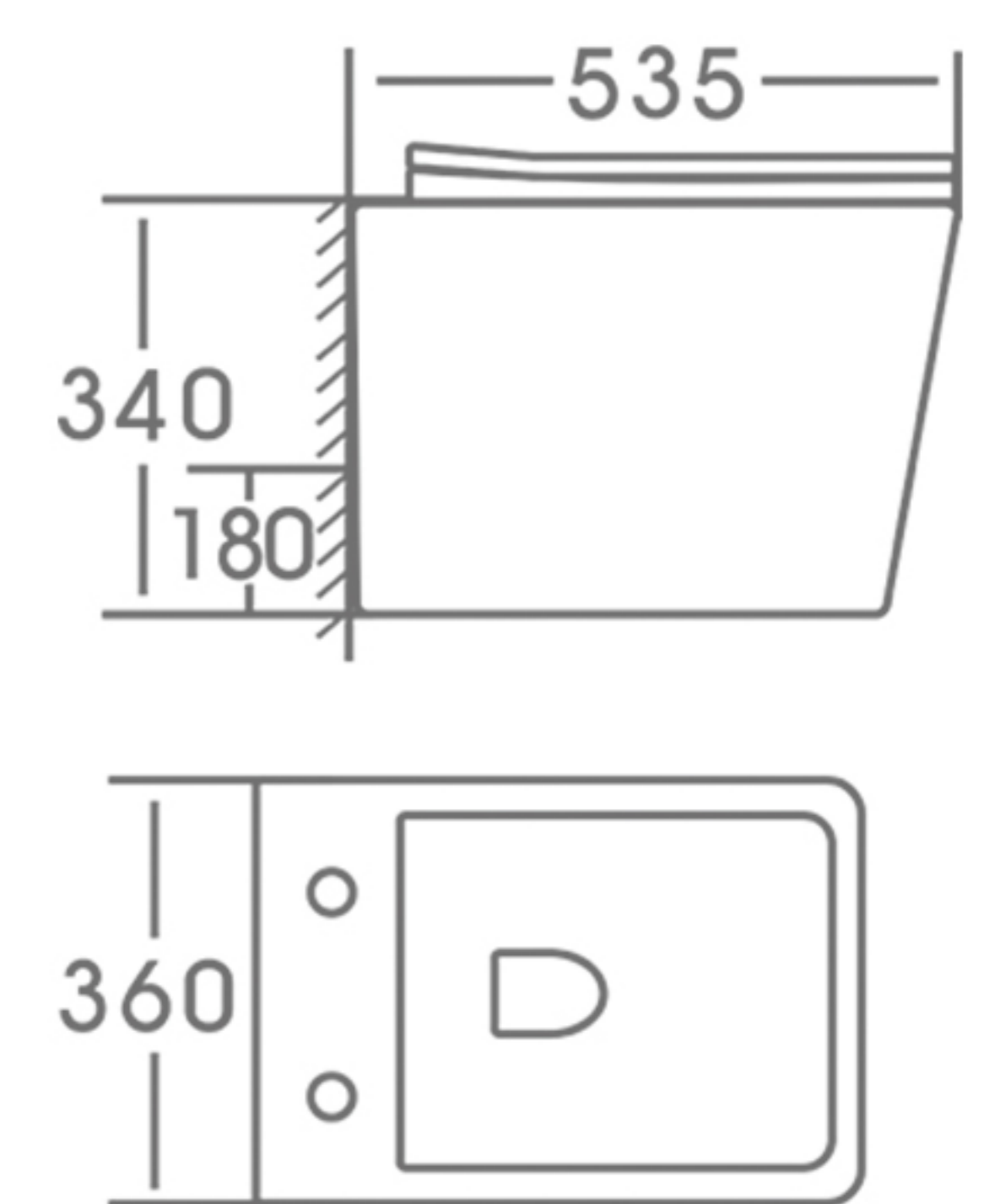
102

Rimless Wall-hung Closet

- Size: 535x360x340mm
- Vitreous china
- P-trap, 180mm Roughing-in

挂便式坐便器

- 尺寸：535X360X340毫米
- 瓷质陶瓷
- 横排，排污口中心离地180毫米



White style



Black style





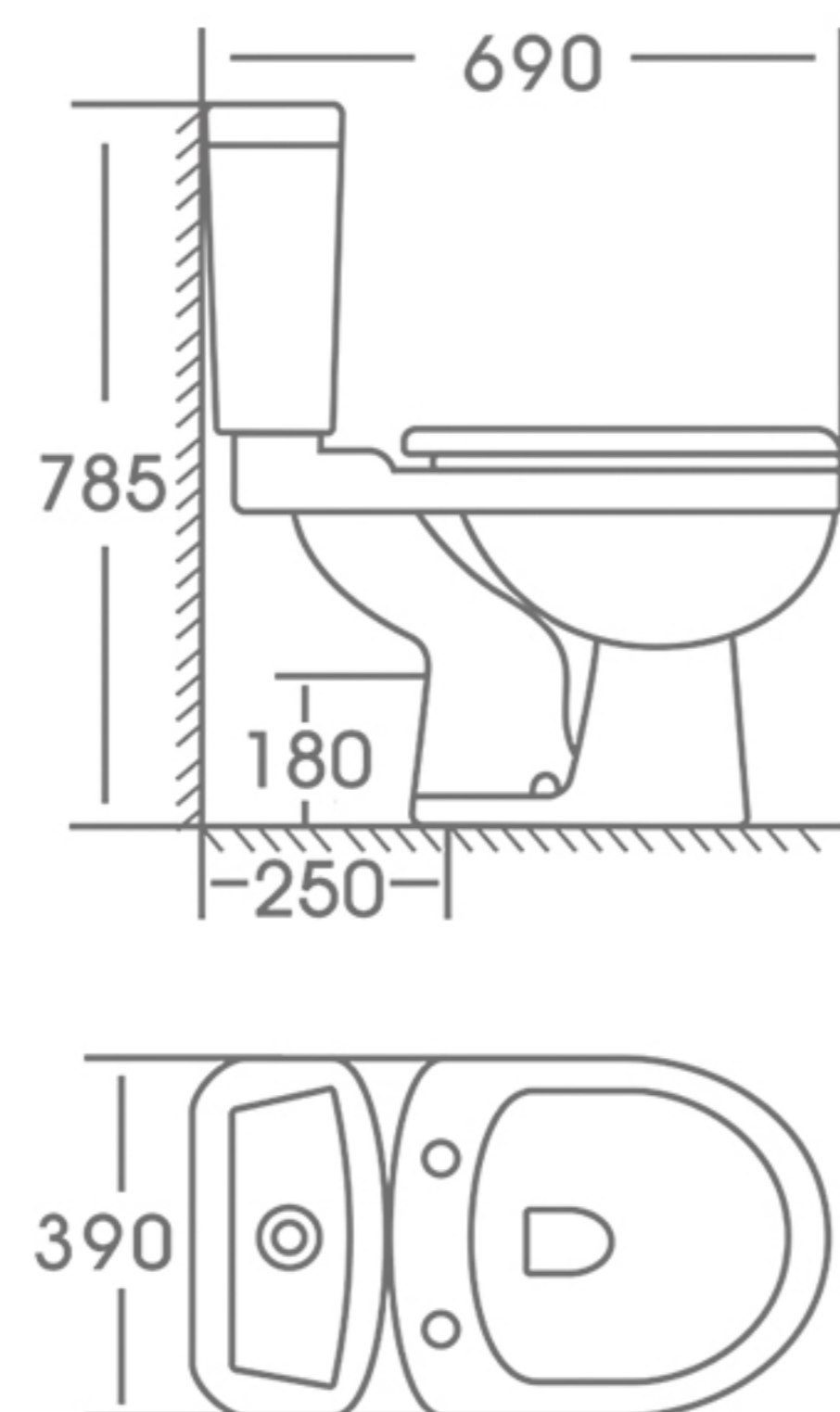
8082

Washdown Two-piece Closet

- Size: 690x390x785mm
- Vitreous china
- S-trap, 250mm Roughing-in
- P-trap, 180mm Roughing-in

直冲式分体坐便器

- 尺寸：690x390x785毫米
- 瓷质陶瓷
- 地排，排污口中心离墙250毫米
- 横排，排污口中心离地180毫米



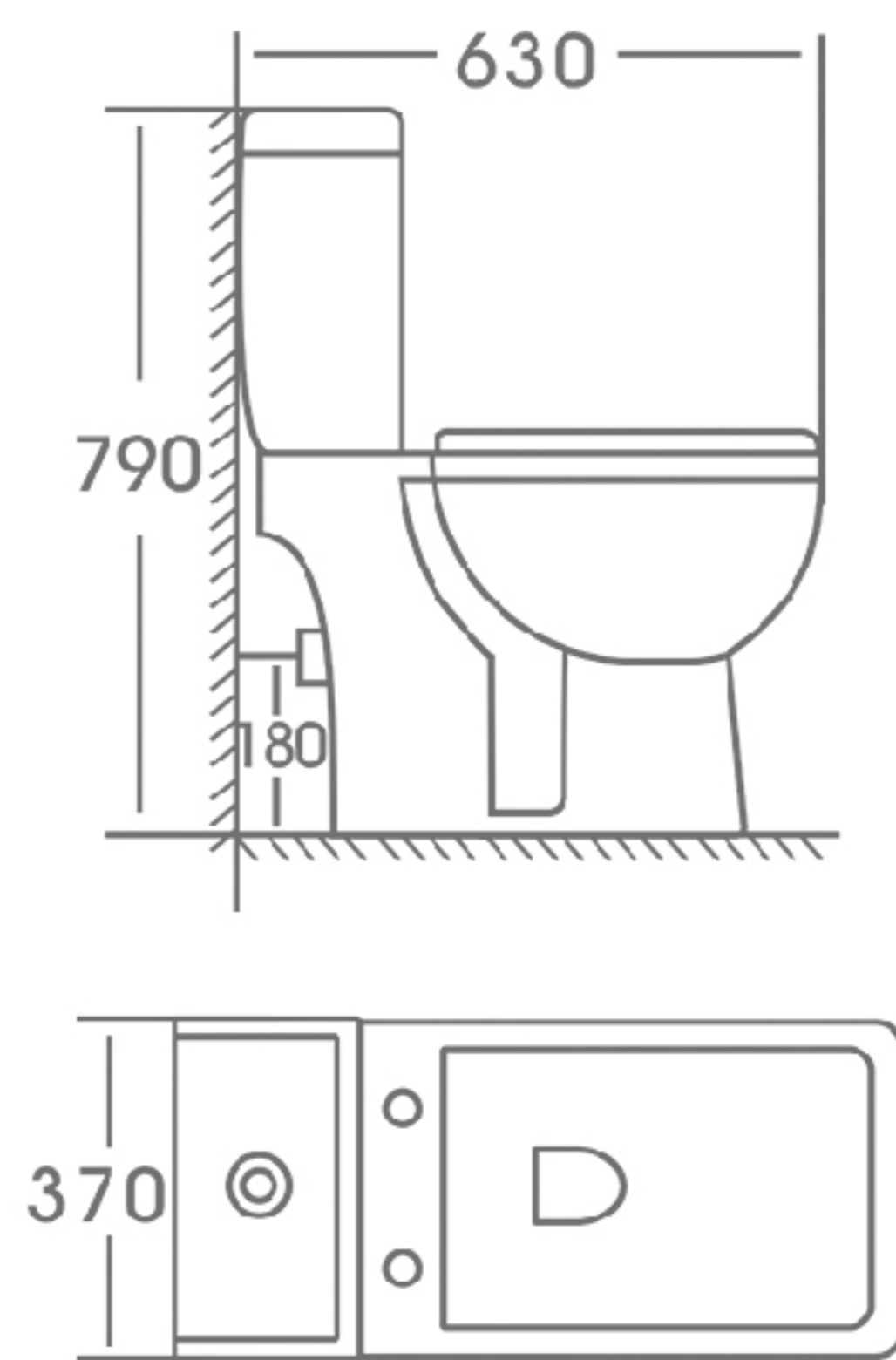
8036

Washdown Two-piece Closet

- Size: 630x340x790mm
- Vitreous china
- P-trap, 180mm Roughing-in

直冲式分体坐便器

- 尺寸：630x340x790毫米
- 瓷质陶瓷
- 横排，排污口中心离地180毫米



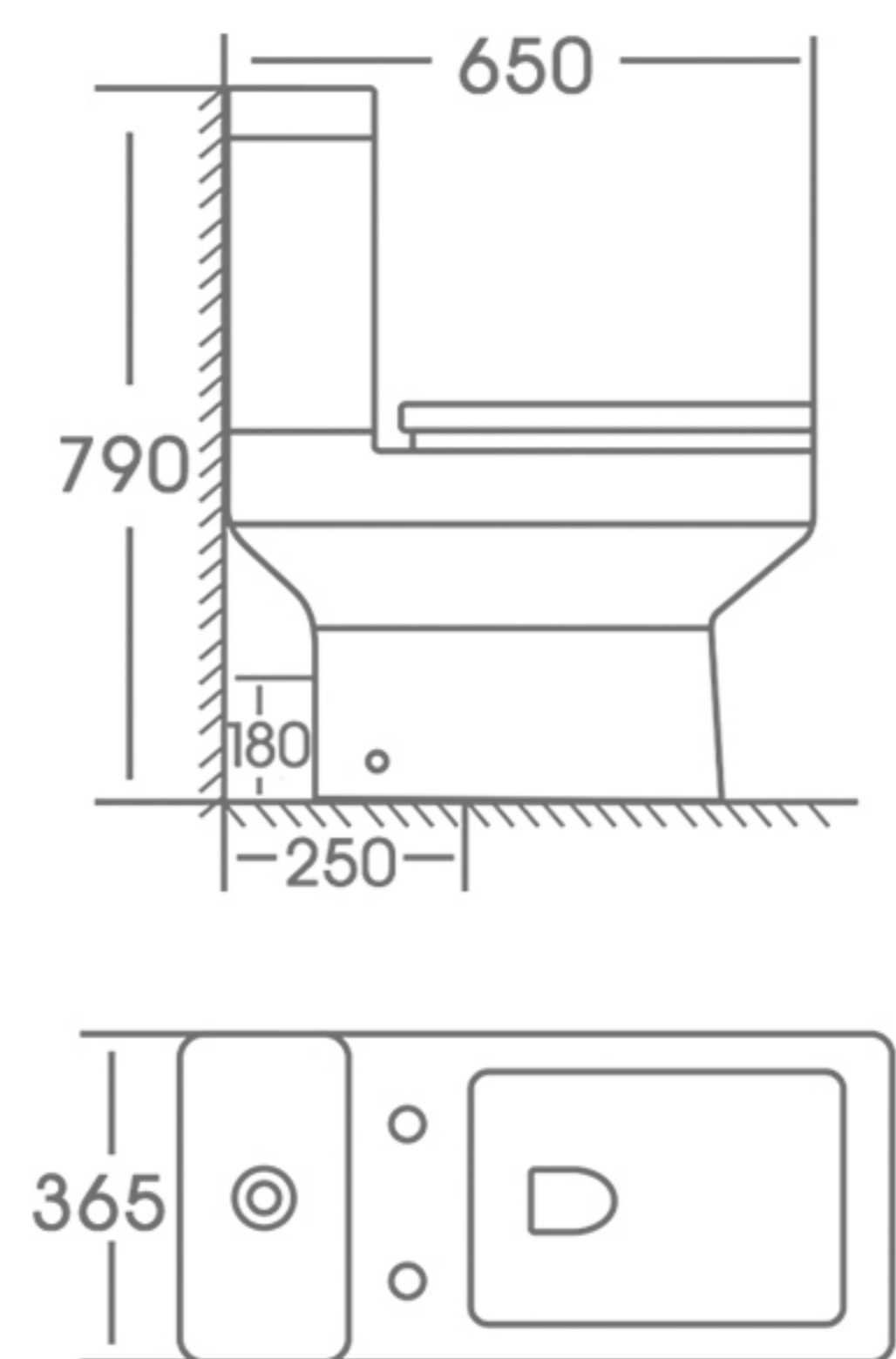
8130

Washdown Two-piece Closet

- Size: 650x365x790mm
- Vitreous china
- S-trap, 250mm Roughing-in
- P-trap, 180mm Roughing-in

直冲式分体坐便器

- 尺寸：650x365x790毫米
- 瓷质陶瓷
- 地排，排污口中心离墙250毫米
- 横排，排污口中心离地180毫米



**Clean
Experience**



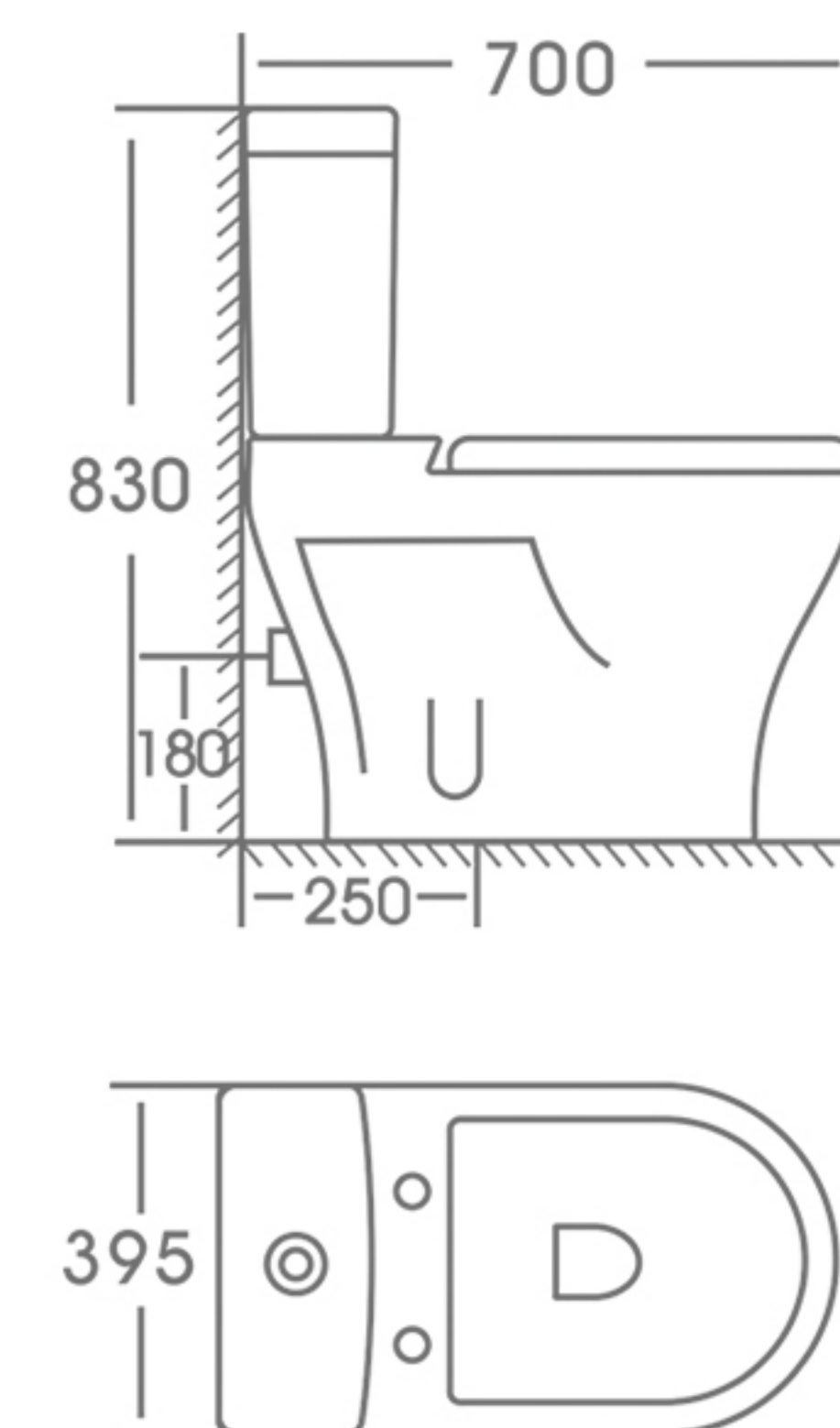
8320

Washdown Two-piece Closet

- Size: 700x395x830mm
- Vitreous china
- S-trap, 250mm Roughing-in
- P-trap, 180mm Roughing-in

直冲式分体坐便器

- 尺寸：700x395x830毫米
- 瓷质陶瓷
- 地排，排污口中心离墙250毫米
- 横排，排污口中心离地180毫米





White style



Black style

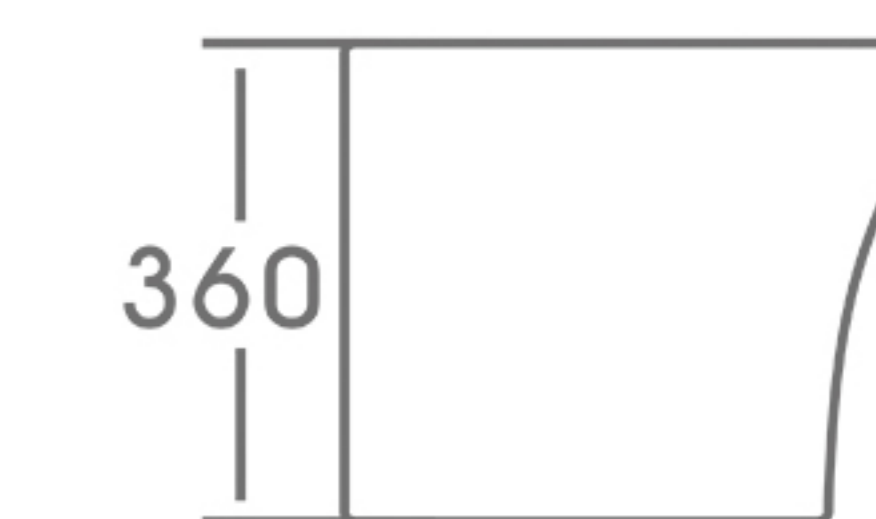
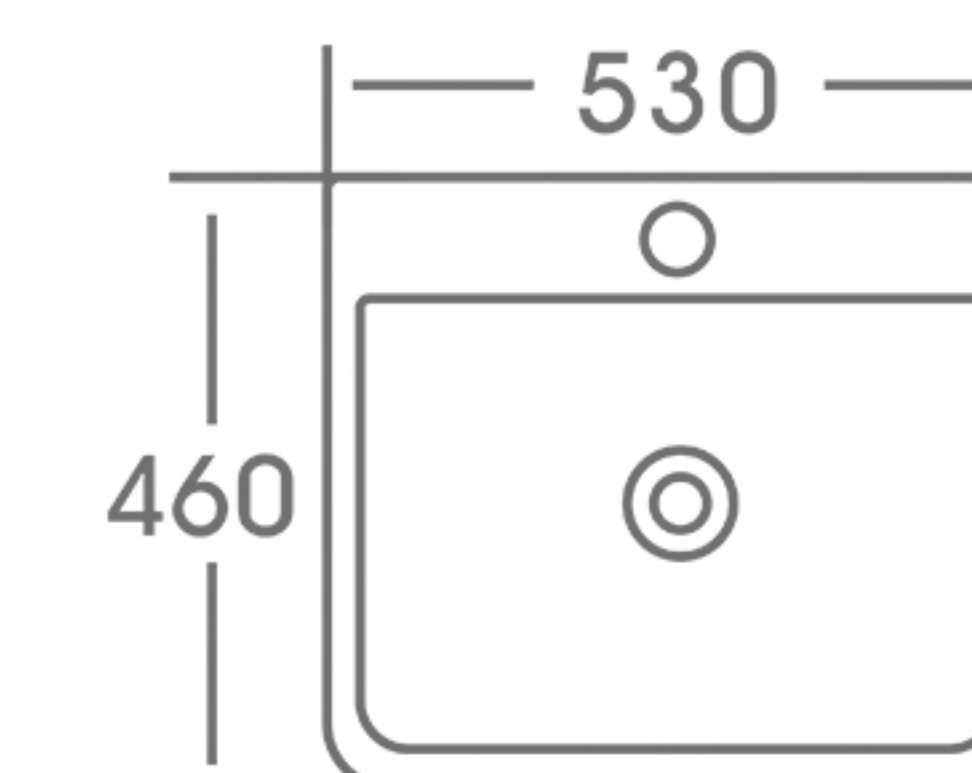
901

Wall Hung Basin

- Size: 530x460x360mm
- Vitreous china
- Fixing to wall with back

挂式洗脸盆

- 尺寸：530x460x360毫米
- 瓷质陶瓷
- 背靠墙式安装



Environmental Protection



High temperature firing



Decontamination

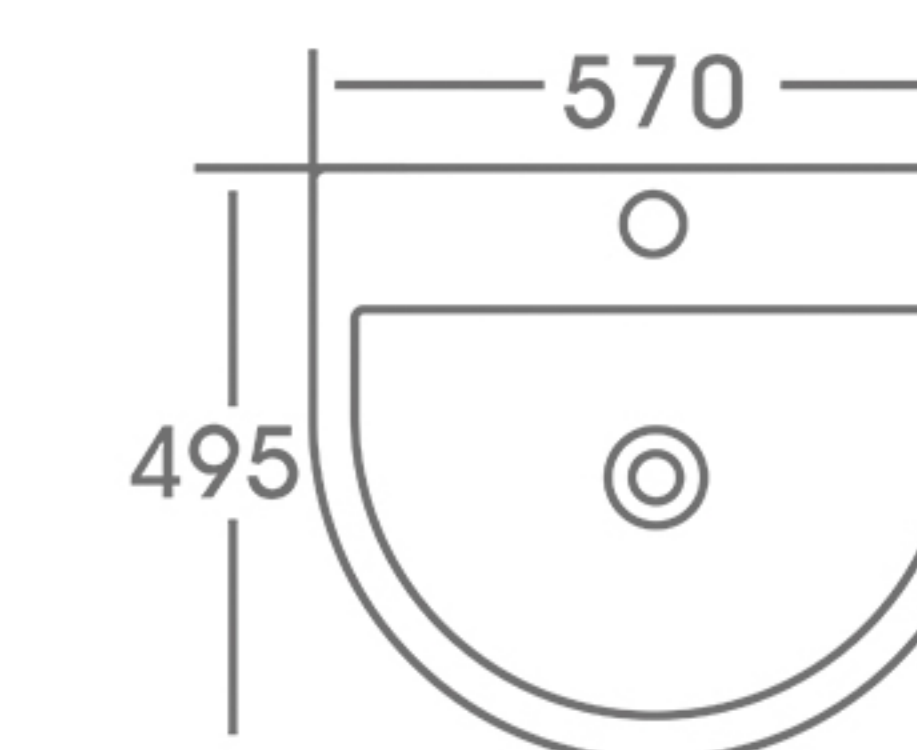
902

Wall Hung Basin

- Size: 570x495x395mm
- Vitreous china
- Fixing to wall with back

挂式洗脸盆

- 尺寸：570x495x395毫米
- 瓷质陶瓷
- 背靠墙式安装



Environmental Protection



High temperature firing



Decontamination



White style



Black style



White style



Black style

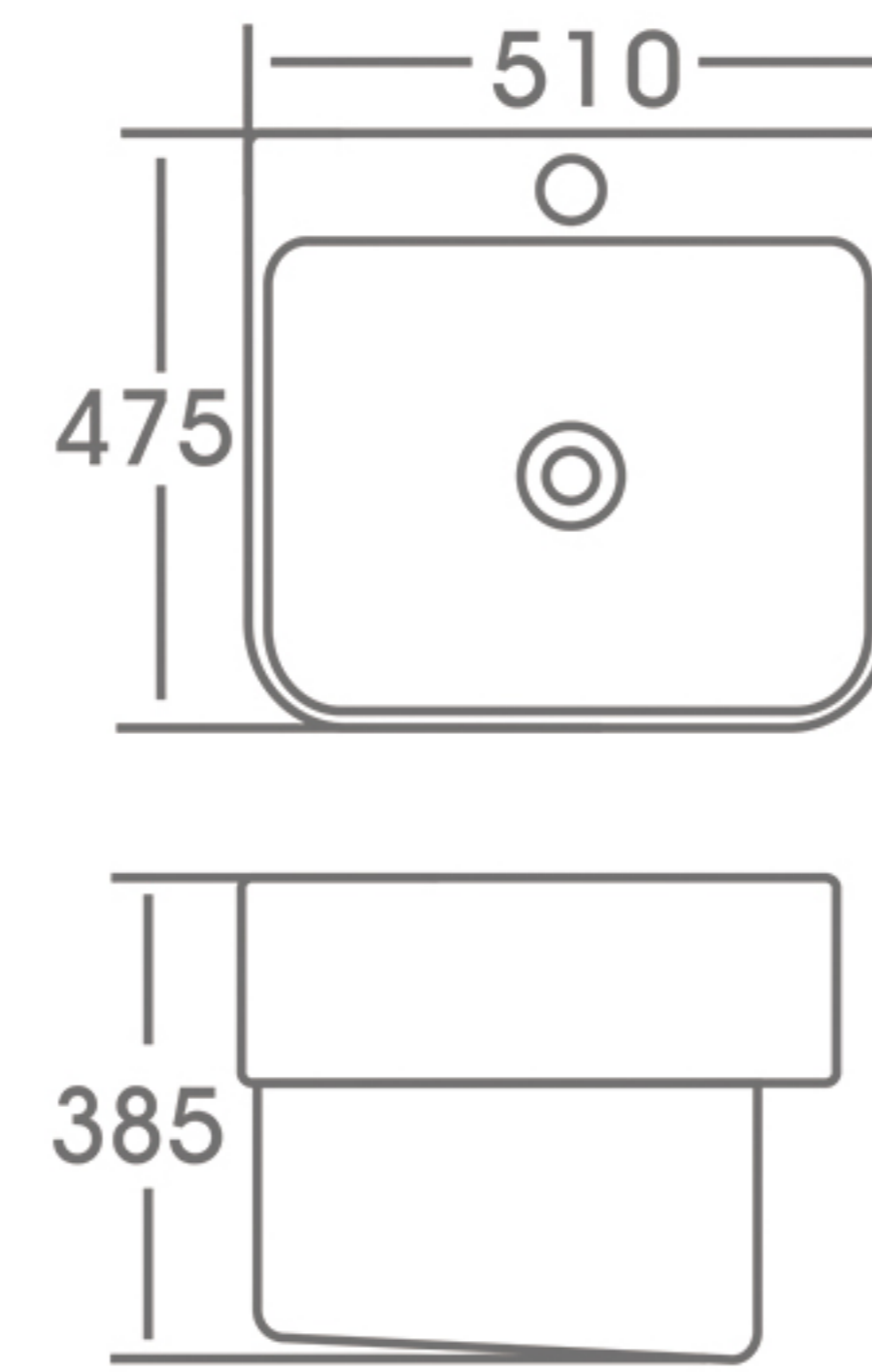
909

Wall Hung Basin

- Size: 510x475x385mm
- Vitreous china
- Fixing to wall with back

挂式洗脸盆

- 尺寸：510x475x385毫米
- 瓷质陶瓷
- 背靠墙式安装



White style



Black style

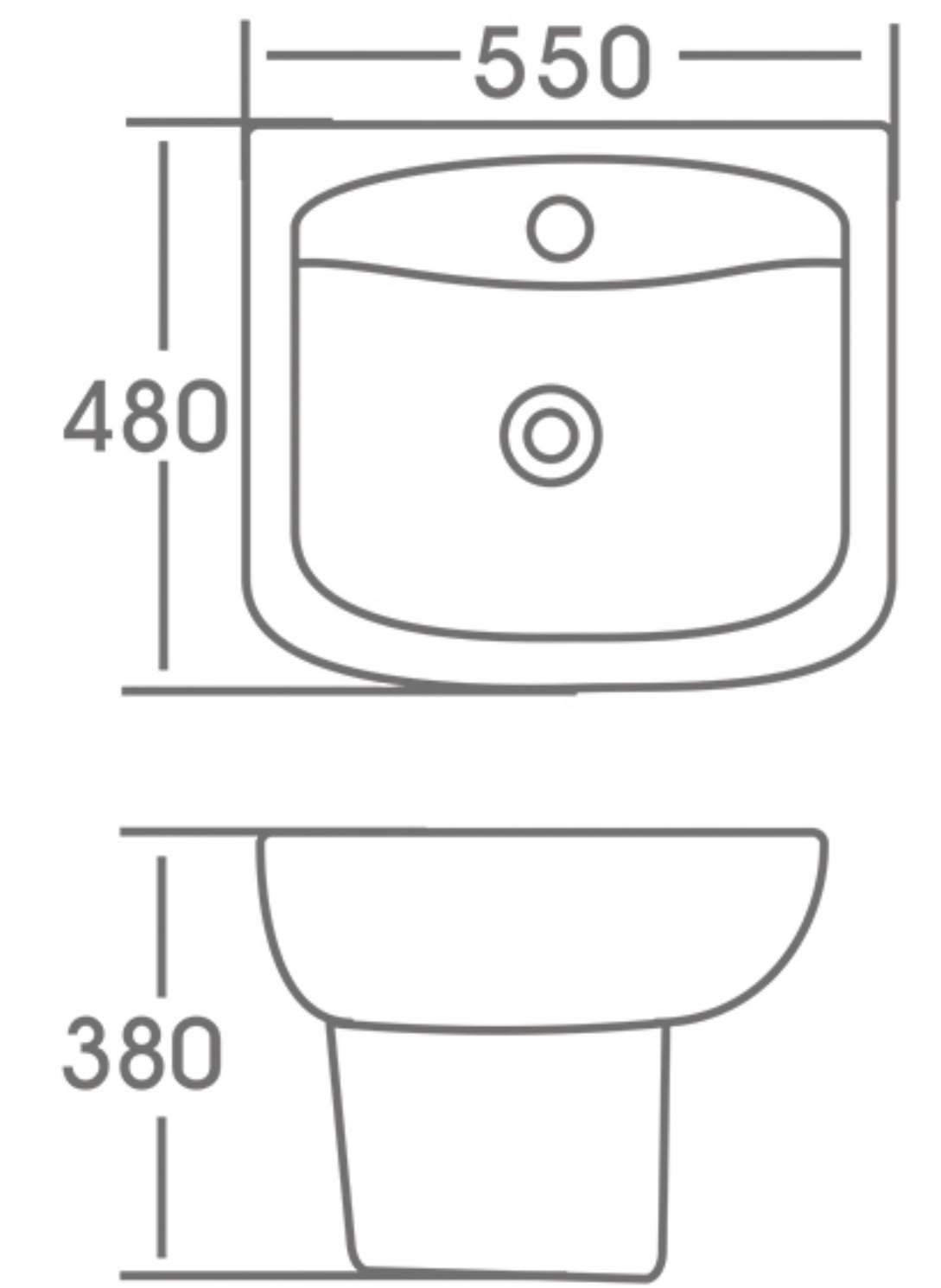
921

Wall Hung Basin

- Size: 550x480x380mm
- Vitreous china
- Fixing to wall with back

挂式洗脸盆

- 尺寸：550x480x380毫米
- 瓷质陶瓷
- 背靠墙式安装



White style



Black style

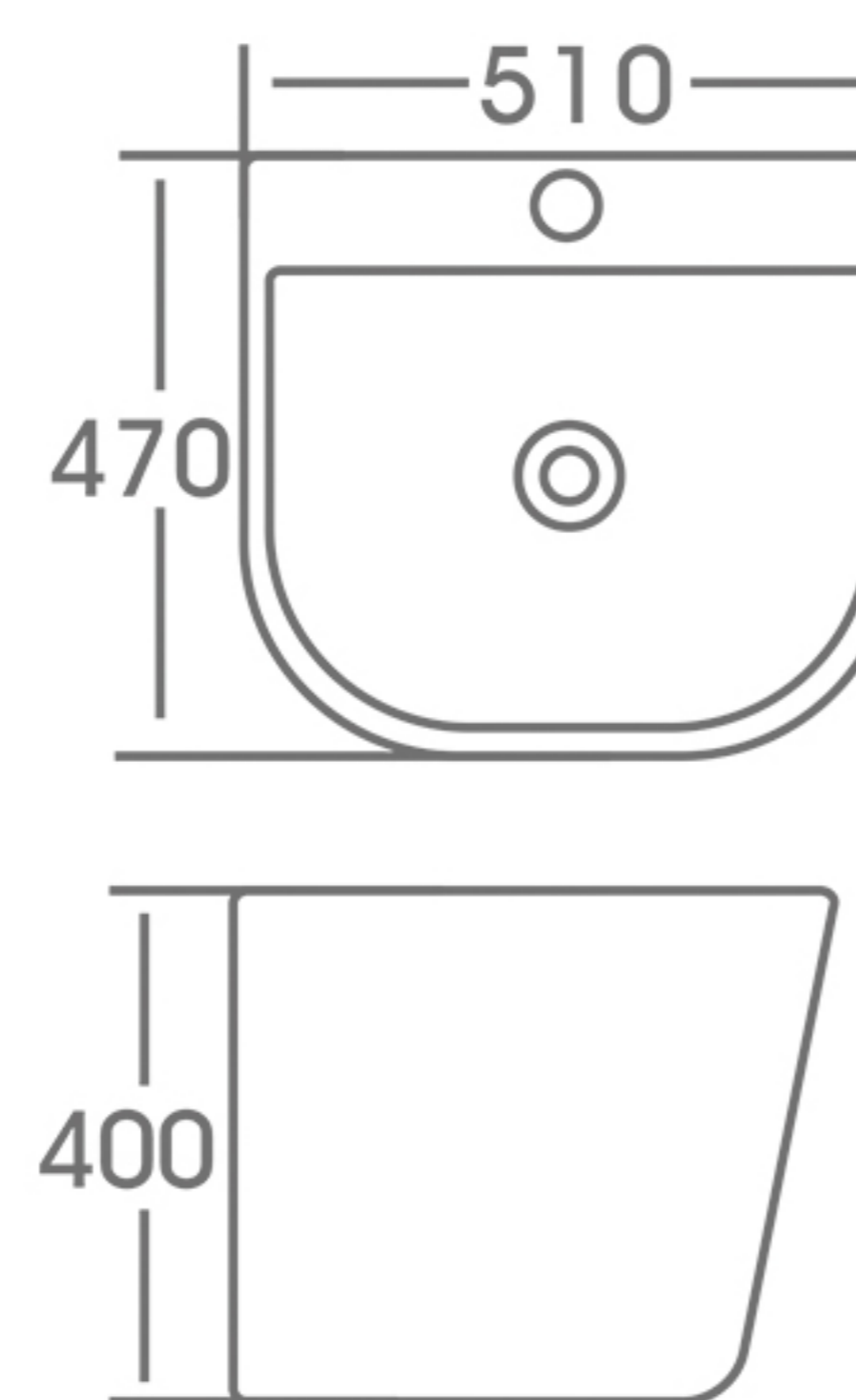
910

Wall Hung Basin

- Size: 510x475x400mm
- Vitreous china
- Fixing to wall with back

挂式洗脸盆

- 尺寸：510x475x400毫米
- 瓷质陶瓷
- 背靠墙式安装



White style



Black style

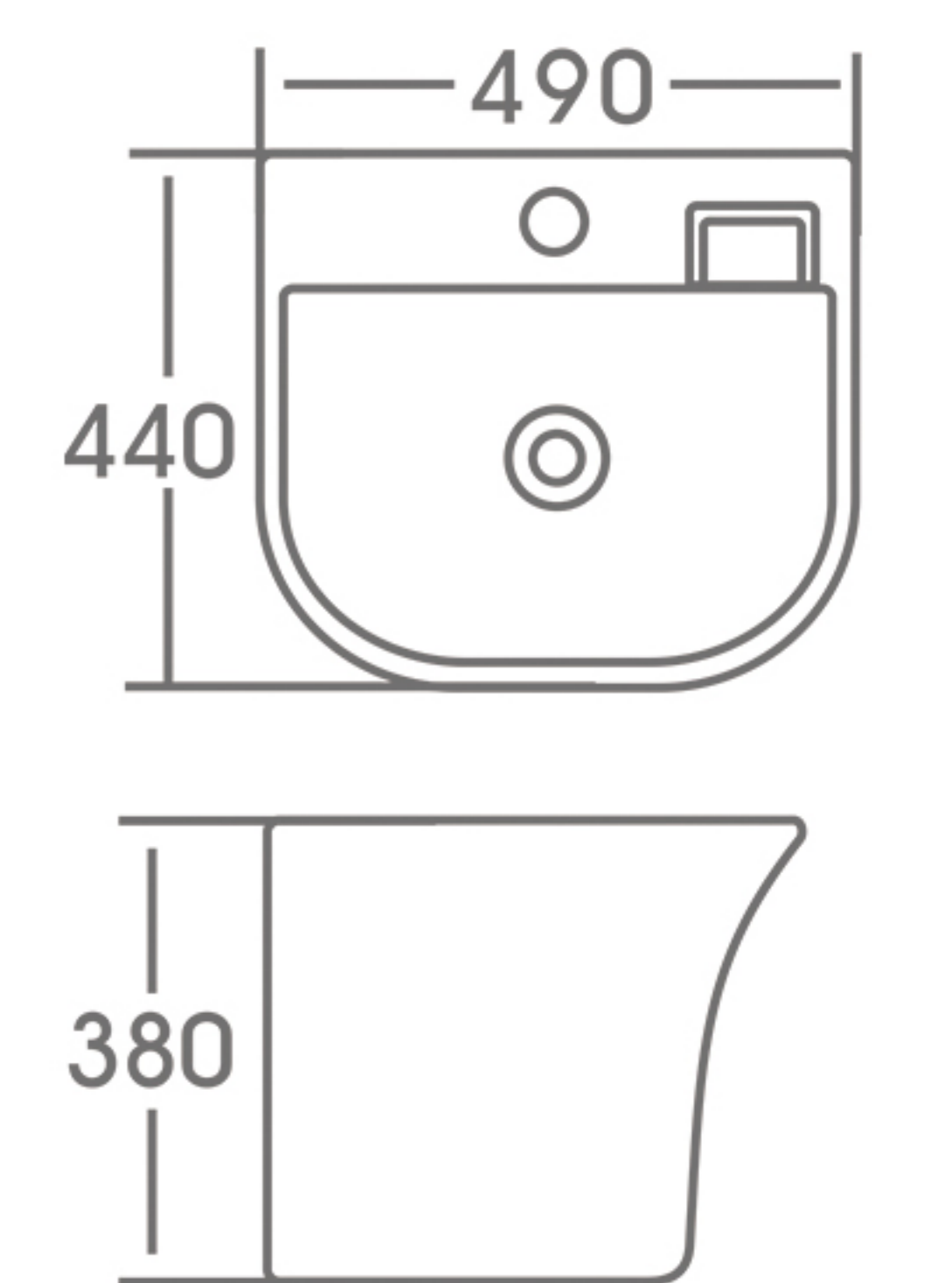
923A

Wall Hung Basin

- Size: 490x440x380mm
- Vitreous china
- Fixing to wall with back

挂式洗脸盆

- 尺寸：490x440x380毫米
- 瓷质陶瓷
- 背靠墙式安装



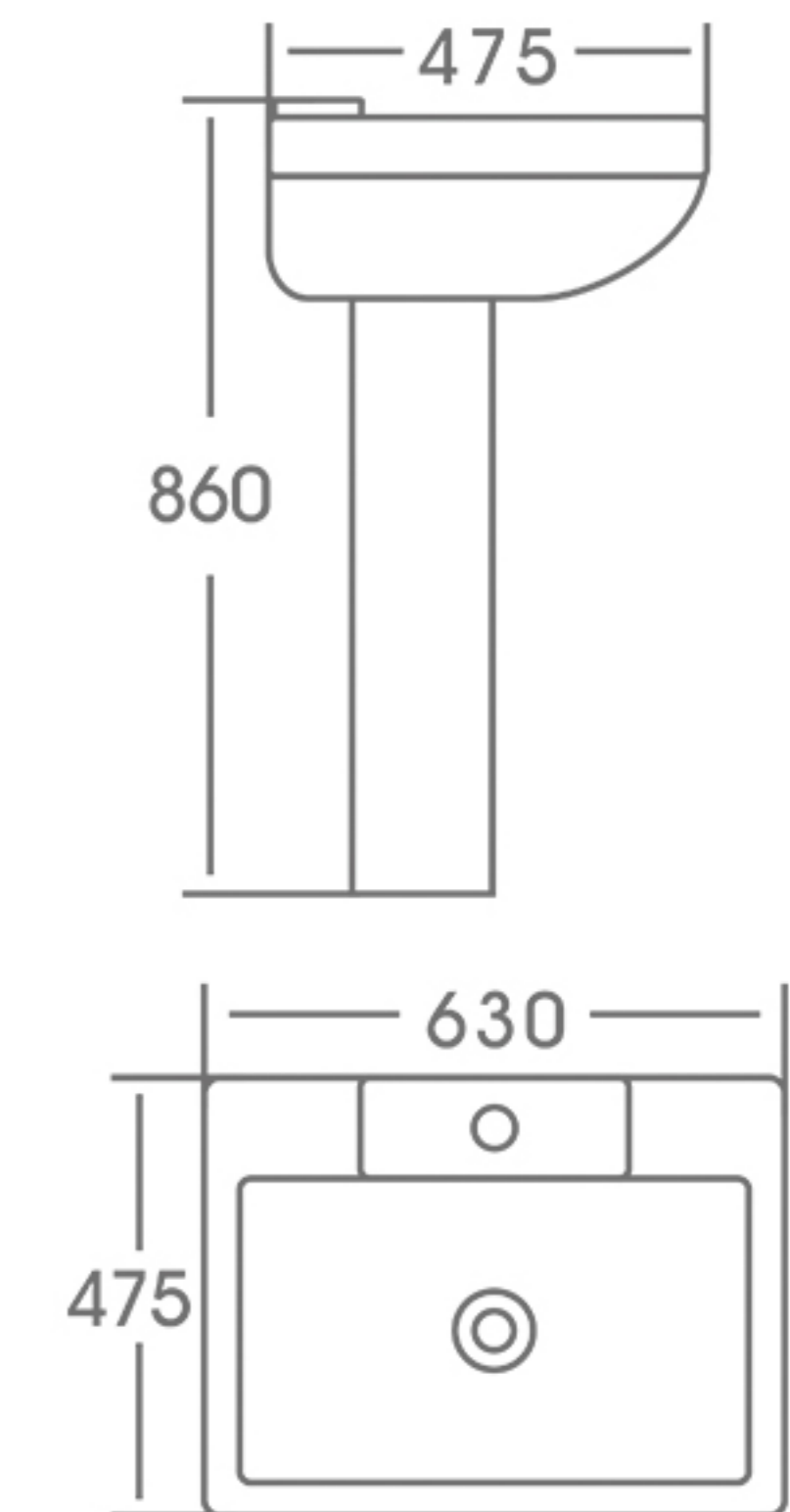
Clean life
Enjoy



32469

- 24" Pedestal Basin**
- Size: 630x475x860mm
 - Vitreous china
 - Fixing to wall with back

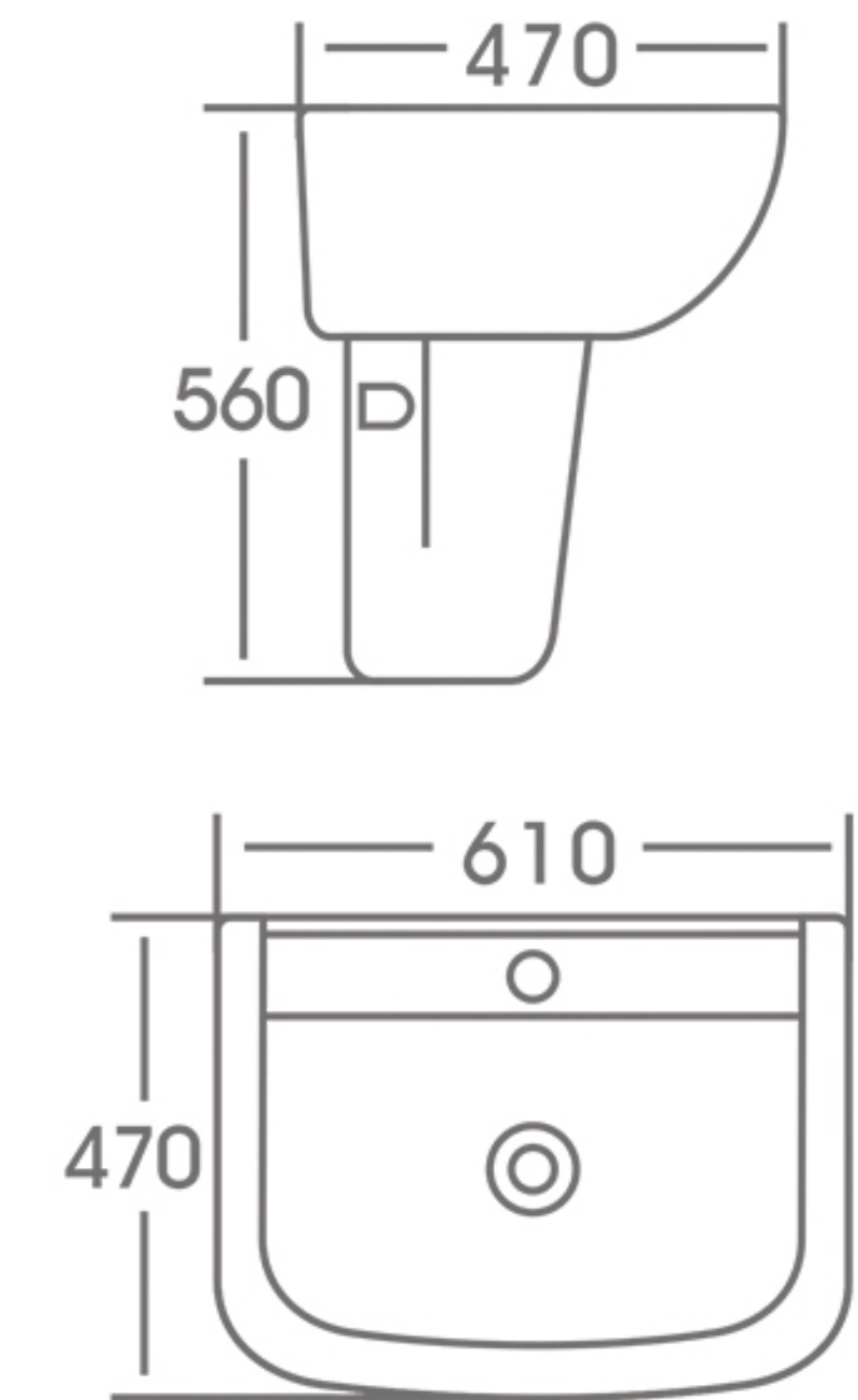
- 24"立柱盆**
- 尺寸：630x475x860毫米
 - 瓷质陶瓷
 - 背靠墙式安装



B32430

- 24" Wall-Hung Basin**
- Size: 610x470x560mm
 - Vitreous china
 - Fixing to wall with back

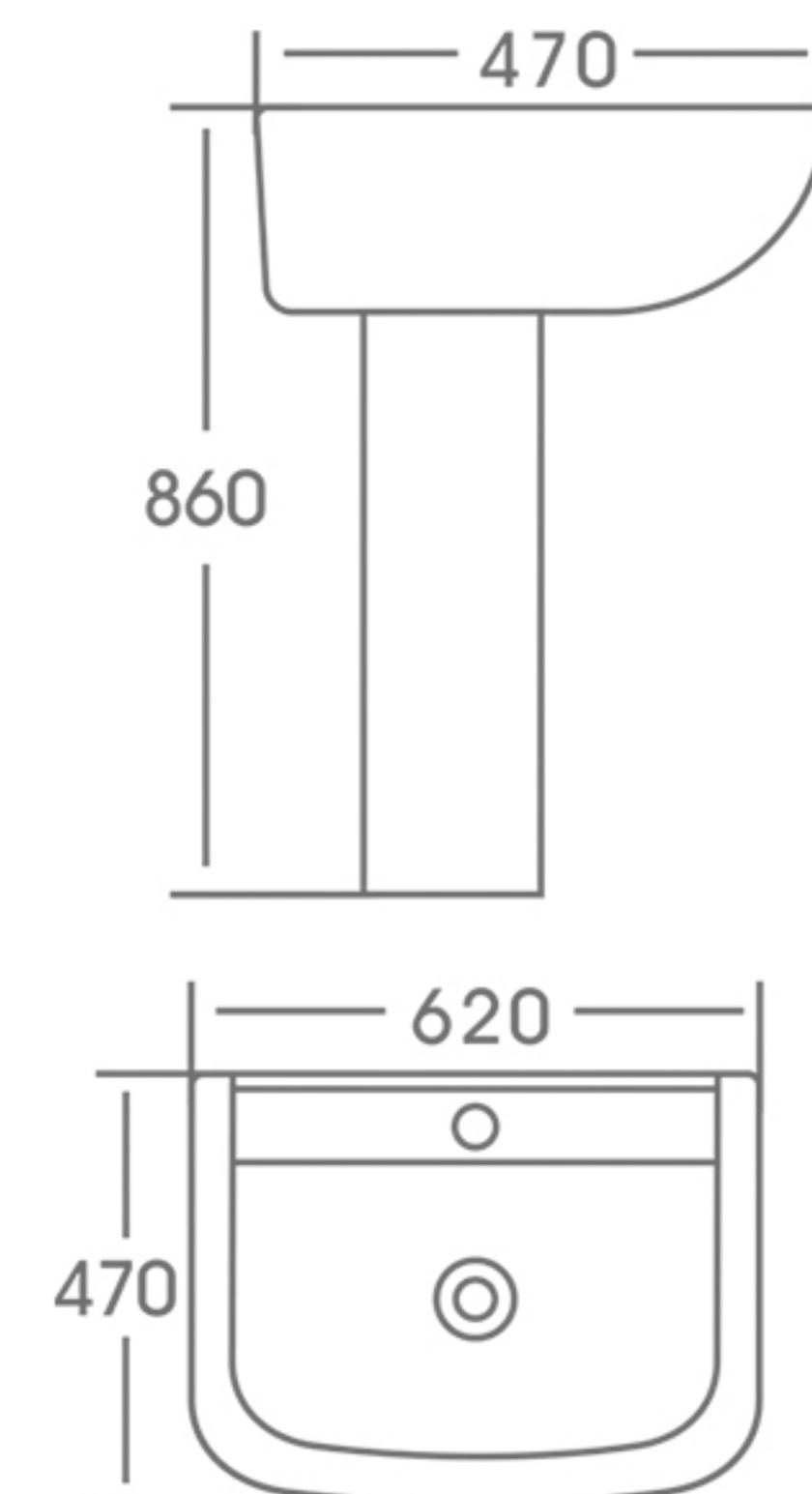
- 24"挂盆**
- 尺寸：610x470x560毫米
 - 瓷质陶瓷
 - 背靠墙式安装



32430

- 24" Pedestal Basin**
- Size: 610x475x850mm
 - Vitreous china
 - Fixing to wall with back

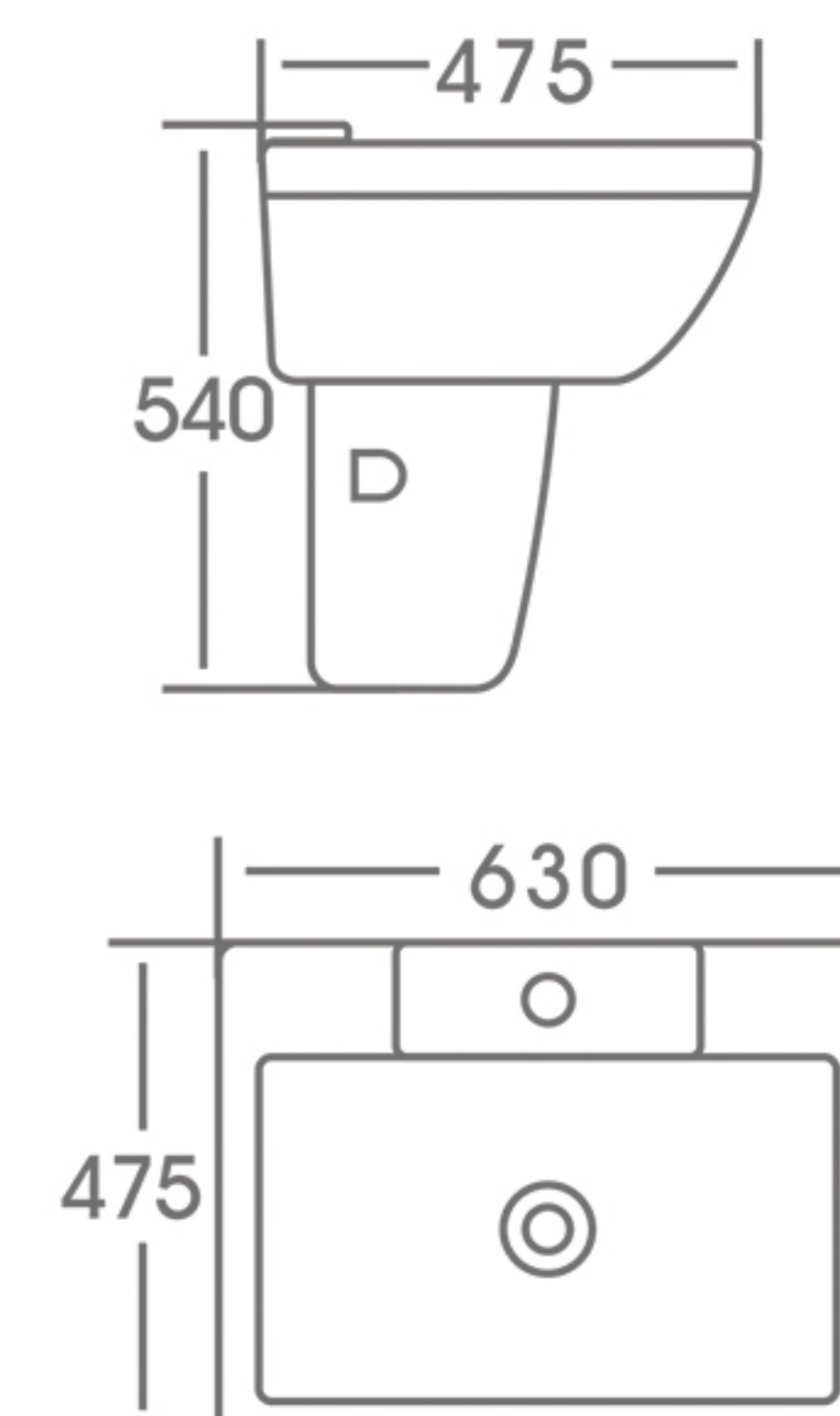
- 24"立柱盆**
- 尺寸：610x475x850毫米
 - 瓷质陶瓷
 - 背靠墙式安装



B32469

- 24" Wall-Hung Basin**
- Size: 630x475x540mm
 - Vitreous china
 - Fixing to wall with back

- 24"挂盆**
- 尺寸：630x475x540毫米
 - 瓷质陶瓷
 - 背靠墙式安装





2035

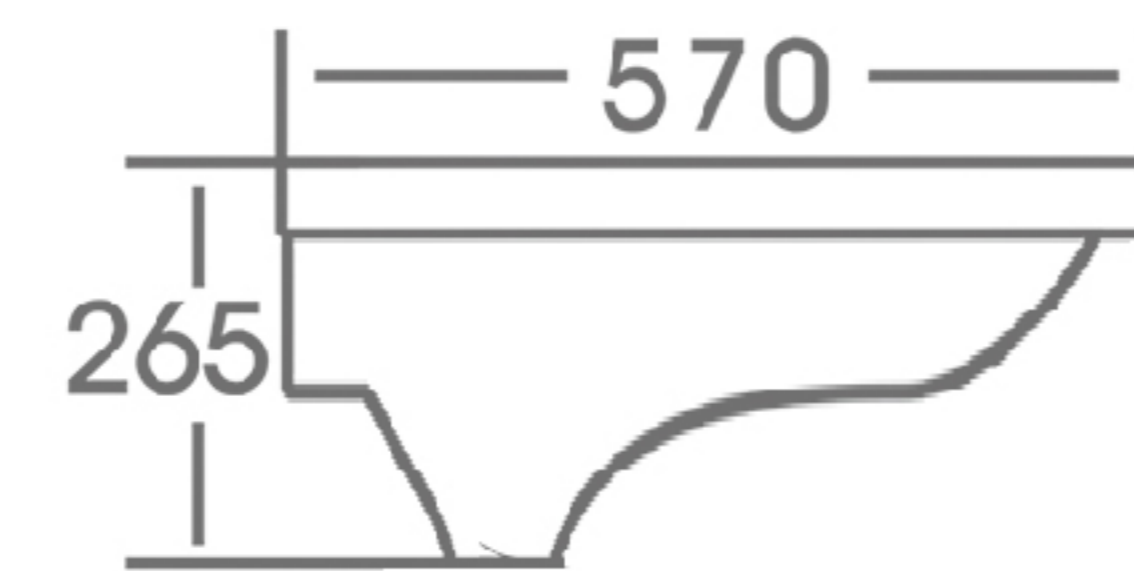
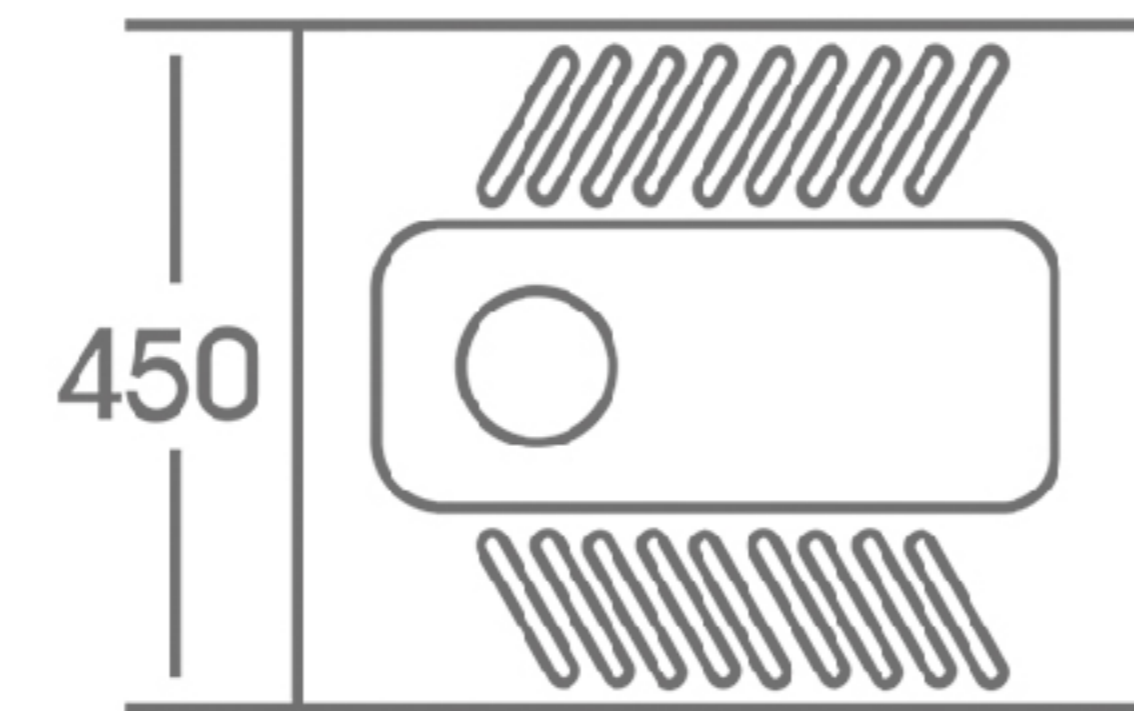
Squatting Pan W.C.

- Size: 570x450x265mm
- Vitreous china
- Build-in platform
- Gravity-fed flushing system



蹲便器

- 尺寸：570x450x265毫米
- 瓷质陶瓷
- 入地式脚踏板
- 直冲式冲水系统



2037

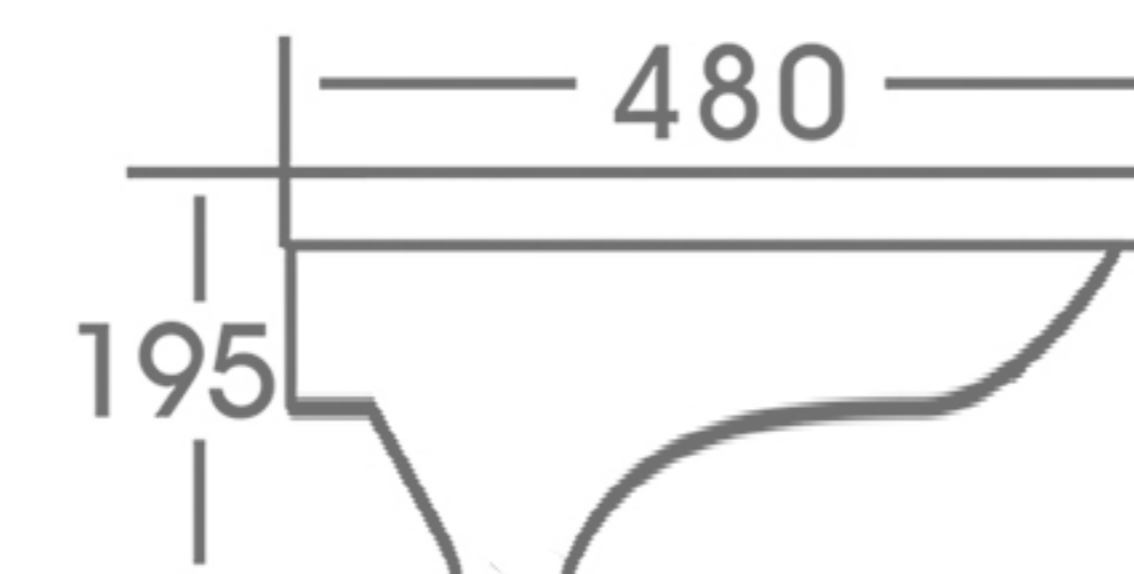
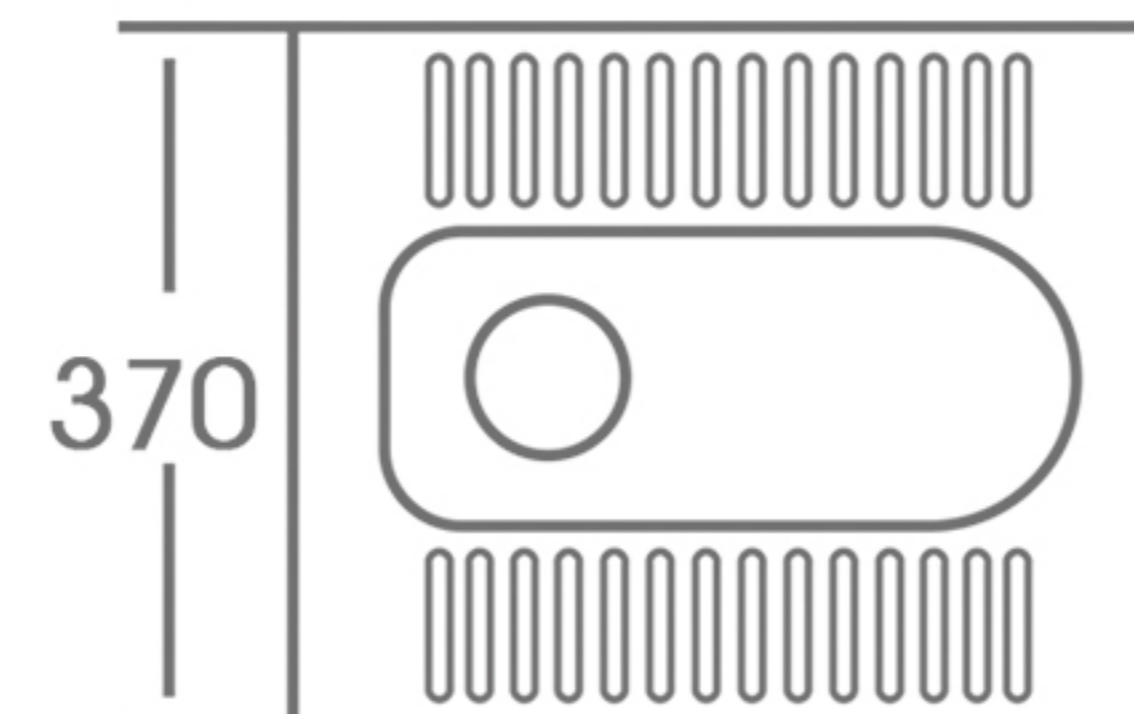
Squatting Pan W.C.

- Size: 480x370x195mm
- Vitreous china
- Build-in platform
- Gravity-fed flushing system



蹲便器

- 尺寸：480x370x195毫米
- 瓷质陶瓷
- 入地式脚踏板
- 直冲式冲水系统



T5252

蹲便器水箱

- 尺寸：390x120x390毫米
- PP材质
- 背靠墙式安装

Water Tank

- Size: 390x120x390mm
- Material: PP
- Fixing to wall with back



T5254

蹲便器水箱

- 尺寸：385x95x385毫米
- PP材质
- 背靠墙式安装

Water Tank

- Size: 385x95x385mm
- Material: PP
- Fixing to wall with back



T5255

蹲便器水箱

- 尺寸：380x125x380毫米
- PP材质
- 背靠墙式安装

Water Tank

- Size: 380x125x380mm
- Material: PP
- Fixing to wall with back



T5262

蹲便器水箱

- 尺寸：372x114x400毫米
- PP材质
- 背靠墙式安装

Water Tank

- Size: 372x114x400mm
- Material: PP
- Fixing to wall with back



T5267

蹲便器水箱

- 尺寸：360x105x380毫米
- PP材质
- 背靠墙式安装

Water Tank

- Size: 360x105x380mm
- Material: PP
- Fixing to wall with back



T5269

蹲便器水箱

- 尺寸：375x120x405毫米
- PP材质
- 背靠墙式安装

Water Tank

- Size: 375x120x405mm
- Material: PP
- Fixing to wall with back



T5282

蹲便器水箱

- 尺寸：382x88x440毫米
- PP材质
- 背靠墙式安装

Water Tank

- Size: 382x88x440mm
- Material: PP
- Fixing to wall with back



H-02

隐藏式水箱

• Size: 510x80x1080mm

Hidden Water Tank

• Size: 510x80x1080mm



H-03

隐藏式水箱

• Size: 580x80x1090mm

Hidden Water Tank

• Size: 580x80x1090mm



H-04

隐藏式水箱

• Size: 580x80x1090mm

Hidden Water Tank

• Size: 580x80x1090mm



H-05

隐藏式水箱

• Size: 580x80x1140mm

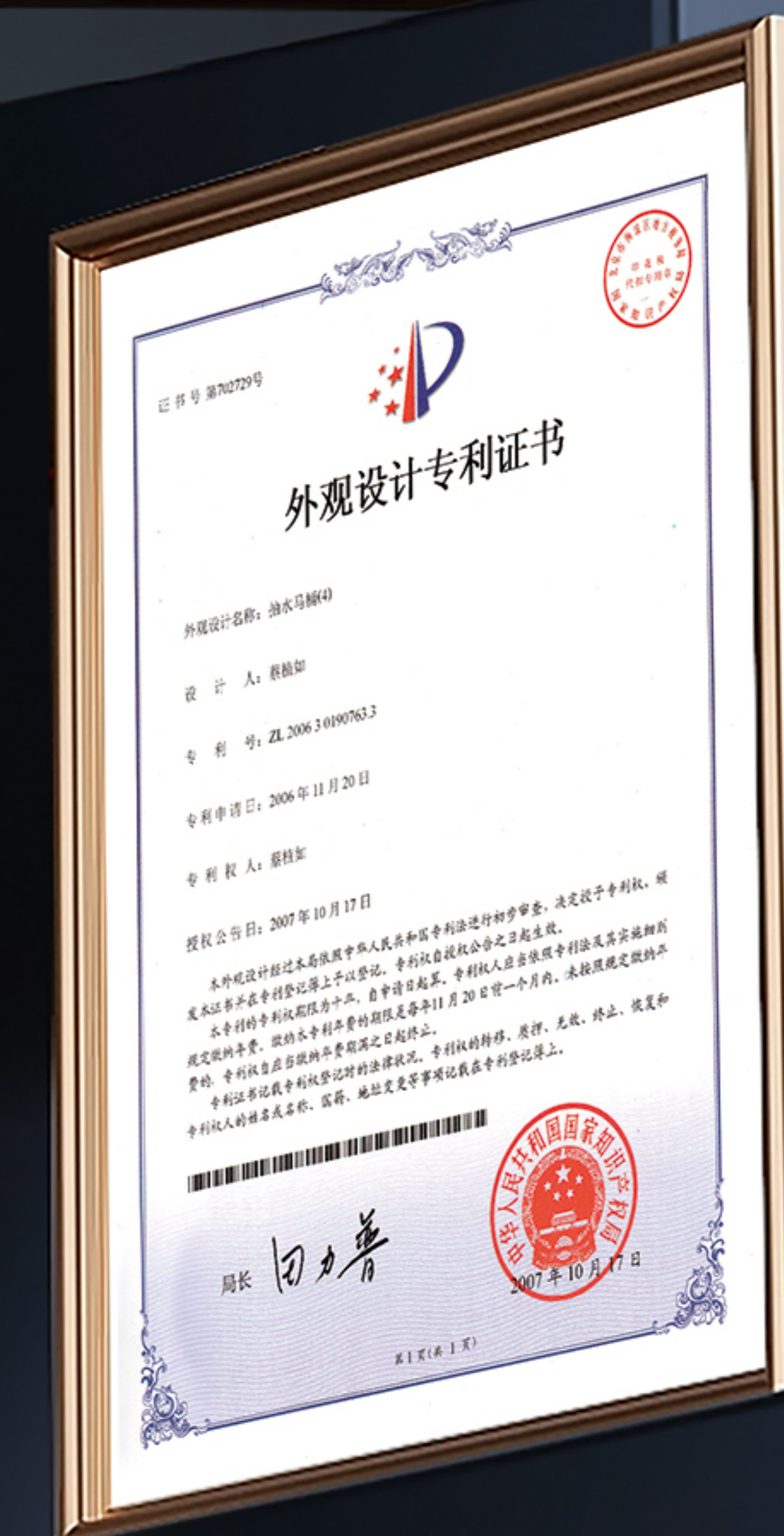
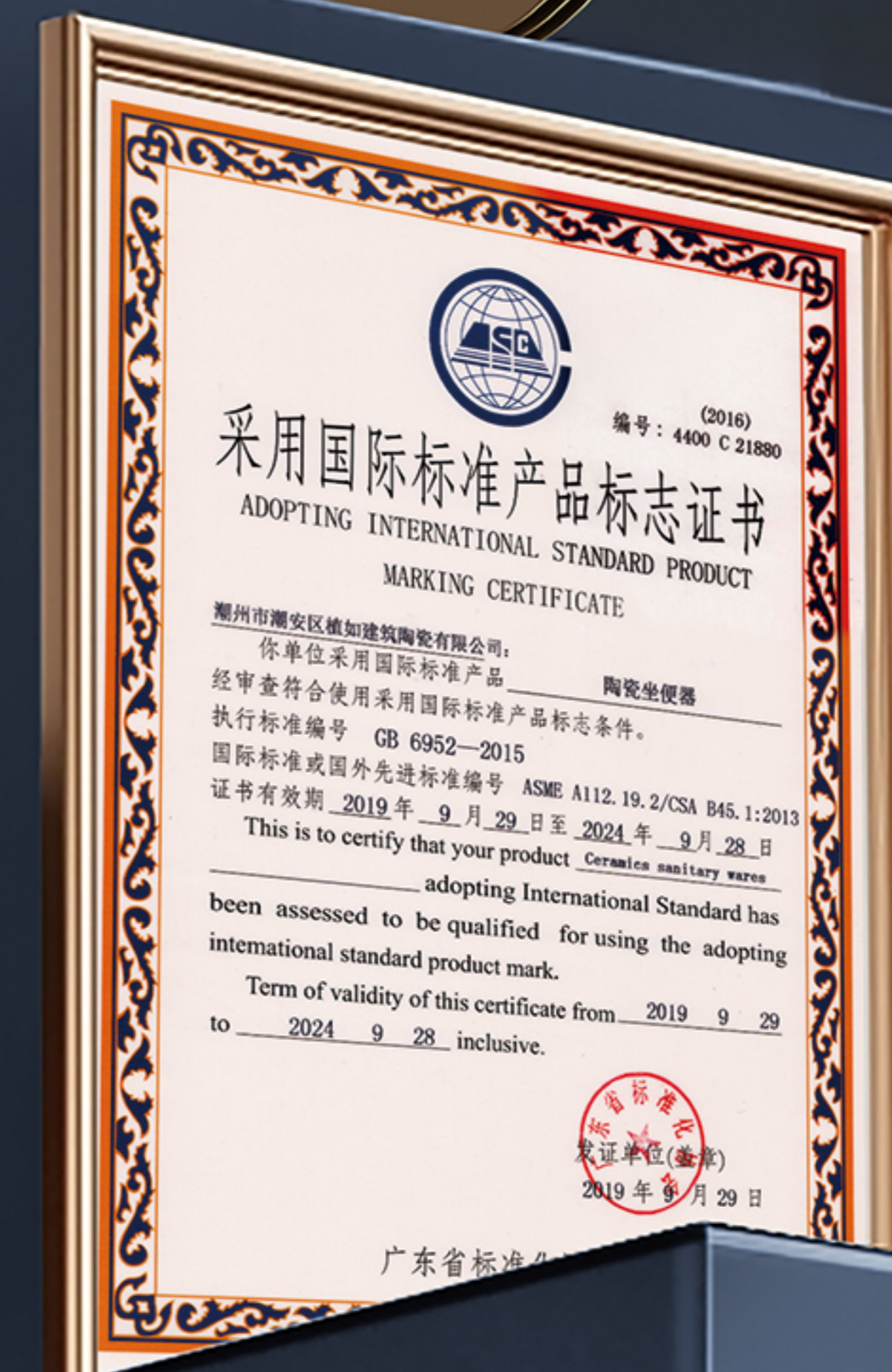
Hidden Water Tank

• Size: 580x80x1140mm

BRAND POWER
品牌力量 专业资质



ISO9001: 2005
ISO14001: 2015
ISO45001: 2018



德国技术，意大利风格 